

3.2. Carrier Cutoff Tab

Cutoff tab shall not exceed .015.

3.3. Bellmouth

- A. Rear bellmouth length shall be .005-.020.
- B. Front bellmouth length shall not exceed .010.

3.4. Conductor Location

End of the wire shall lay flat and extend .047 maximum out the front end of the wire barrel after crimping.

3.5. Alignment

- A. Contact center to center distance shall be within the limits specified in Figure 2 during shearing and crimping of wire lead.

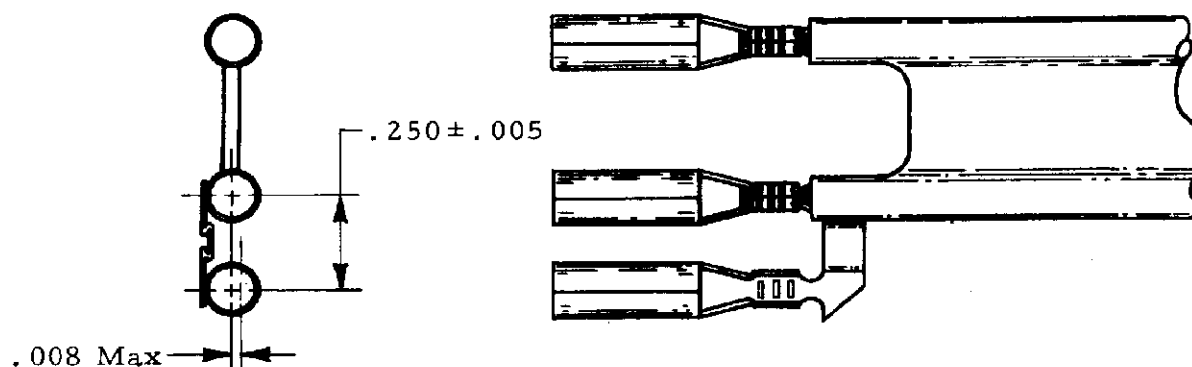


Figure 2

- B. Relief angle shall be within the limits specified in Figure 3.

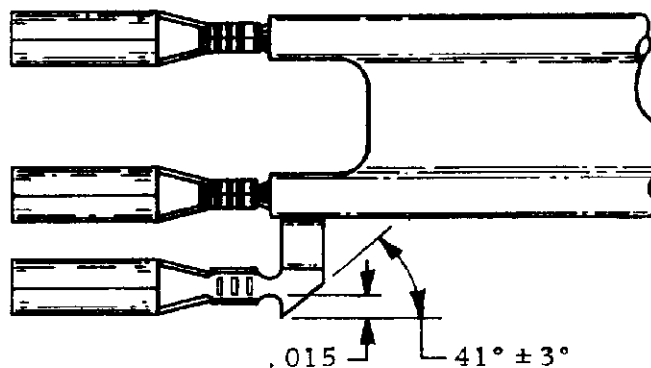


Figure 3

AMP

AMP INCORPORATED
Harrisburg, Pa. 17105

LOC
B

SHEET
2 OF 3

NO
114-2080

REV
0

C. Contact shall not be bent above or below the datum line more than the amount shown in Figure 4.

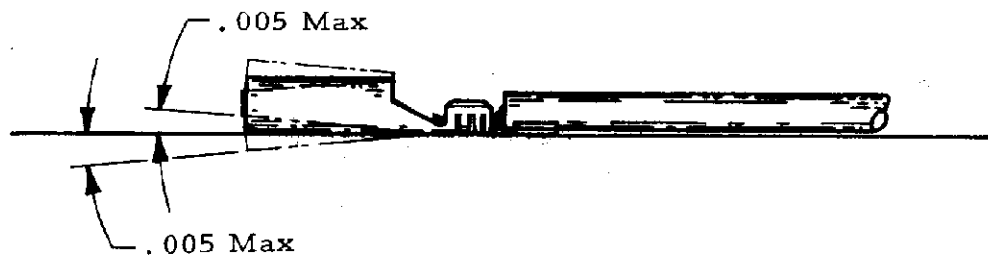


Figure 4

AMP

AMP INCORPORATED
Harrisburg, Pa. 17105

LOC
B

SHEET
3 OF 3

NO
114-2080

REV
0