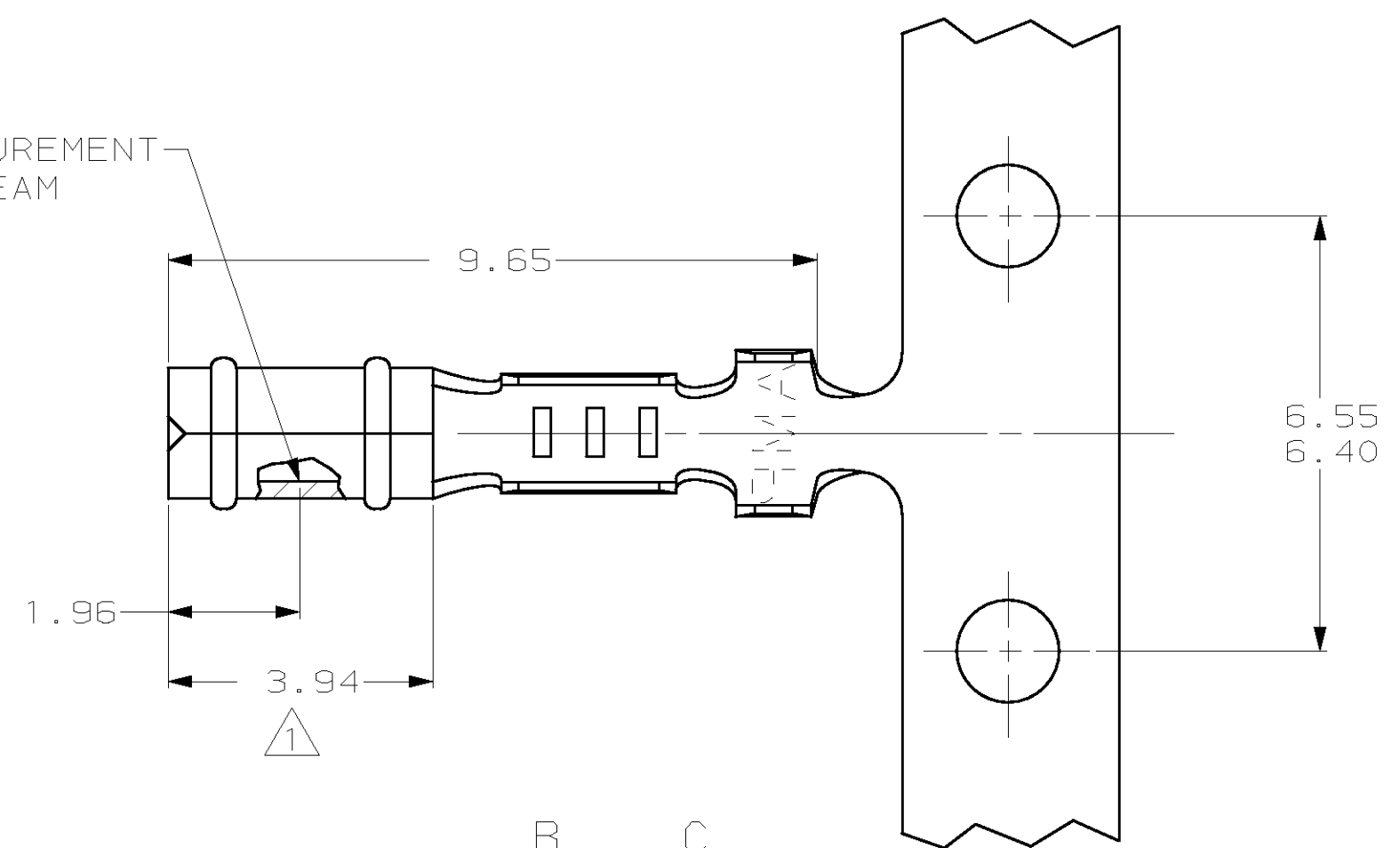


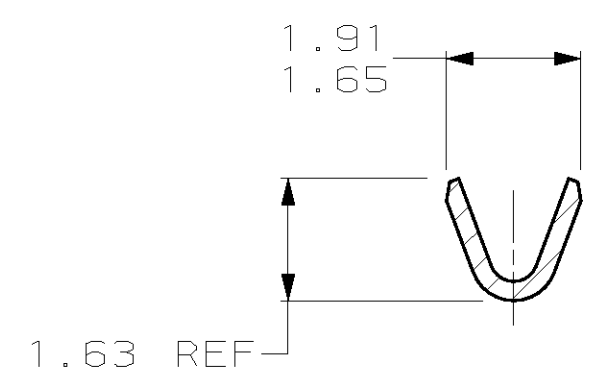
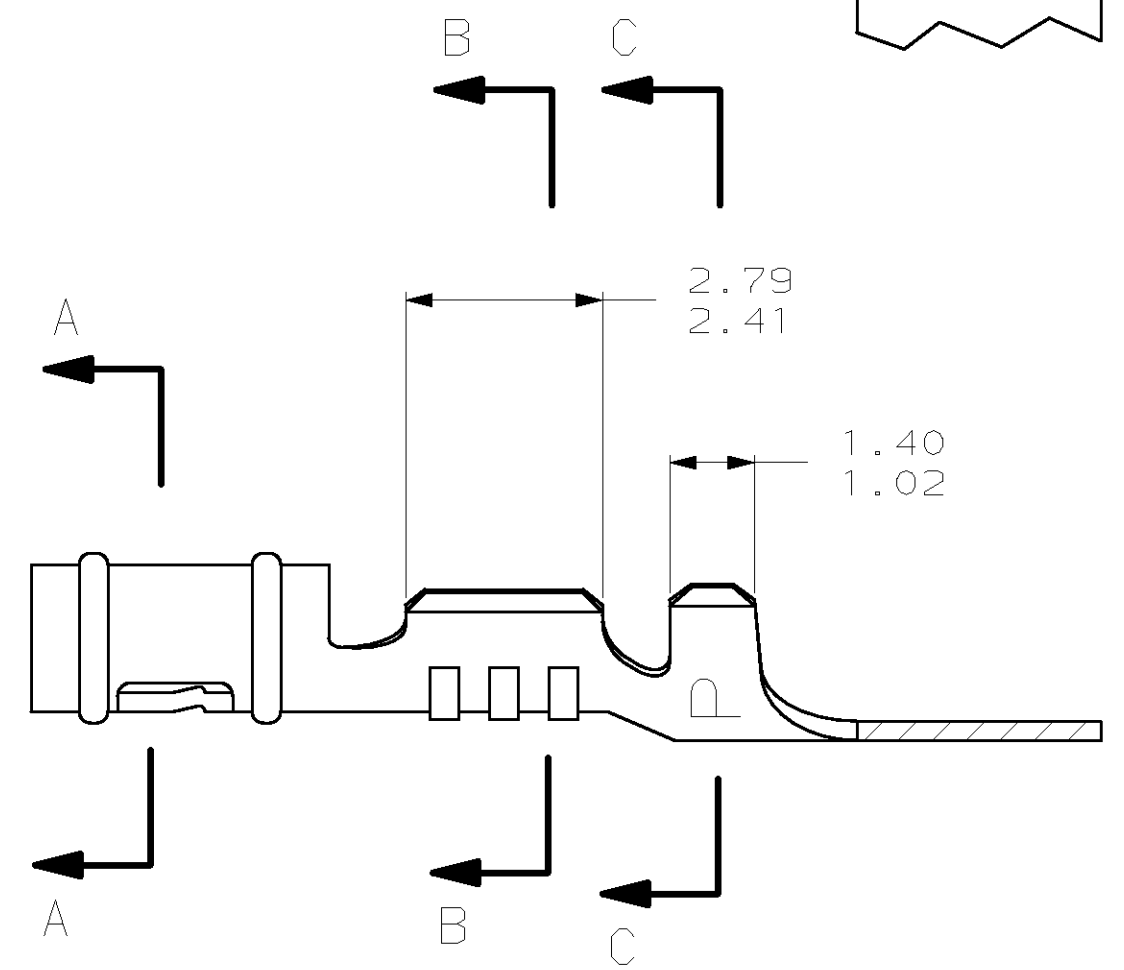
LOC	DIST	REVISIONS			
P	LTR	DESCRIPTION	DATE	DWN	APVD
CM	52	V	REV & REDWN PER EC 0L30-0146-97	5-15-97	TB RS

- 1. 0.00076 MIN SELECTIVE GOLD PLATING ON INSIDE OF RECEPTACLE OVER NICKEL OVER ALL UNDERPLATE.
- 2. WIRE RANGE: 0.12 - 0.4 MM<sup>2</sup> (26 - 22 AWG)
- 3. INSULATION RANGE: 0.89 - 1.65

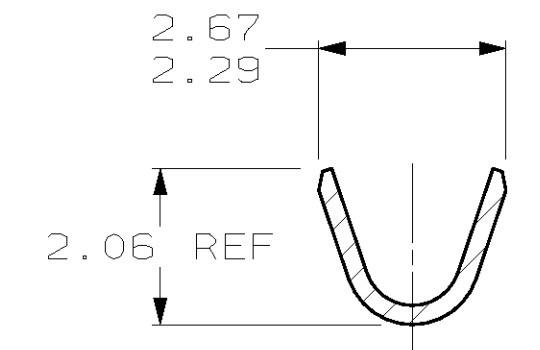
POINT OF MEASUREMENT  
 1 90° FROM SEAM



SECTION A-A



SECTION B-B



SECTION C-C

1	0.25 BE COPPER	60888-4
2	MATTE TIN	0.25 BE COPPER
3	0.25 PH BRZ	60888-2
4	PRE-TIN	0.25 PH BRZ
5	FINISH	MATERIAL
		PART NUMBER

MM	IN	MM	IN	MM	IN	MM	IN
1.359	.0535	1.91	.075	2.79	.110	-	-
1.02	.040	1.65	.065	2.67	.105	-	-
0.89	.035	1.63	.064	2.41	.095	9.65	.380
0.25	.010	1.486	.0585	2.29	.090	6.55	.258
0.13	.005	1.47	.058	2.06	.081	6.40	.252
0.00076	.000030	1.40	.055	1.96	.077	3.94	.155
MM	IN	MM	IN	MM	IN	MM	IN

CONVERSION TABLE



THIS DRAWING IS A CONTROLLED DOCUMENT.

DIMENSIONS:	TOLERANCES UNLESS OTHERWISE SPECIFIED:	DWN	5-15-97
mm		T. BECK	
		CHK	5-15-97
		R. SWING	
		APVD	8-08-97
		A. BEDDICK	
		PRODUCT SPEC	
		APPLICATION SPEC	
		WEIGHT	
MATERIAL	SEE TABLE	FINISH	SEE TABLE

AMP Incorporated  
 Harrisburg, PA 17105-3608

RECEPTACLE, .058 DIAMETER,  
 26-22 AWG, .035-.065  
 INSULATION, P.C. CONTACT

SCALE 10:1 SHEET 1 OF 1 REV V