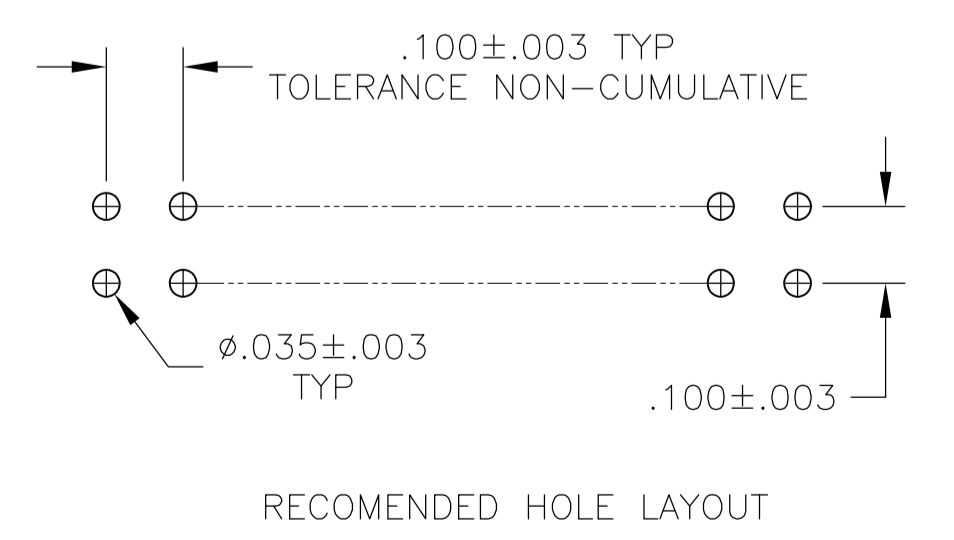
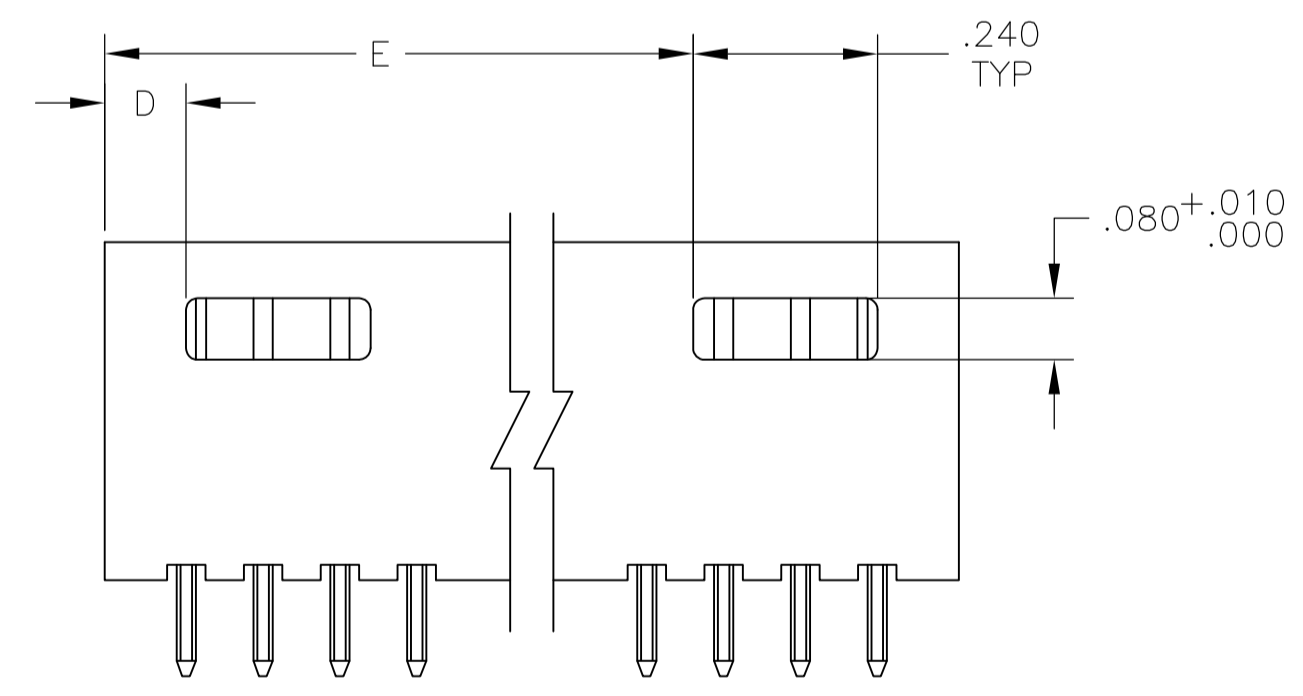
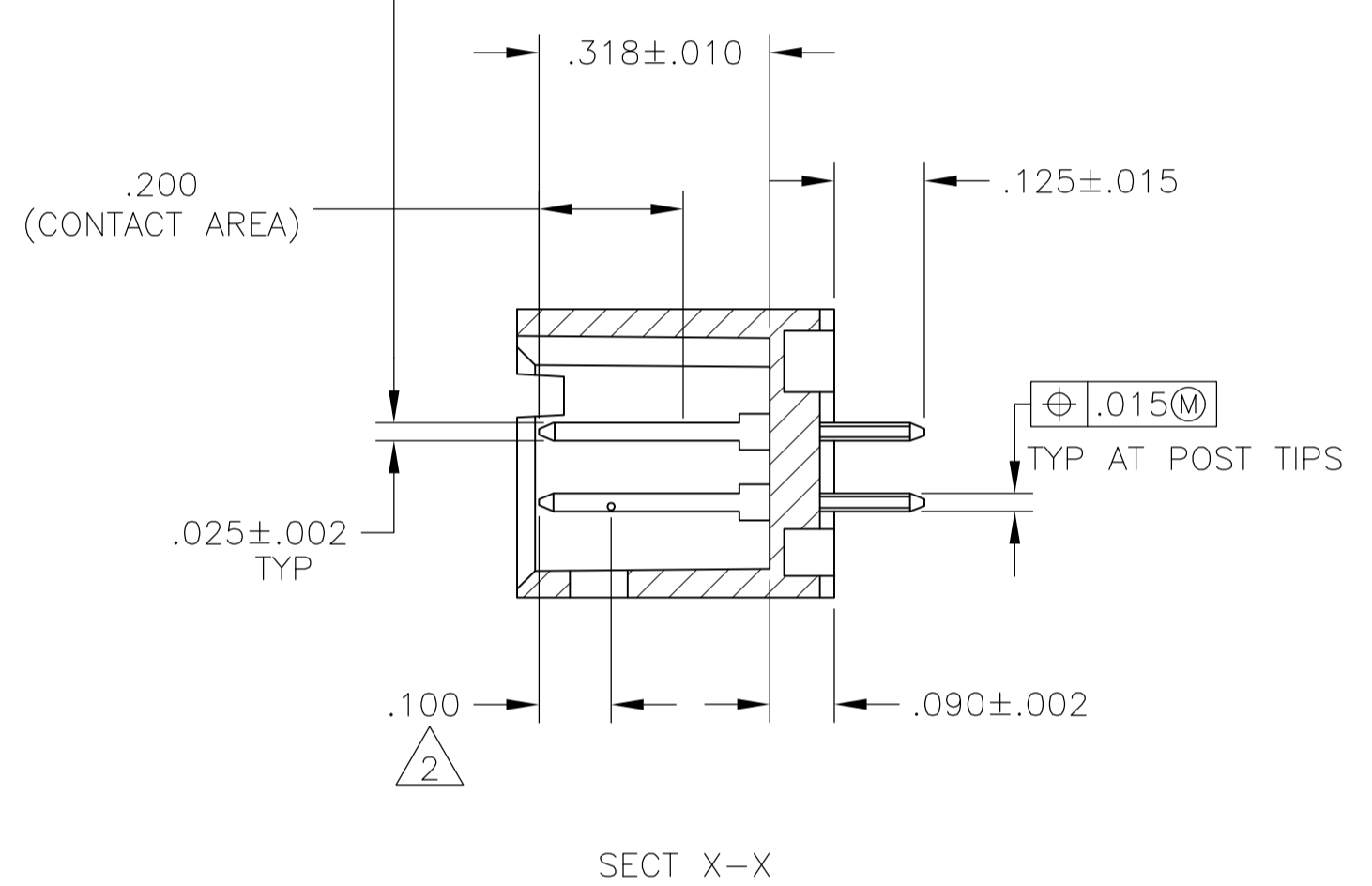
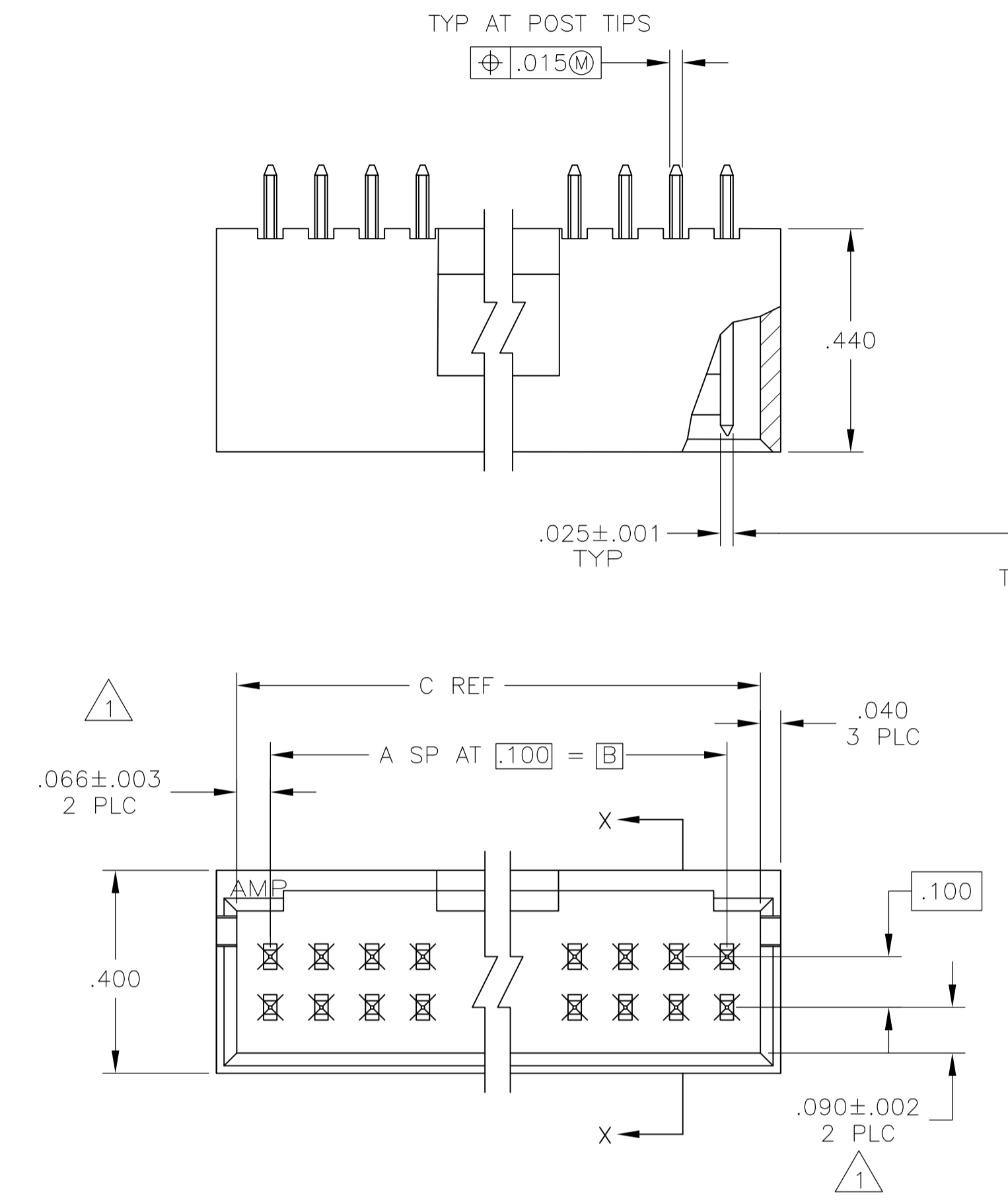


LOC		DIST		REVISIONS			
AD	00	REV	PER	ECO	DATE	BY	APPV
L2	REVISED	PER	ECO-11-004587		11MAR11	RK	HMR

- 1 THE NOTED DIMENSIONS APPLY AT THE INTERSECTION OF THE POST AND HOUSING
- 2 POINT OF MEASUREMENT FOR PLATING THICKNESS
- 3 FINISH: POSTS: .000015 GOLD IN CONTACT AREA, .000100-.000200 MATTE TIN-LEAD ON SOLDER TAIL, ALL OVER .000050 NICKEL
- 4 FINISH: POSTS: .000015 GOLD IN CONTACT AREA, .000100-.000200 MATTE TIN ON SOLDER TAIL, ALL OVER .000050 NICKEL
- 5 MATERIALS: HOUSING- FLAME RETARDANT THERMOPLASTIC, COLOR-BLACK
POSTS- PHOS BRONZE
- 6 OBSOLETE PARTS: OBSOLETE CIS STREAMLINING PER D.RENAUD/D.SINISI



REV	PER	ECO	DATE	BY	APPV	NO. OF POSN	ASSEMBLY PART NUMBER
8						74	8-102618-5
8						72	8-102618-4
8						70	8-102618-3
8						68	8-102618-2
8						66	8-102618-1
8						64	8-102618-0
7						62	7-102618-9
7						60	7-102618-8
7						58	7-102618-7
7						56	7-102618-6
7						54	7-102618-5
7						52	7-102618-4
7						50	7-102618-3
7						48	7-102618-2
7						46	7-102618-1
7						44	7-102618-0
6						42	6-102618-9
6						40	6-102618-8
6						38	6-102618-7
6						36	6-102618-6
6						34	6-102618-5
6						32	6-102618-4
6						30	6-102618-3
6						28	6-102618-2
6						26	6-102618-1
6						24	6-102618-0
5						22	5-102618-9
5						20	5-102618-8
5						18	5-102618-7
5						16	5-102618-6
5						14	5-102618-5
5						12	5-102618-4
5						10	5-102618-3
5						8	5-102618-2
5						6	5-102618-1
3						74	3-102618-5
3						72	3-102618-4
3						70	3-102618-3
3						68	3-102618-2
3						66	3-102618-1
3						64	3-102618-0
2						62	2-102618-9
2						60	2-102618-8
2						58	2-102618-7
2						56	2-102618-6
2						54	2-102618-5
2						52	2-102618-4
2						50	2-102618-3
2						48	2-102618-2
2						46	2-102618-1
2						44	2-102618-0
1						42	1-102618-9
1						40	1-102618-8
1						38	1-102618-7
1						36	1-102618-6
1						34	1-102618-5
1						32	1-102618-4
1						30	1-102618-3
1						28	1-102618-2
1						26	1-102618-1
1						24	1-102618-0
5-102618-9						22	5-102618-9
102618-8						20	102618-8
102618-7						18	102618-7
102618-6						16	102618-6
102618-5						14	102618-5
102618-4						12	102618-4
102618-3						10	102618-3
102618-2						8	102618-2
102618-1						6	102618-1
PLATING	E	D	C	B	A		

▲ SUP BY 5-102618-9

THIS DRAWING IS A CONTROLLED DOCUMENT.

DIMENSIONS: INCHES	TOLERANCES UNLESS OTHERWISE SPECIFIED:	0 PLC ± .005	1 PLC ± .005	2 PLC ± .005	3 PLC ± .005	4 PLC ± .005	ANGLES ± .005
--------------------	--	--------------	--------------	--------------	--------------	--------------	---------------

MATERIAL: SEE TABLE

APPROVED: LA MAYER, R. FEIDT

DATE: 4-9-87

NAME: HDR ASSY, MOD II, SHROUDED, 4 SIDES, DBL ROW, VERTICAL, .100X.100 C/L, WITH .025 SQ POSTS

SIZE: A1

WEIGHT: 100779

DRAWING NO: 102618

RESTRICTED CUSTOMER

SCALE: 4:1

SHEET: 1 OF 1

REV: L2

STE TE Connectivity