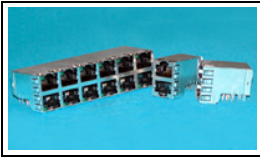


6116317-5 Product Details

[Share](#) [Print](#) [Email](#)



6116317-5

TE Internal Number: 6116317-5

Active

[View 3D PDF](#)

PCB Mounted Jacks - Single Port, Multi-port and Stacked

Always EU RoHS/ELV Compliant (Statement of Compliance)

Product Highlights:

- Connector
- Preloaded
- Stacked Port Configuration
- 2 x 8 Jack Configuration
- Jack Type = RJ45

[View all Features](#)

Quick Links

- [▶ Pricing & Availability](#)
- [▶ Search for Tooling](#)
- [▶ Product Feature Selector](#)
- [▶ Contact Us About This Product](#)

[Add to My Part List](#)

[Request Sample](#)

[Find Similar Products](#)

[Buy Product](#)

Documentation & Additional Information

Product Drawings:

- [STACKED MODULAR JACK ASSEMBLY, 2X8 WITH LEADS, 8 POSI...](#) (PDF, English)

Catalog Pages/Data Sheets:

- None Available

Product Specifications:

- [High Performance Modular Plugs & Jacks, PCB Mounted](#) (PDF, English)

Application Specifications:

- [Modular Jacks](#) (PDF, English)

Instruction Sheets:

- None Available

CAD Files: (CAD Format & Compression Information)

- [2D Drawing](#) (DXF, Version B)
- [3D Model](#) (IGES, Version B)
- [3D Model](#) (STEP, Version B)

[List all Documents](#)

Additional Information:

- [Product Line Information](#)

Related Products:

- [Tooling](#)

Product Features (Please use the Product Drawing for all design activity)

Product Type Features:

- Product Type = Connector
- Jack Type = RJ45
- PCB Mounting Orientation = Side Entry (Right Angle)
- PCB Mount Style = Through Hole
- Performance Category = Cat 5e
- LED = With
- Grounding Options = Panel Ground and PCB Ground
- Panel Stops = Without
- Keyed = No
- Profile = Very Low; Offset - Over Hangs PCB
- Color = Black

Mechanical Attachment:

- Panel Mount Retention = Without

Termination Features:

- Termination Method to PC Board = Through Hole - Press Fit
- Grounding Clips = Without

Dimensions:

- PCB Tail Length (mm [in]) = 4.35 [0.171]
- PCB Thickness, Recommended (mm [in]) = 1.57 [0.062]

Body Features:

- Inverted Jack Face = No
- Shield Plating = Tin over Copper
- Shield Material = .010 [0.25] Copper Alloy
- Grounding Tab Plating = Tin over Copper

Contact Features:

- Solder Tail Contact Plating = Tin over Nickel
- Contact Plating, Mating Area, Material = Gold (50)
- Contact Base Material = Phosphor Bronze
- PCB ACTION PIN Grounds = With

Housing Features:

- Housing Material = PBT - GF
- Housing Color = Black
- UL Flammability Rating = UL 94V-0

Configuration Features:

- Preloaded = Yes
- Port Configuration = Stacked
- Jack Configuration = 2 x 8
- Number of Positions = 8
- Shielded = Yes
- Number of Contacts Loaded = 8
- Number of PCB Ground Tabs = 11
- Number of Terminals Per Port = 8

Industry Standards:

- RoHS/ELV Compliance = RoHS compliant, ELV compliant
- Lead Free Solder Processes = Not relevant for lead free process
- RoHS/ELV Compliance History = Always was RoHS compliant

Identification Marking:

- LED Color; Top Left = Green/Yellow
- LED Color; Top Right = Green/Yellow
- LED Color; Bottom Left = Green/Yellow
- LED Color; Bottom Right = Green/Yellow

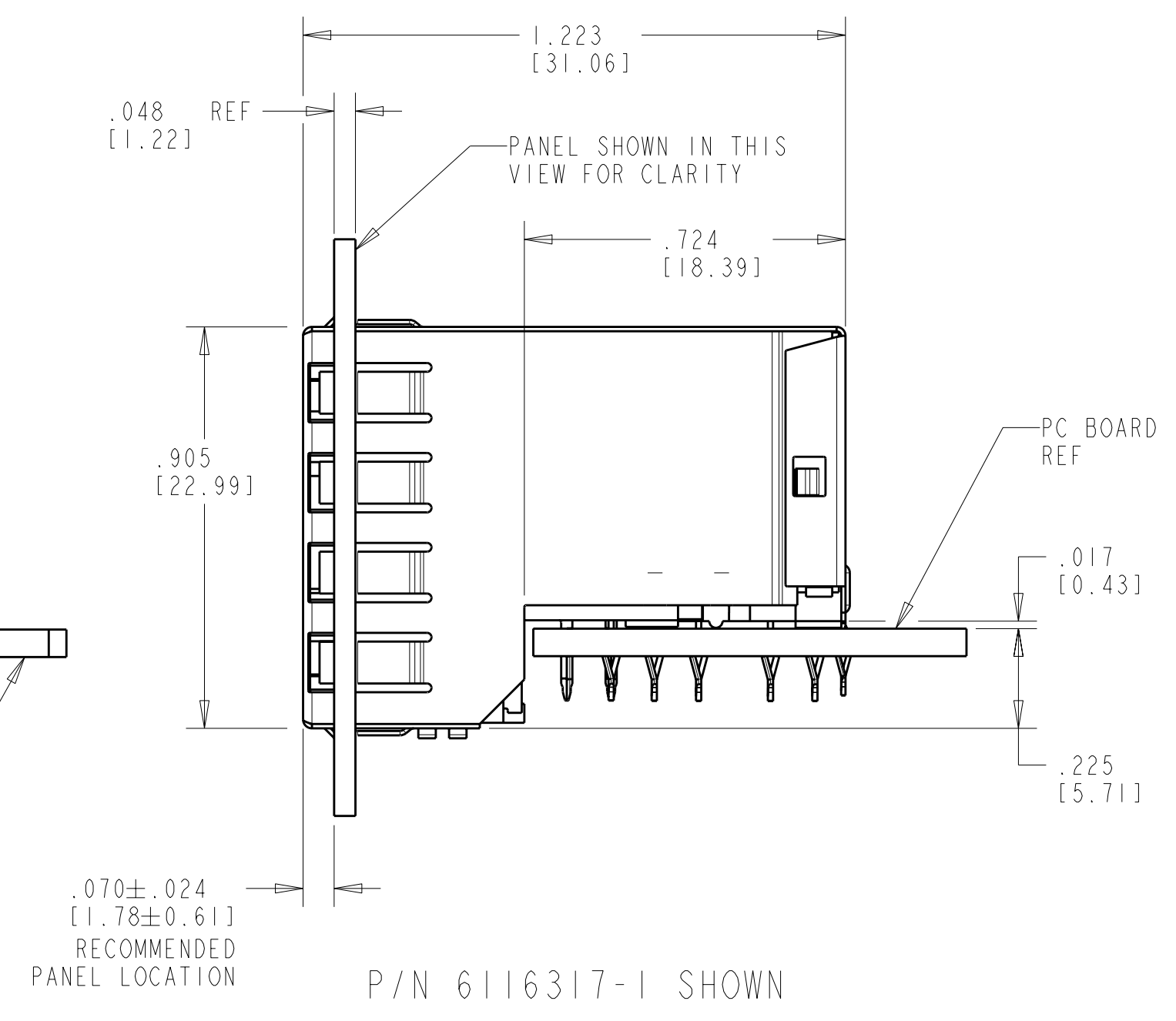
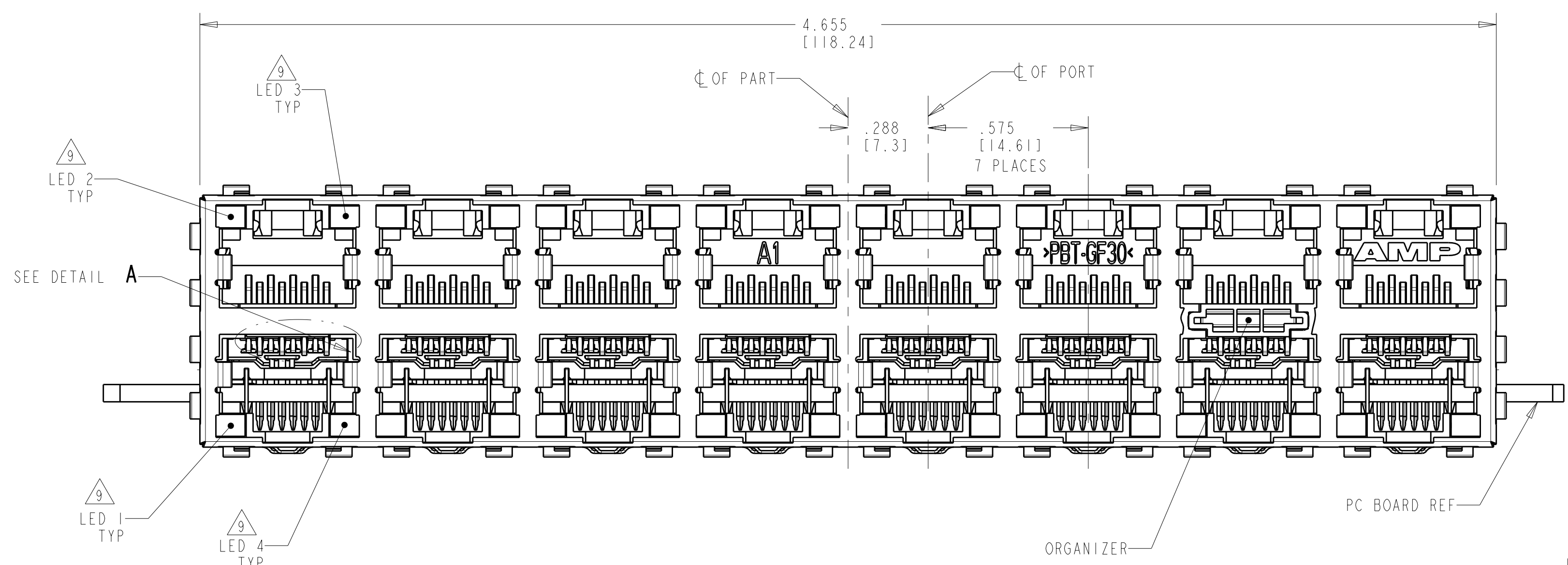
Product Availability:

- Region = Asia, North America

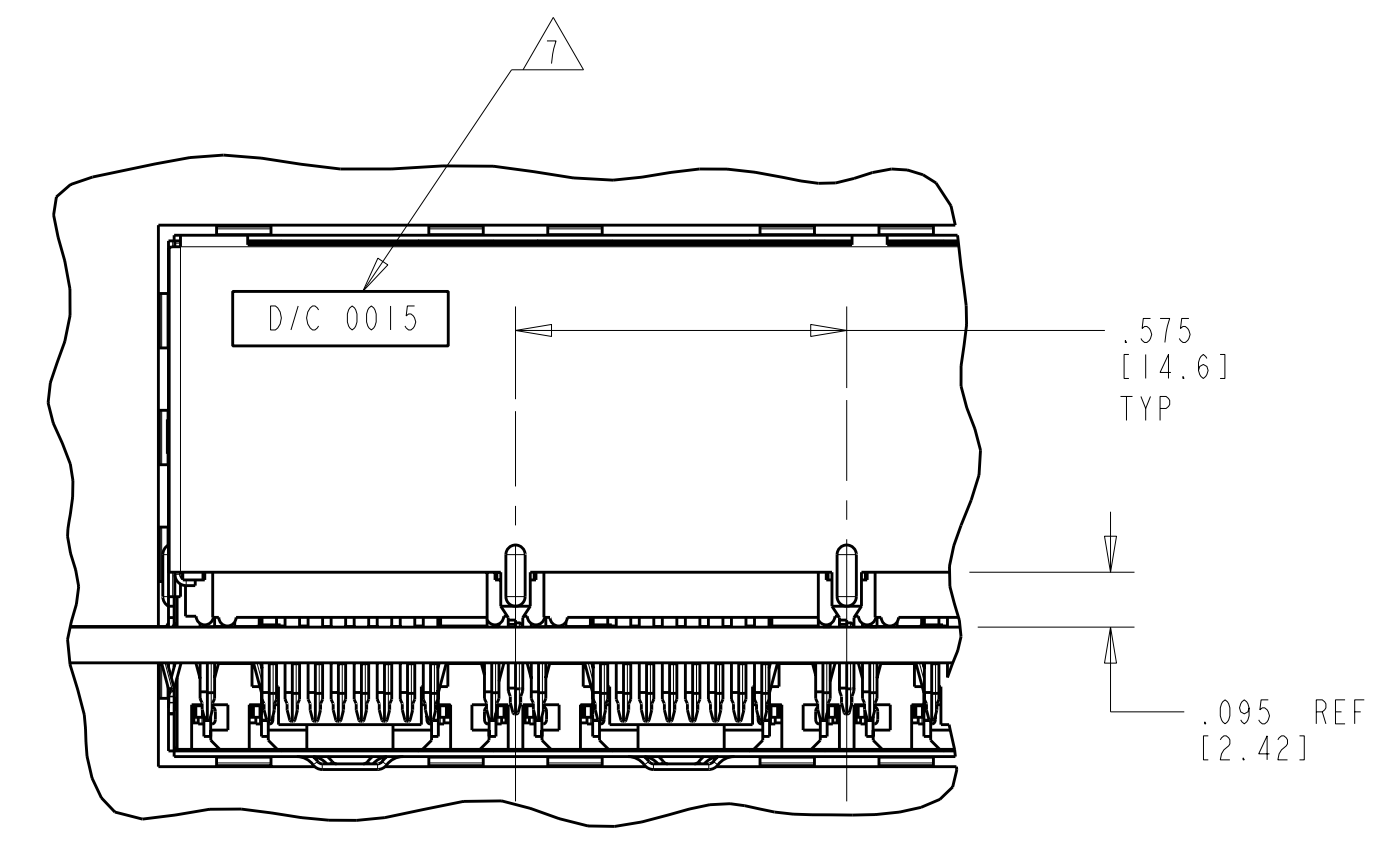
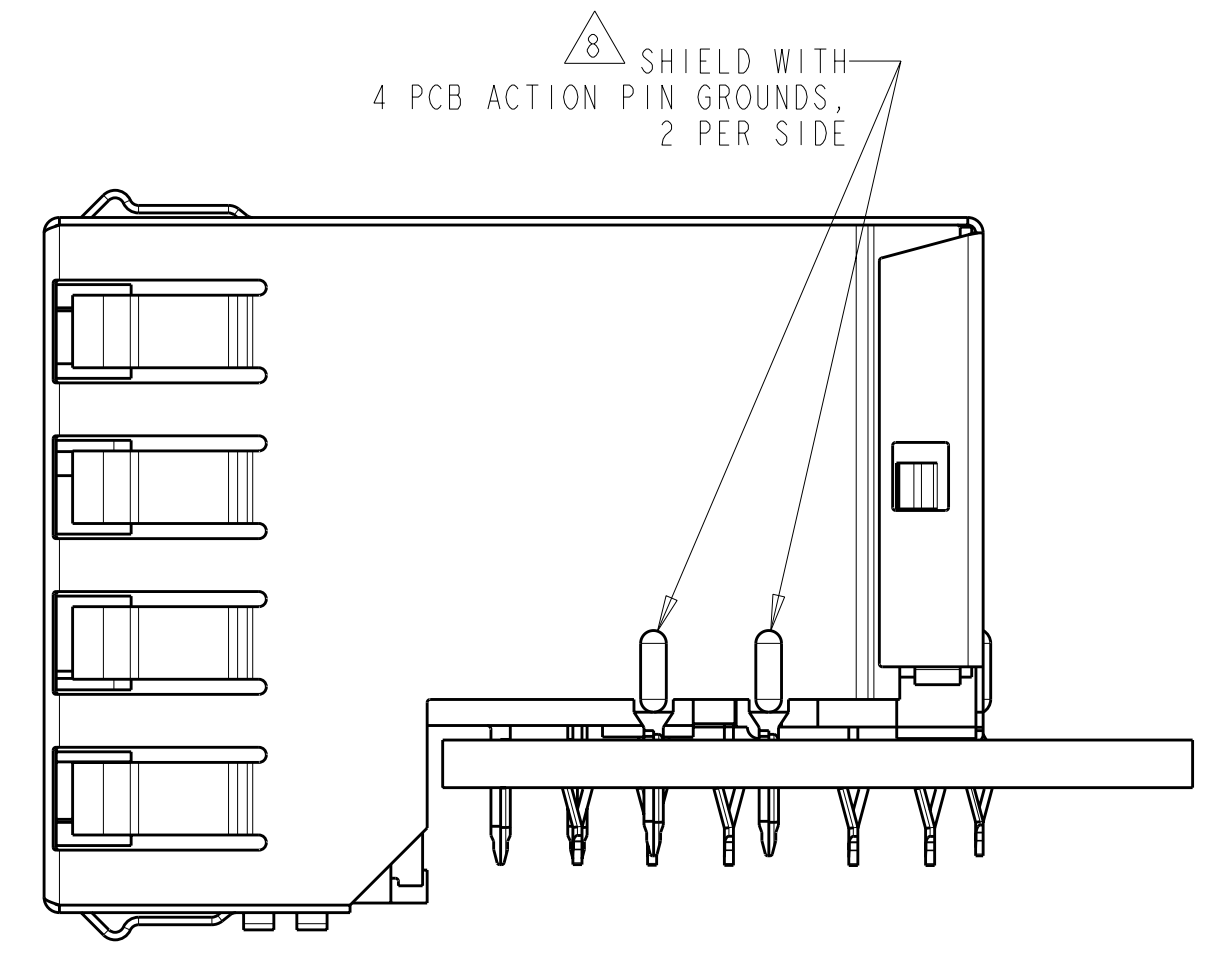
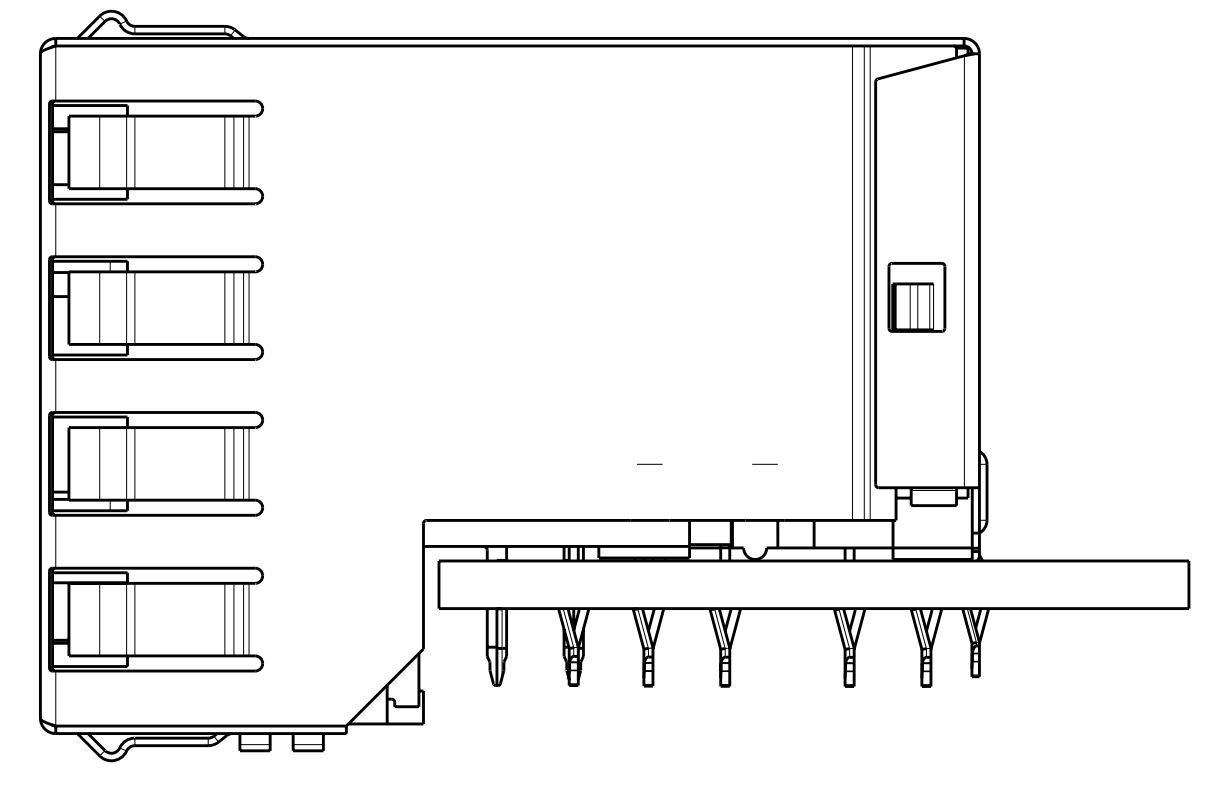
Other:

- Brand = AMP
- Comment = With 4 PCB ACTION PIN Grounds.

LOC	DIST	REV	DATE	BY	CHK	APPD
AA	22	C2	04MAY11	RK	HMR	

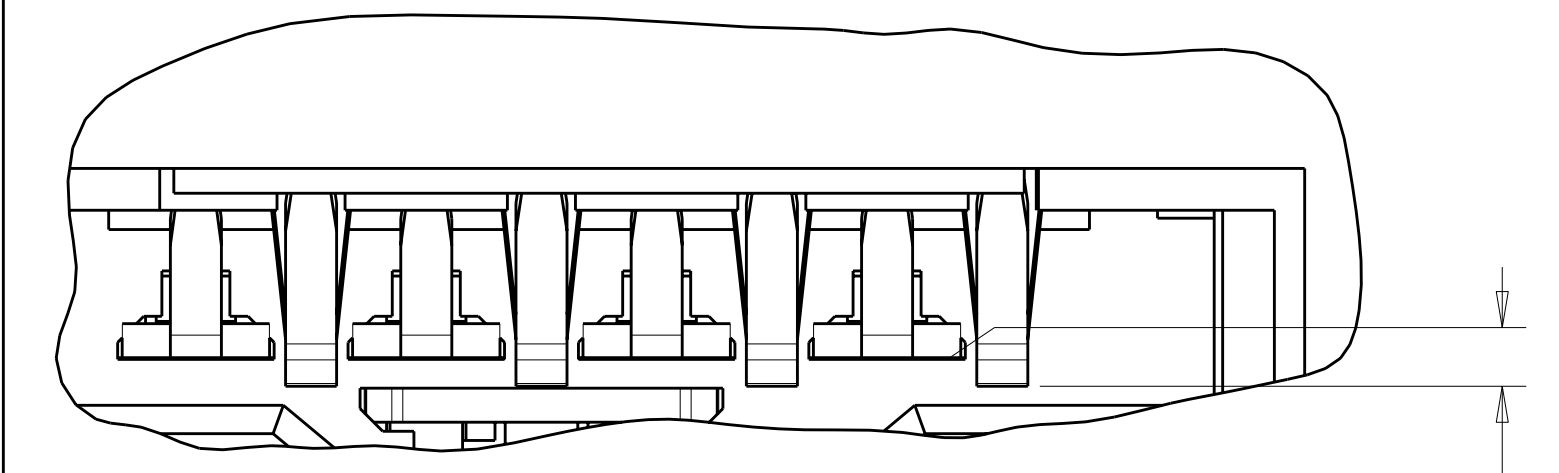
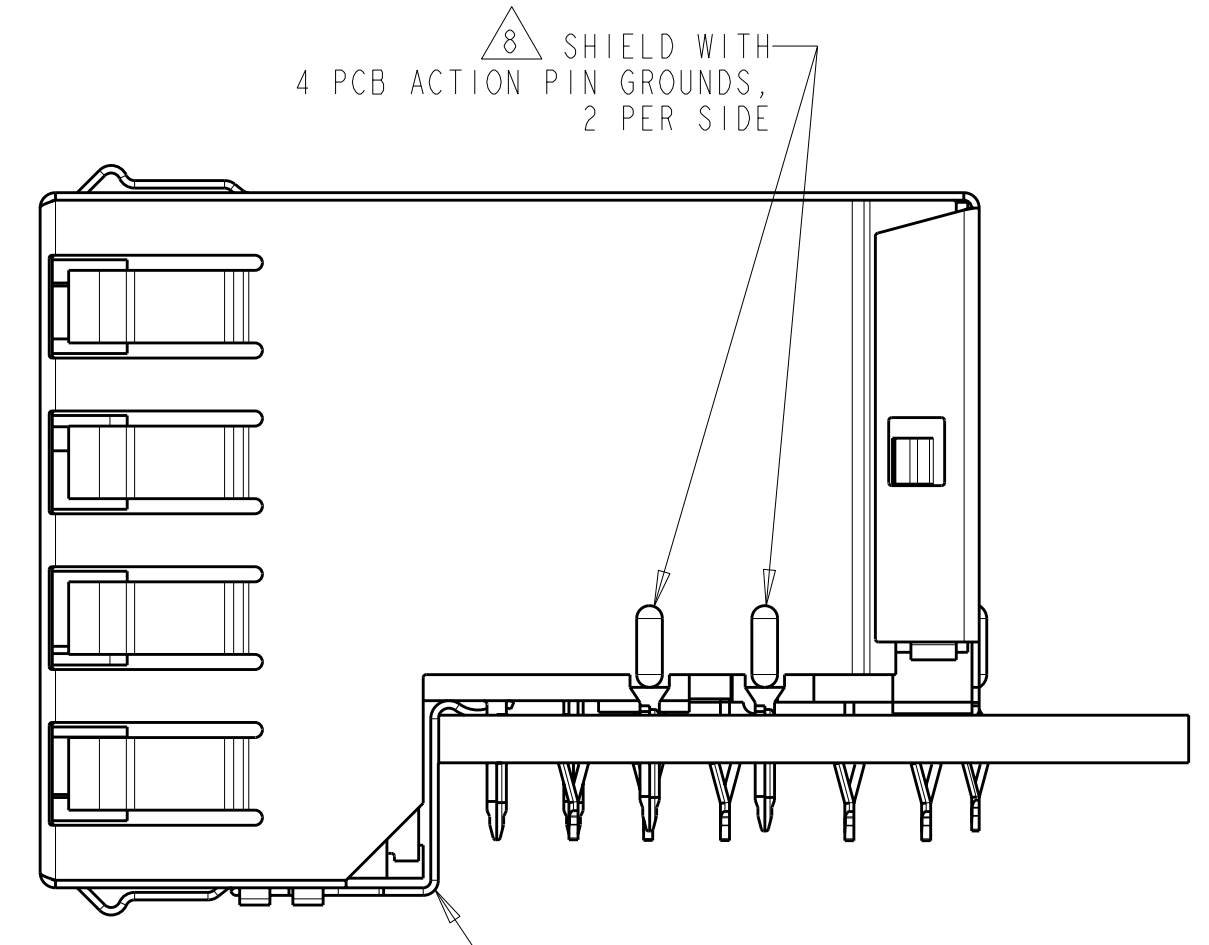
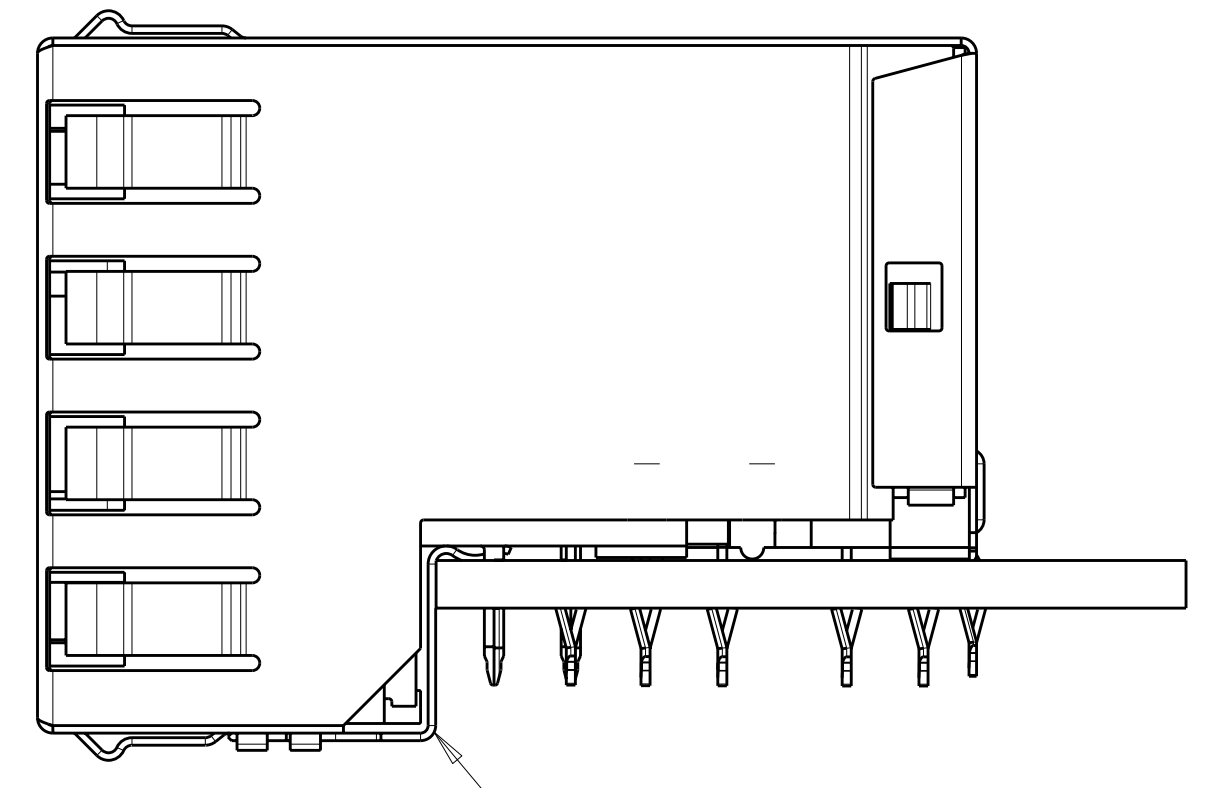


- 1 HOUSING: PBT POLYESTER, BLACK, UL 94V-0. TERMINALS: 0.30 THICK PHOS BRONZE PLATED WITH 1.27µm MINIMUM THICK HARD GOLD IN LOCALIZED AREA AND 2µm MINIMUM THICK MATTE TIN IN ACTION PIN COMPLIANT PIN TERMINAL AREA OVER 1.27µm MINIMUM THICK NICKEL UNDERPLATE. SHIELD: 0.25 THICK COPPER ALLOY PLATED WITH 2.03µm MINIMUM BRIGHT TIN OVER 1.27µm MINIMUM THICK GROUND CLIPS: 0.25 THICK COPPER ALLOY PLATED WITH 2.03µm MINIMUM MATTE TIN OVER 1.27µm MINIMUM THICK LIGHT EMITTING DIODE (LED): DIFFUSED EPOXY LENS, 12.95 CARBON STEEL WIREFRAME LEADS PLATED WITH 8.89µm TIN/COPPER OVER 2.03µm SILVER OVER 1.02µm COPPER OVER 3.56µm NICKEL OVER 1.02µm COPPER UNDERPLATE. LED ACTION PIN COMPLIANT PIN CONTACTS: 0.30 THICK BRASS PLATED WITH 2µm MINIMUM MATTE TIN.
- 2 JACK CAVITY CONFORMS TO FCC RULES AND REGULATIONS, PART 68 SUBPART F.
- 3 ALL DIMENSIONS ARE NOMINAL UNLESS OTHERWISE SPECIFIED.
- 4 TWO LEDS PER PORT, SIZE .079 X .118, SEE TABLE.
- 5 DRILLED HOLE DIA = .040±.001. COPPER THICKNESS = .001-.003. TIN THICKNESS = .0003 MIN.
- 6 DATUMS AND BASIC DIMENSIONS ESTABLISHED BY CUSTOMER.
- 7 DATE CODE LOCATED ON REAR OF PART APPROXIMATELY AS SHOWN.
- 8 THESE FOUR SIDE PCB ACTION PIN GROUNDS AND CORRESPONDING PCB HOLES ARE REQUIRED ONLY ON 6116317-2, 6116317-3, 6116317-5, 6116317-6, 6116317-7, -9 AND 1--0.
- 9 SUGGESTED OPERATING CURRENT FOR LEDS IS 20 mA.



PARTIAL BACK VIEW

RED/GREEN	RED/GREEN	RED/GREEN	RED/GREEN	1-6116317-0
GREEN/YELLOW	GREEN/YELLOW	RED/GREEN	RED/GREEN	6116317-9
GREEN/YELLOW	GREEN/YELLOW	RED/GREEN	RED/GREEN	6116317-8
GREEN	GREEN	YELLOW	YELLOW	6116317-7
YELLOW	YELLOW	GREEN	GREEN	6116317-6
GREEN/YELLOW	GREEN/YELLOW	GREEN/YELLOW	GREEN/YELLOW	6116317-5
GREEN	GREEN	GREEN	GREEN	6116317-4
GREEN	GREEN	GREEN	GREEN	6116317-3
GREEN	GREEN	GREEN	GREEN	6116317-2
GREEN	GREEN	GREEN	GREEN	6116317-1
LED #4 (LOWER-RIGHT)	LED #3 (UPPER-RIGHT)	LED #2 (UPPER-LEFT)	LED #1 (LOWER-LEFT)	PART NO.



DETAIL A SCALE 15:1 TYPICAL

8	4	8	1-6116317-0
8	4	8	6116317-9
NONE	NONE		6116317-8
NONE	4	8	6116317-7
NONE	4	8	6116317-6
NONE	4	8	6116317-5
8	NONE		6116317-4
8	4	8	6116317-3
NONE	4	8	6116317-2
NONE	NONE		6116317-1
GROUND CLIPS	SIDE PCB ACTION PIN GNDS		PART NUMBER

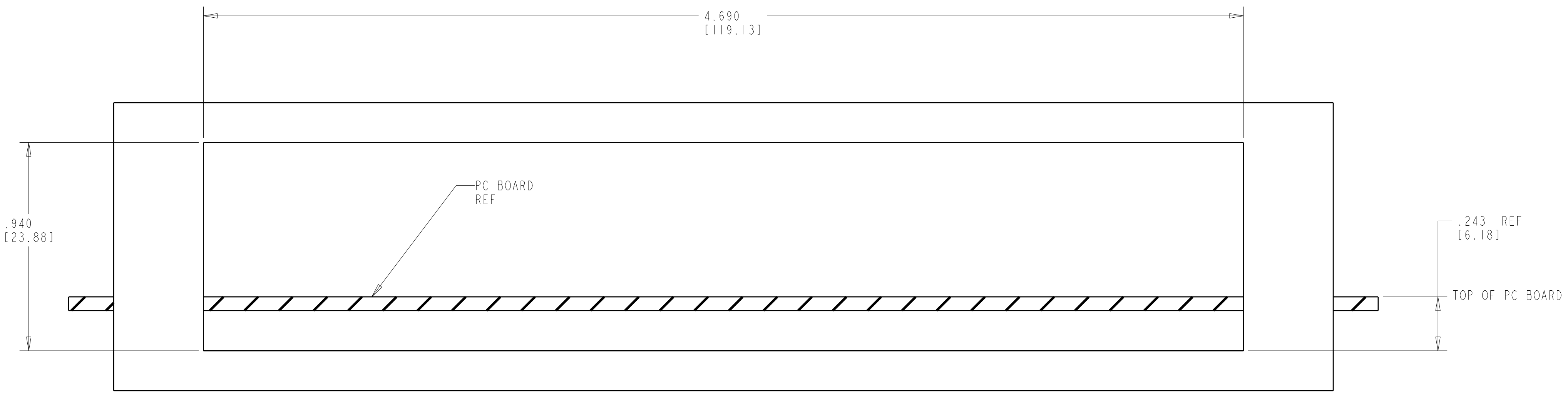
THIS DRAWING IS A CONTROLLED DOCUMENT.

DIMENSIONS: INCHES(mm)	TOLERANCES UNLESS OTHERWISE SPECIFIED:	DRAWN: L. VARELA - DOCKS 23 JUN 2005	CHK: J. WESTMAN 23 JUN 2005	APVD: S. FLICKINGER 23 JUN 2005
9 PLC ±	9 PLC ±	PRODUCT SPEC	NAME	108-1854
5 PLC ±	5 PLC ±	APPLICATION SPEC	SIZE	114-2160
4 PLC ±	4 PLC ±	WEIGHT	CAGE CODE	00779
ANGLES	FINISH	114-2160	DRAWING NO	6116317
		WEIGHT -1 = 77.2 grams	SCALE	3:1
		CUSTOMER DRAWING	SHEET	1 OF 3

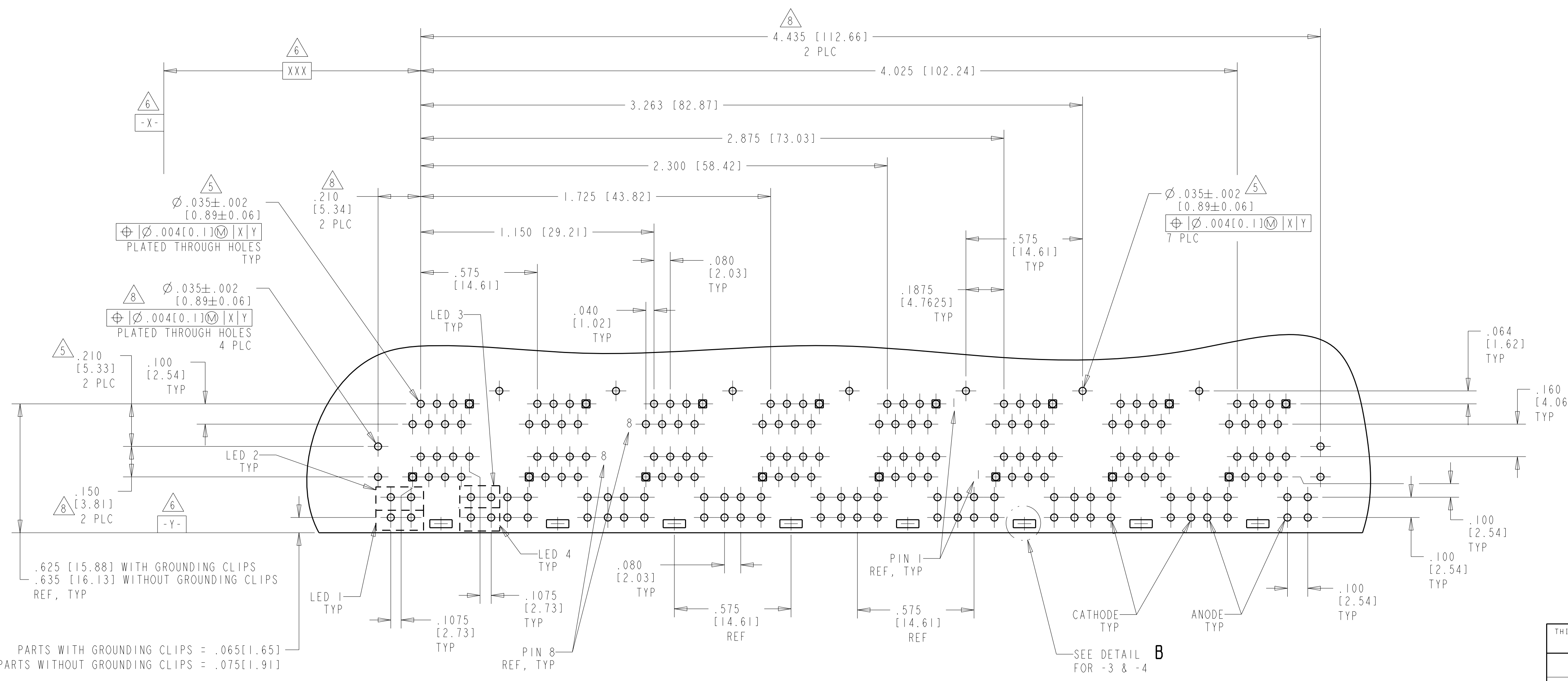
STE TE Connectivity
 STACKED MODULAR JACK ASSEMBLY, 2X8 WITH LEDS, 8 POSITION, SHIELDED PANEL GROUND, OFFSET, CAT 5
 RESTRICTED TO

LOC	DIST	REV	DATE	BY	APPD
AA	22				

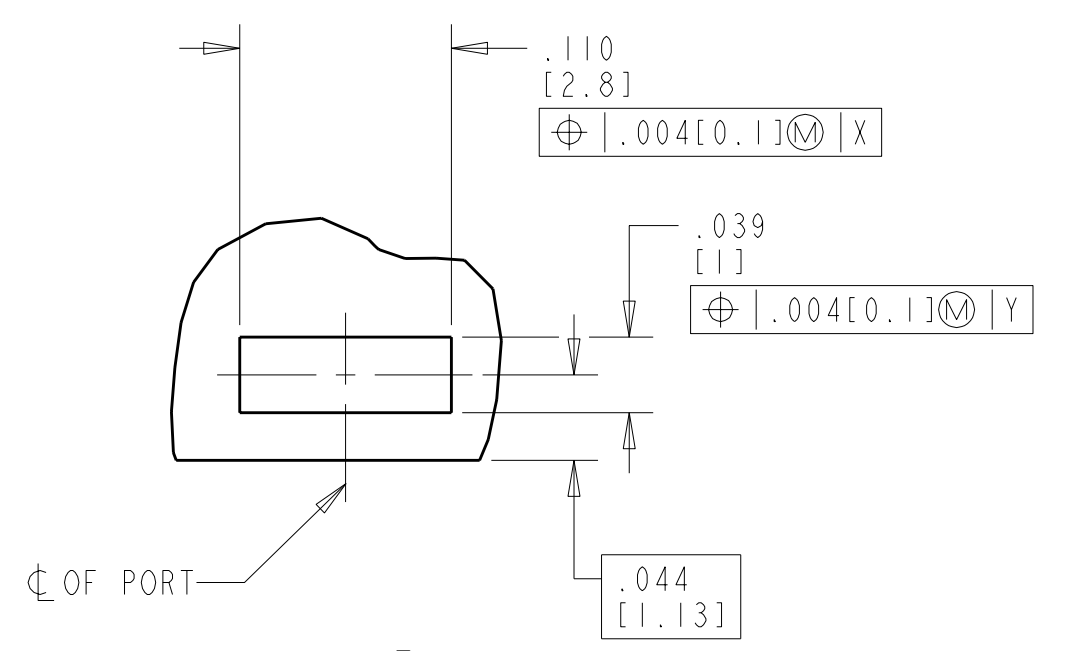
REVISIONS					
REV	DATE	BY	APPD	DESCRIPTION	DATE
-	-	-	-	SEE SHEET 1	-



RECOMMENDED PANEL CUT-OUT



PC BOARD LAYOUT
(COMPONENT SIDE)

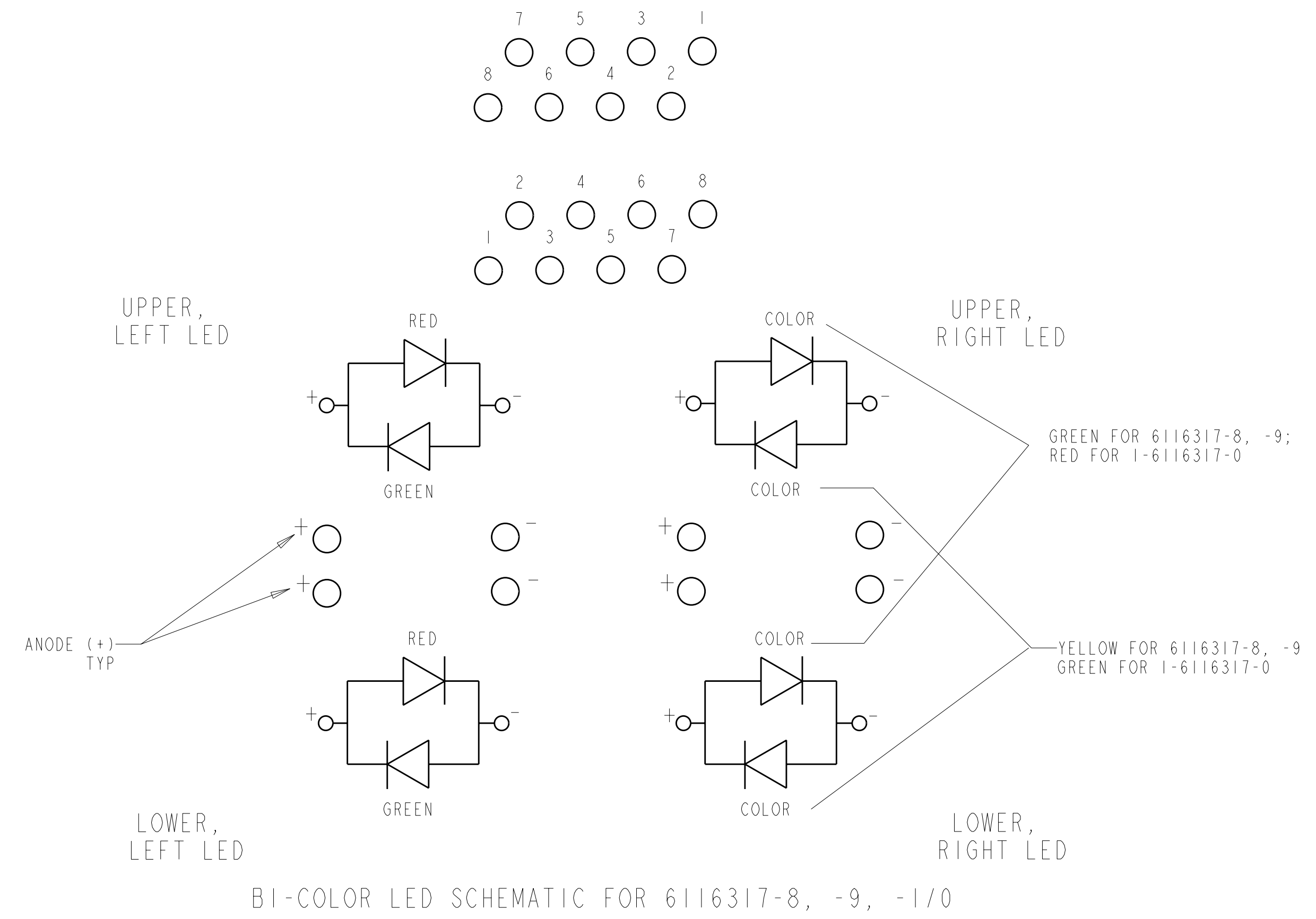
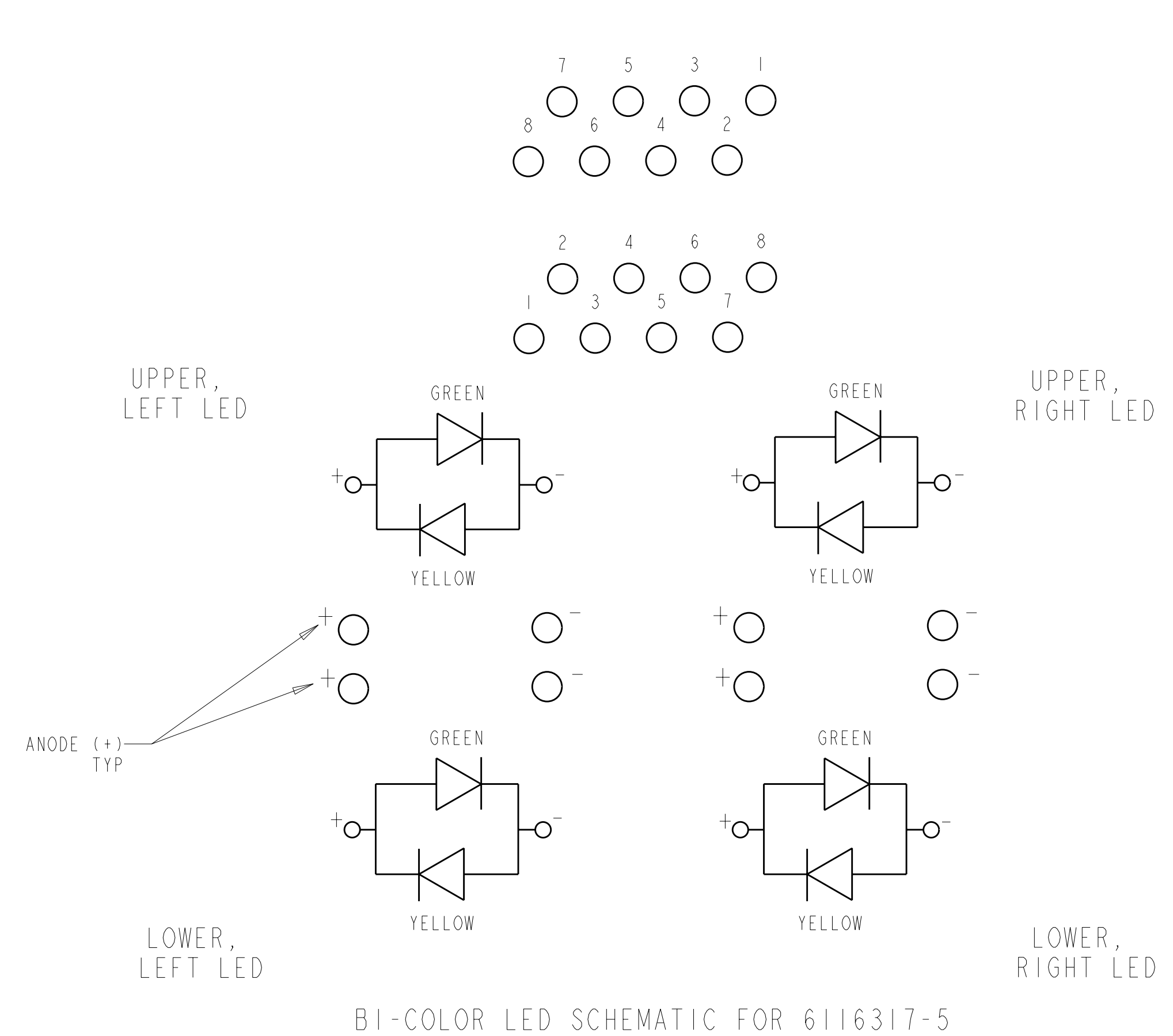


DETAIL B
 THESE PLATED PADS REQUIRED FOR 6116317-3 & -4
 PRODUCTS WITH GROUNDING CLIPS
 SCALE 10:1
 8 PLACES

PARTS WITH GROUNDING CLIPS = .065 [1.65]
 PARTS WITHOUT GROUNDING CLIPS = .075 [1.91]

THIS DRAWING IS A CONTROLLED DOCUMENT.		DWN M. VARELA - 23 JUN 2005	TE Connectivity
DIMENSIONS: INCHES [mm]		CHK J. WESTMAN - 23 JUN 2005	
TOLERANCES UNLESS OTHERWISE SPECIFIED:		APVD S. FLICKINGER - 23 JUN 2005	NAME STACKED MODULAR JACK ASSEMBLY, 2X8 WITH LEDs, 8 POSITION, SHIELDED PANEL GROUND, OFFSET, CAT 5
9 PLC ± 8 PLC ± 5 PLC ± 4 PLC ±.005 [0.13] ANGLES ±.005 [0.13]		PRODUCT SPEC 108-1854	SIZE 114-2160
MATERIAL		APPLICATION SPEC	RESTRICTED TO
FINISH		WEIGHT 77.2 grams	SCALE 3:1
		CUSTOMER DRAWING	SHEET 2 OF 3
		114-2160	REV C2

LOC	DIST	REVISIONS			
AA	22	REV	DATE	BY	APPD
		-	SEE SHEET 1	-	-



THIS DRAWING IS A CONTROLLED DOCUMENT.		DWN L. VARELA - DOCKS 23 JUN 2005	 TE Connectivity
DIMENSIONS: INCHES[mm]		CHK J. WESTMAN 23 JUN 2005	
TOLERANCES UNLESS OTHERWISE SPECIFIED:		APVD S. FLICKINGER 23 JUN 2005	NAME STACKED MODULAR JACK ASSEMBLY, 2X8 WITH LEDS, 8 POSITION, SHIELDED PANEL GROUND, OFFSET, CAT 5
9 PLC ± 1 PLC ± 2 PLC ± 3 PLC ± 4 PLC ±.005 [0.13] ANGLES ±		PRODUCT SPEC 108-1854	SIZE A1
MATERIAL		114-2160	RESTRICTED TO
FINISH		WEIGHT 77.2 grams	CAGE CODE 00779
		CUSTOMER DRAWING	DRAWING NO C=6116317
		SCALE 3:1	SHEET 3 OF 3
			REV C2