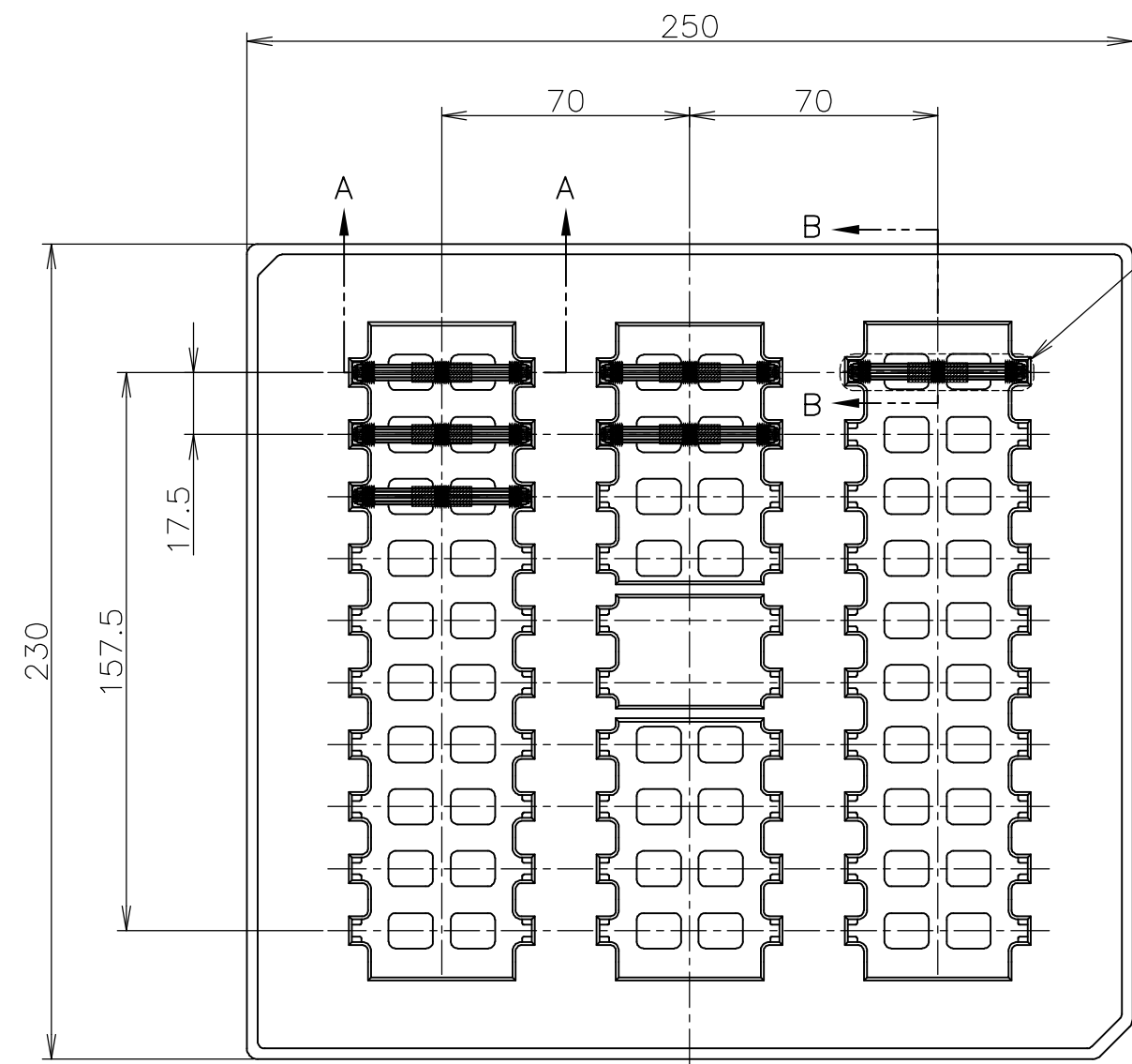
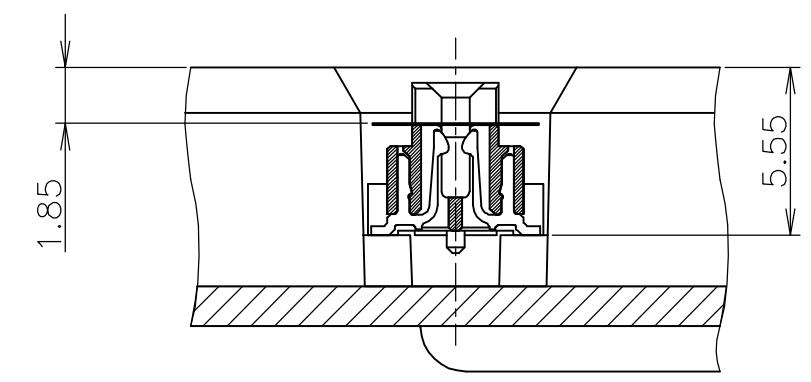


THIS DRAWING IS UNPUBLISHED. RELEASED FOR PUBLICATION JUL ,2004.
 © COPYRIGHT 2004 BY TYCO ELECTRONICS CORPORATION. ALL RIGHTS RESERVED.

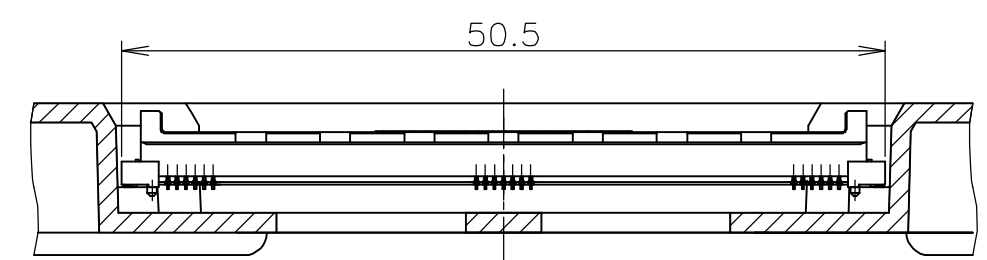
LOC	DIST	REVISIONS			DATE	DWN	APVD
		P	LTR	DESCRIPTION			
J			A	REVISED	05OCT05	T.T	Y.Y



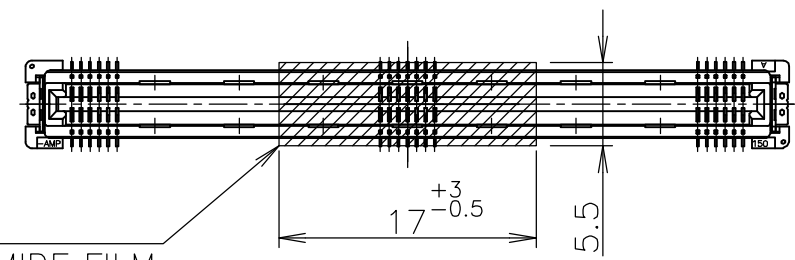
SEE DETAIL C



B-B
(SCALE 4:1)

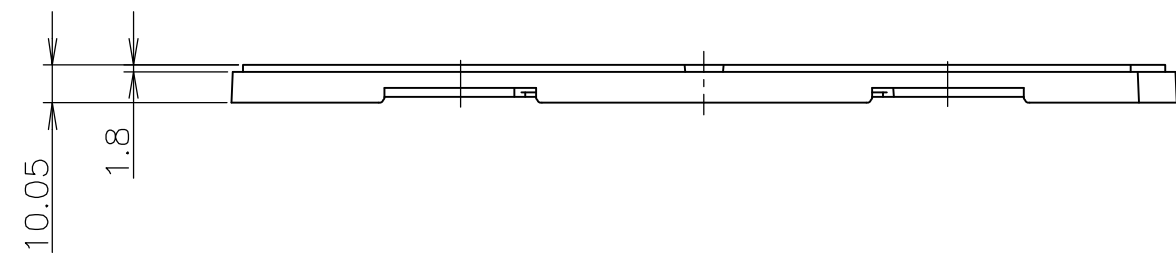


A-A
(SCALE 2:1)



DETAIL C
(SCALE 2:1)

接着剤付ポリイミドフィルム
1枚 (厚さ=0.05)
ONE SHEET OF POLYIMIDE FILM
WITH ADHESIVE (t = 0.05)



30	150	3-912071-1	6123088-1	6123215-1
QTY	POS.	TRAY P/N	CONN P/N	PART No.

THIS DRAWING IS A CONTROLLED DOCUMENT.		DWN T.TSUZAKI 7JUL04	Tyco Electronics AMP K.K. Kawasaki, Japan	
DIMENSIONS: 単位: 耗 MM		CHK K.YAMAGUCHI 7JUL04		
TOLERANCES UNLESS OTHERWISE SPECIFIED: 一般公差		APVD H.MURAMATSU 7JUL04	NAME 名称 HARD TRAY ASSY 0.6mm PITCH CARD EDGE CONNECTOR	
GENERAL TOLERANCE 一般公差 10 ≥ : ±0.2 30 ≥ > 10: ±0.25 100 ≥ > 30: ±0.3 ANGLES: ±3°		PRODUCT SPEC 製品規格 108-78191	SIZE A3	CAGE CODE 00779
MATERIAL 材料		APPLICATION SPEC 取付適用規格	DRAWING NO 番号 C-6123215	
FINISH 仕上		WEIGHT	RESTRICTED TO	
CUSTOMER DRAWING			SCALE 尺度 1:2	SHEET 1 OF 2
			REV A	

4

3

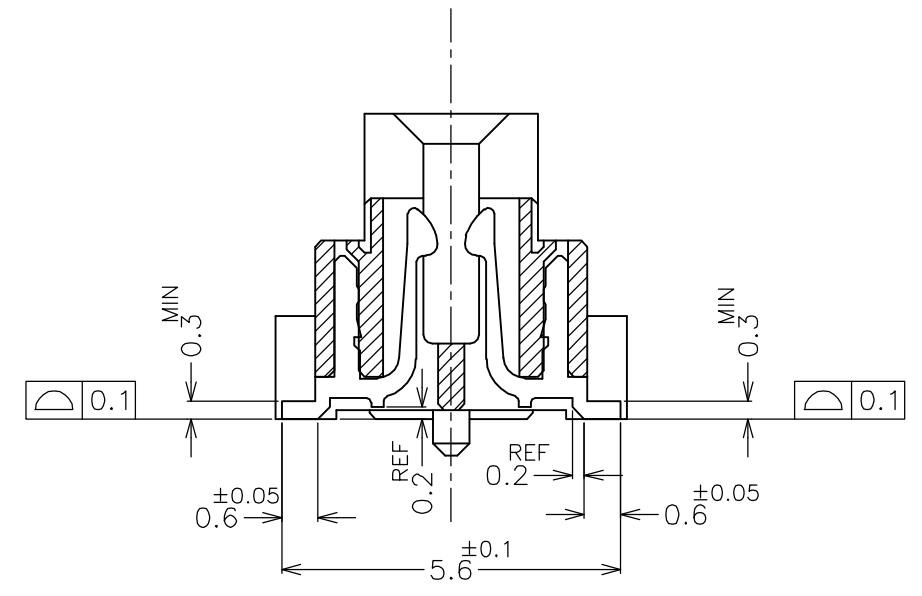
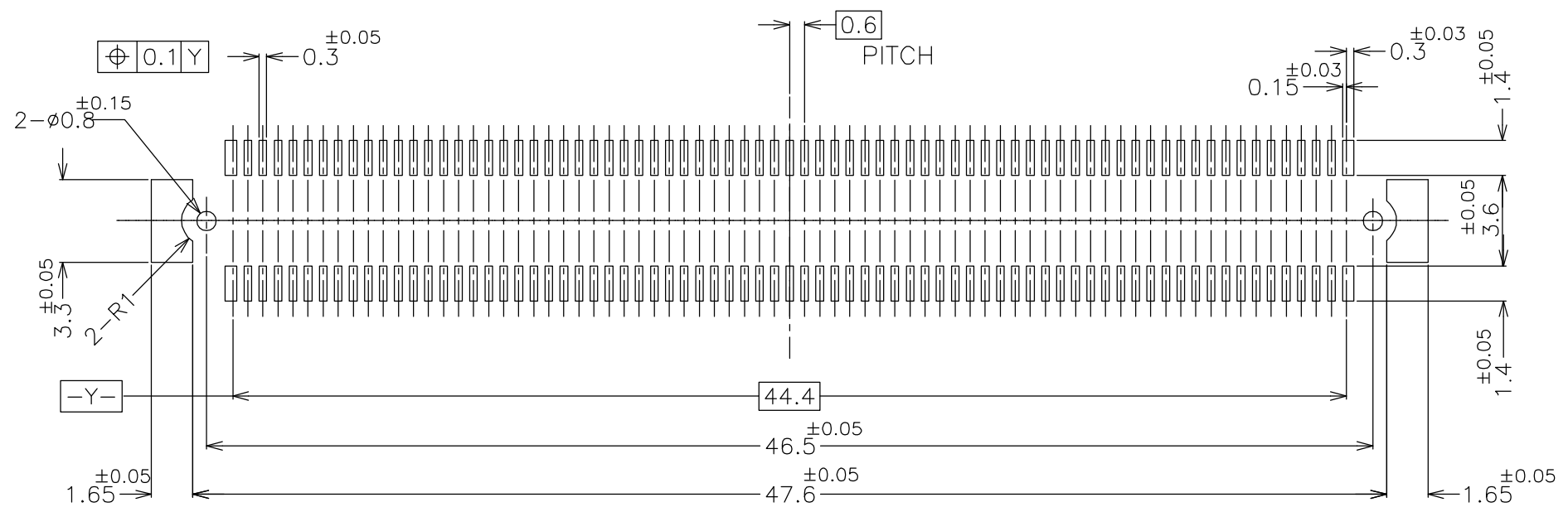
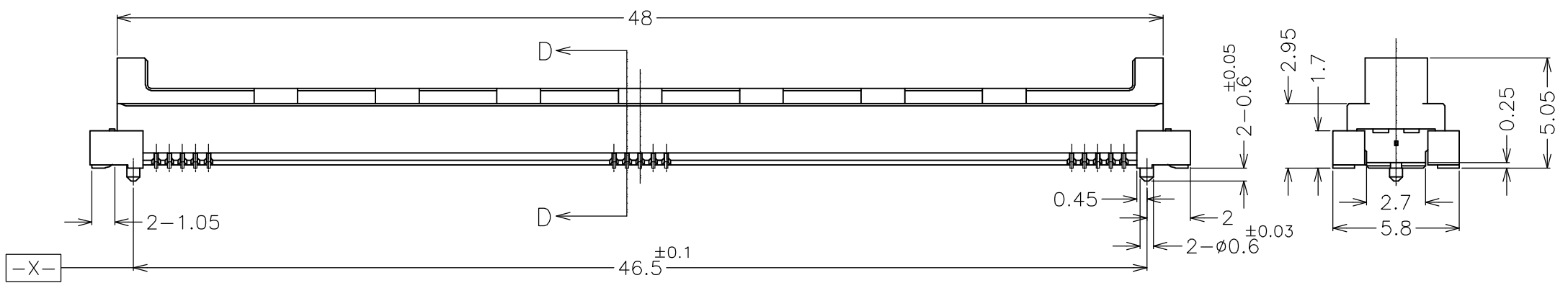
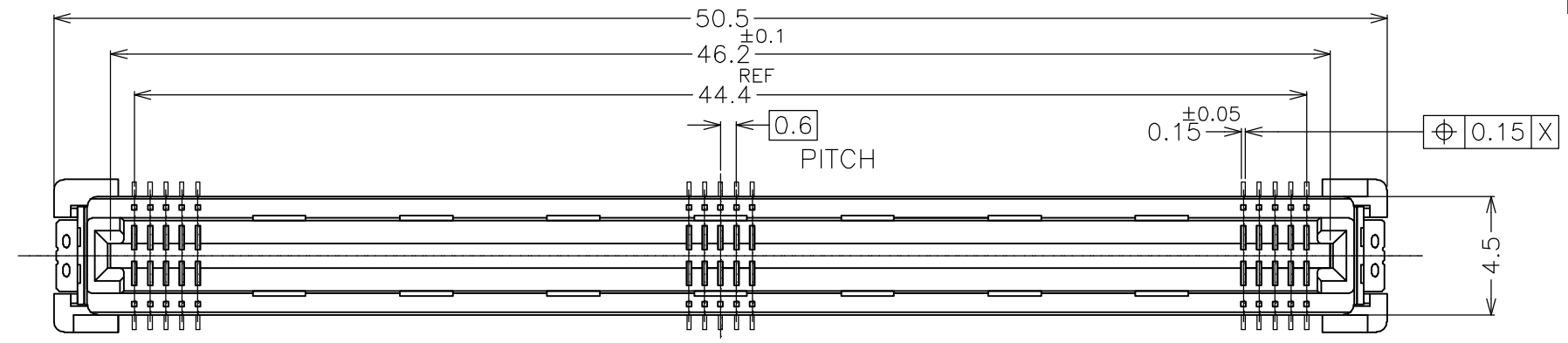
2

1

THIS DRAWING IS UNPUBLISHED. RELEASED FOR PUBLICATION JUL ,2005.
 © COPYRIGHT 2005 BY TYCO ELECTRONICS CORPORATION. ALL RIGHTS RESERVED.

LOC	DIST	REVISIONS		
J		P	LTR	DESCRIPTION
				DATE
				DWN
				APVD

6123088-1(150P):AS SHOWN(REFERENCE)



D-D (SCALE 8:1)

参考基板取り付け寸法
REFERENCE P.C.BOARD LAYOUT

GENERAL TOLERANCE
一般公差

10 ≥	±0.2
30 ≥ > 10	±0.25
100 ≥ > 30	±0.3
ANGLES: ±3°	

THIS DRAWING IS A CONTROLLED DOCUMENT.		DWN	Tyco Electronics AMP K.K. Kawasaki, Japan		
DIMENSIONS: 単位: 耗 MM		CHK	NAME 名称		
TOLERANCES UNLESS OTHERWISE SPECIFIED: 一般公差		APVD	HARD TRAY ASSY		
0 PLC ±		PRODUCT SPEC 製品規格	0.6mm PITCH		
1 PLC ±		APPLICATION SPEC 取付適用規格	CARD EDGE CONNECTOR		
2 PLC ±		SIZE	CAGE CODE	DRAWING NO 番号	RESTRICTED TO
3 PLC ±		A3	00779	C-6123215	
4 PLC ±		WEIGHT		CUSTOMER DRAWING	SCALE 尺度 4:1
ANGLES ±		FINISH 仕上		SHEET 2 OF 2	REV A