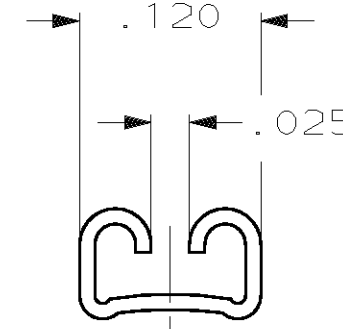
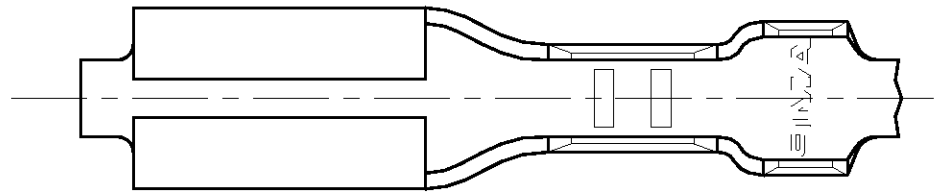


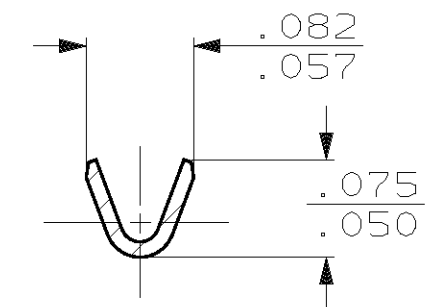
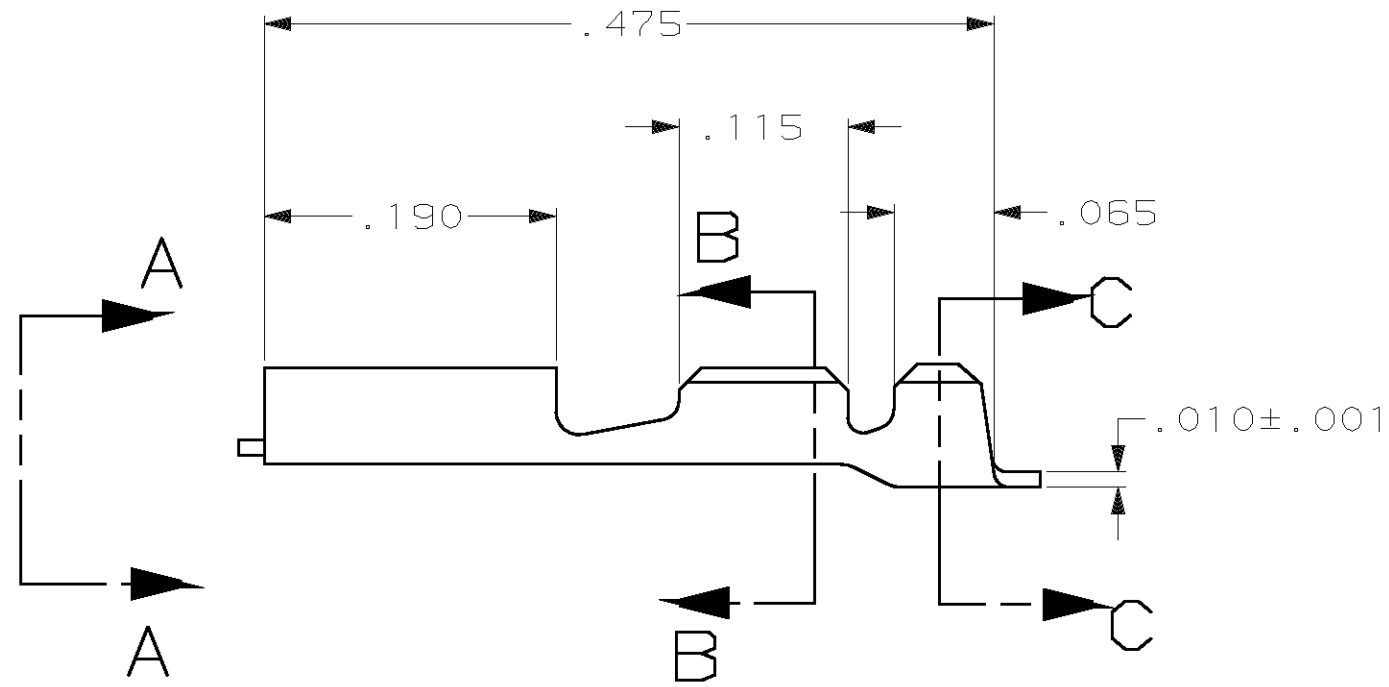
THIS DRAWING IS UNPUBLISHED. RELEASED FOR PUBLICATION, 19 .  
© COPYRIGHT 19 BY AMP INCORPORATED. ALL INTERNATIONAL RIGHTS RESERVED.

| LOC | DIST | P | F | ZONE | LTR | REVISIONS                | DATE    | APPD  |
|-----|------|---|---|------|-----|--------------------------|---------|-------|
| AF  | 50   |   |   |      | E   | REDRAWN PER 0L10-0340-97 | 8/26/97 | JR/JG |

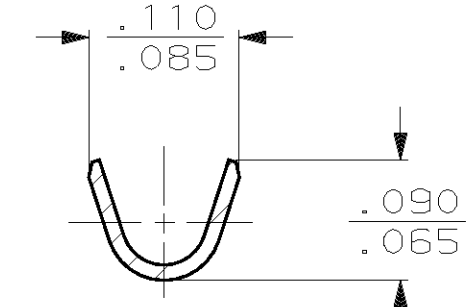
- CONTINUOUS STRIP ON REELS.
- MATING TAB SIZE IS .093 X .032±.001.
- WIRE SIZE IS #26-#22 AWG.
- INSULATION RANGE IS .035-.060 DIA.



VIEW A-A



SECTION B-B



SECTION C-C

61813-1

PART NO

|  |                           |  |
|--|---------------------------|--|
| DO NOT SCALE PRINT. UNLESS SPECIFIED DIMENSIONS IN mm [INCHES] TOLERANCES ON:<br>2 PLC DEC ± -<br>3 PLC DEC ± .015<br>ANGLES ± - | DR 8/26/97<br>JR RUTH     | AMP Incorporated<br>Harrisburg, PA 17105-3608    |
|  | CHK 8/26/97<br>MS FEHER   |  |
|  | APPD 8/26/97<br>J HUZVAR  |  |
|  | APPD 8/26/97<br>D BRATINA |  |
| MATERIAL<br>H04 BRASS  | PRODUCT SPEC<br>-         | NAME<br>TAB RECEPTACLE, .093                     |
| FINISH<br>PRE-TIN  | APPLICATION SPEC<br>-     | SIZE <b>B</b> CAGE CODE 00779 DRAWING NO C-61813 |
|  | WEIGHT -                  | SCALE 8:1 SHEET 1 OF 1                           |

THIS DRAWING IS A CONTROLLED DOCUMENT FOR AMP INCORPORATED. IT IS SUBJECT TO CHANGE AND THE CONTROLLING ENGINEERING ORGANIZATION SHOULD BE CONTACTED FOR THE LATEST REVISION.