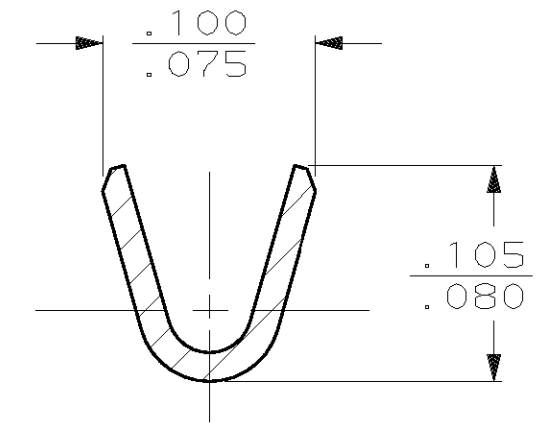
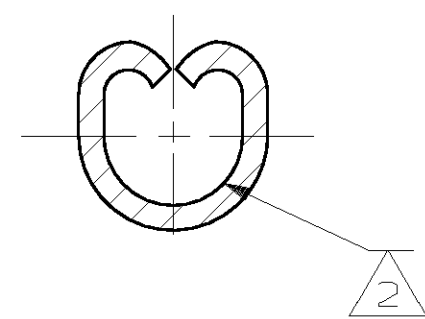
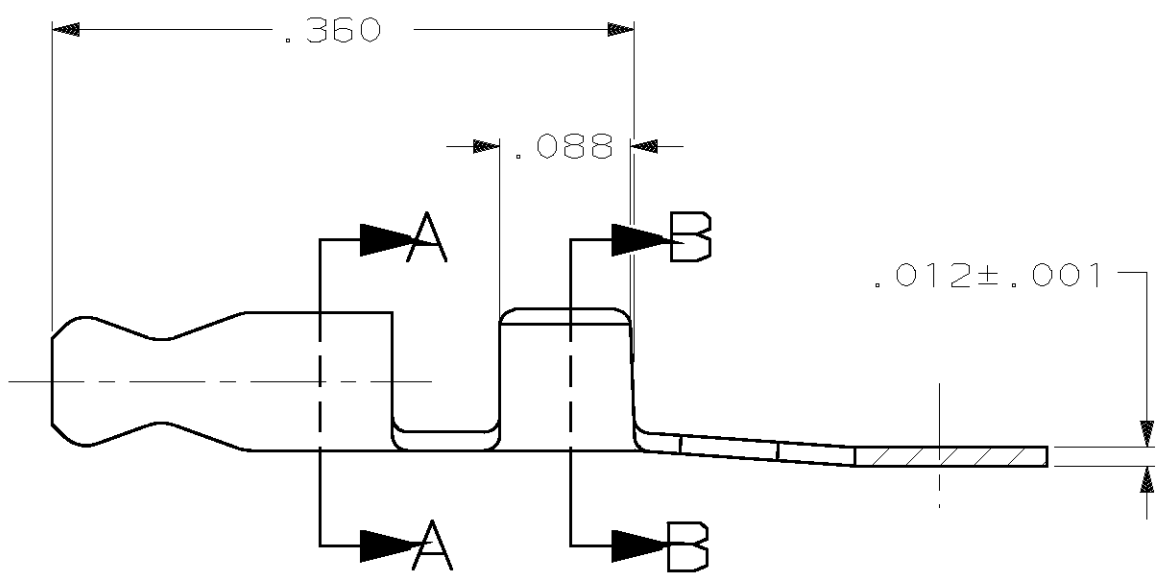
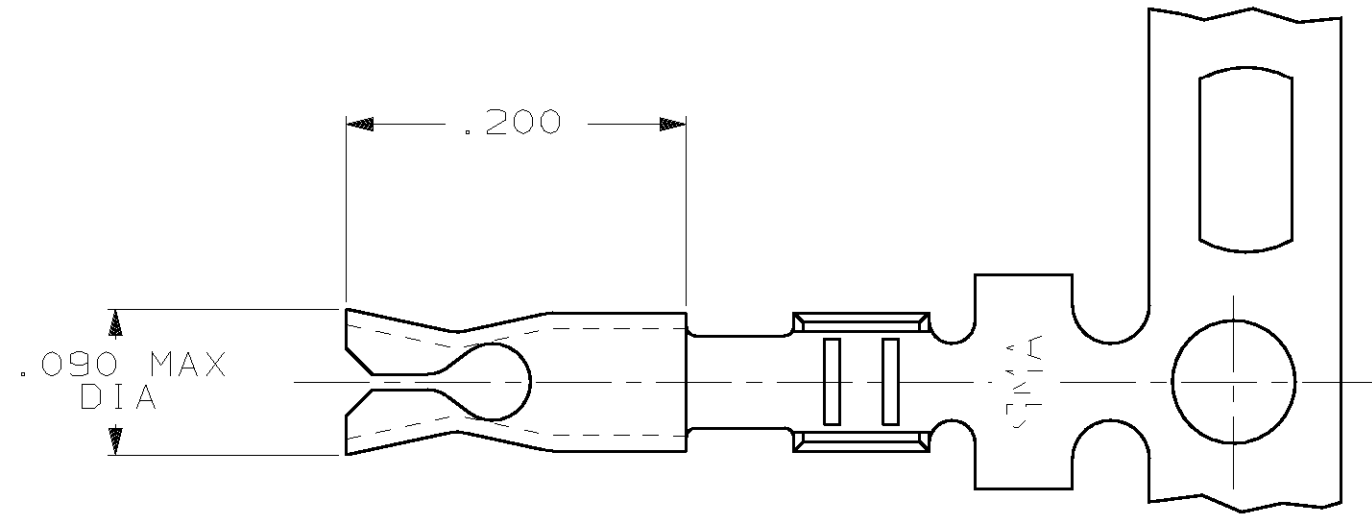


THIS DRAWING IS UNPUBLISHED. RELEASED FOR PUBLICATION, 19 .
 © COPYRIGHT 19 BY AMP INCORPORATED. ALL INTERNATIONAL RIGHTS RESERVED.

LOC	DIST	P	F	REVISIONS			DATE	APPD
AF	50			ZONE	LTR	DESCRIPTION		
					J	REL PER 0G3A-0543-00	16AUG00	JR/DD

- 1 CONTINUOUS STRIP ON REELS
- △ 2 F CRIMP TO STABILIZE PIN
- 3 WIRE SIZE IS #24-#20 AWG
- △ 4 PREPRODUCTION - FASR REQUIRED



SECTION A-A
SCALE 10:1

SECTION B-B
SCALE 10:1

WIRE BBL DOWN	△ 4 62160-3
WIRE BBL UP	62160-1
REELING	PART NO

DO NOT SCALE PRINT. UNLESS SPECIFIED DIMENSIONS IN INCHES TOLERANCES ON: 2 PLC DEC ± - 3 PLC DEC ± .015 ANGLES ± -	DR 1/27/88 PHILLIP M FORTNEY
	CHK 2/17/88 MICHAEL S FEHER
	APPD 2/17/88 GARY YETTER
MATERIAL T4 PHOS BRONZE	APPD 2/17/88 TERRY SHUTTER
FINISH TIN PL	PRODUCT SPEC -
	APPLICATION SPEC -
	WEIGHT -

AMP AMP INCORPORATED Harrisburg, Pa. 17105		NAME PIN RECEPTACLE, .040 DIA	
		SIZE B	FSCM NO 00779
DRAWING NO 62160		SCALE 8:1	
SHEET 1 OF 1		DRAWING NO 62160	