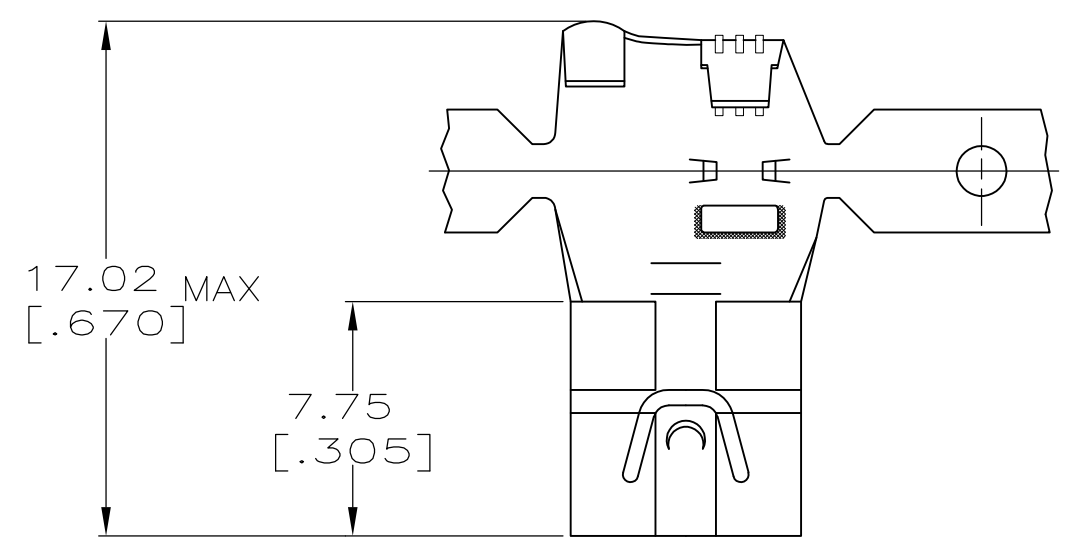
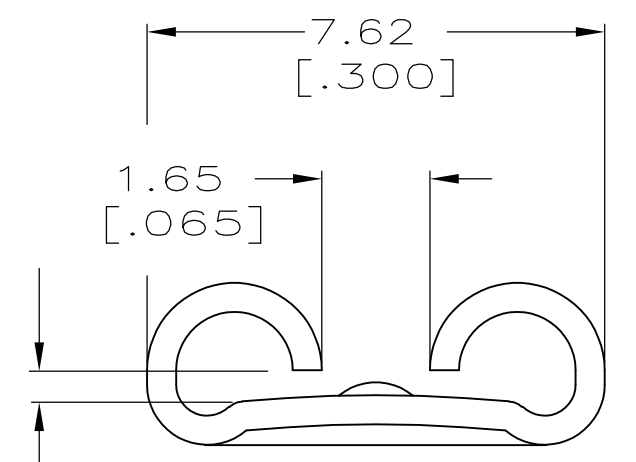


THIS DRAWING IS UNPUBLISHED. RELEASED FOR PUBLICATION
 © COPYRIGHT - By - ALL RIGHTS RESERVED.

LOC	DIST	REVISIONS					
AF	50	P	LTR	DESCRIPTION	DATE	DWN	APVD
		E		REVISED PER ECR-12-013518	23NOV2012	KH	PD

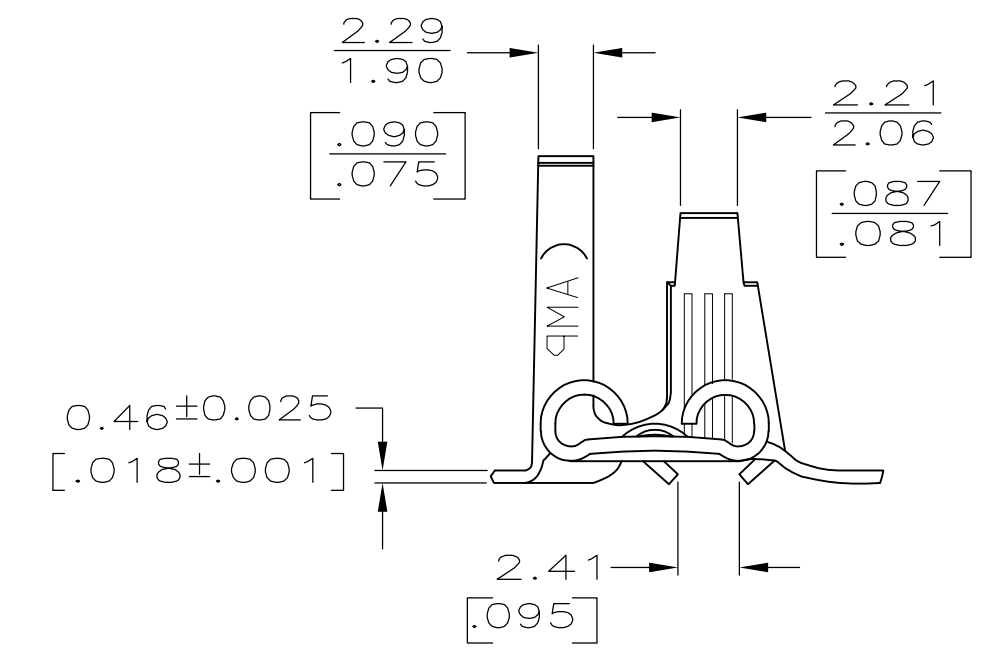


1 CONTINUOUS STRIP ON REELS.



FITS 6.35 [.250] SERIES FASTON TAB

VIEW A-A
SCALE 8:1



TIN	2.79-5.33	0.8mm ² - 3.0mm ²	0.81	63555-2
FINISH	[.110-.210]	18-12 AWG	[.032]	63555-1
	INSULATION RANGE	WIRE SIZE	MATING TAB THK ±0.025 [0.001]	PART NO

THIS DRAWING IS A CONTROLLED DOCUMENT.		DWN P FORTNEY 11/9/89	STE TE Connectivity	
		CHK JR RUTH 11/9/89		
DIMENSIONS: mm [INCHES]	TOLERANCES UNLESS OTHERWISE SPECIFIED:	APVD C MYERS 11/9/89	NAME	
	0 PLC ± -	PRODUCT SPEC R KUZO 11/9/89	RECEPTACLE, FASTON,™	
	1 PLC ± -	APPLICATION SPEC	FLAG, 6.35 [.250] SERIES	
MATERIAL BRASS	FINISH SEE TABLE	WEIGHT -	SIZE A3	CAGE CODE 00779
CUSTOMER DRAWING			DRAWING NO C-63555	RESTRICTED TO -
			SCALE 4:1	SHEET 1 OF 1
			REV E	