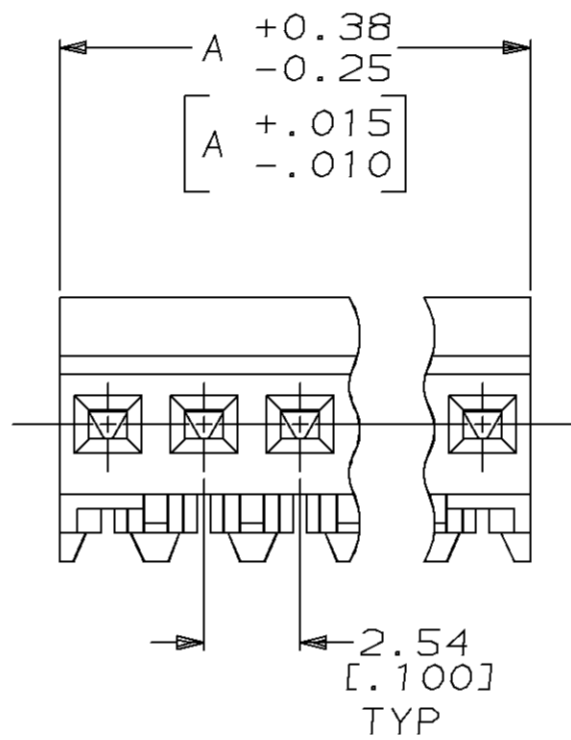
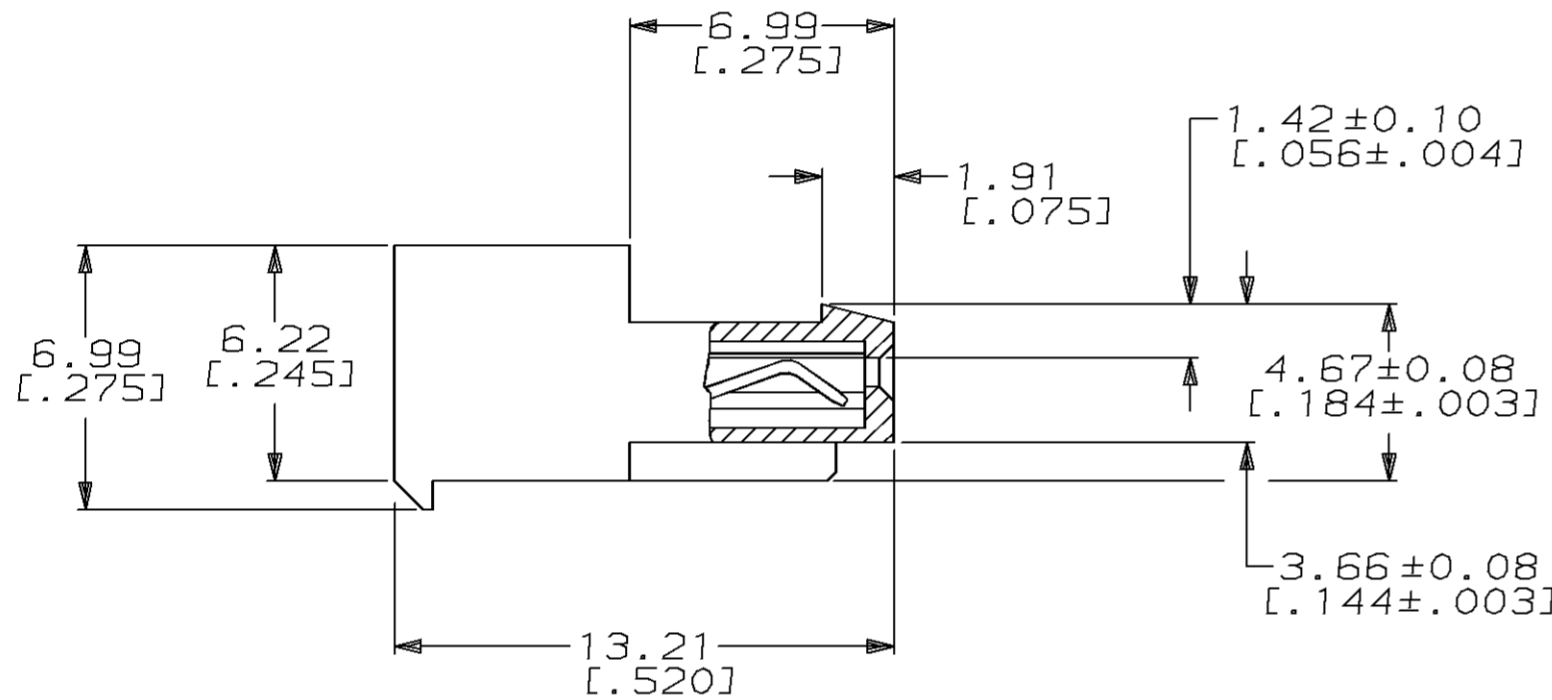
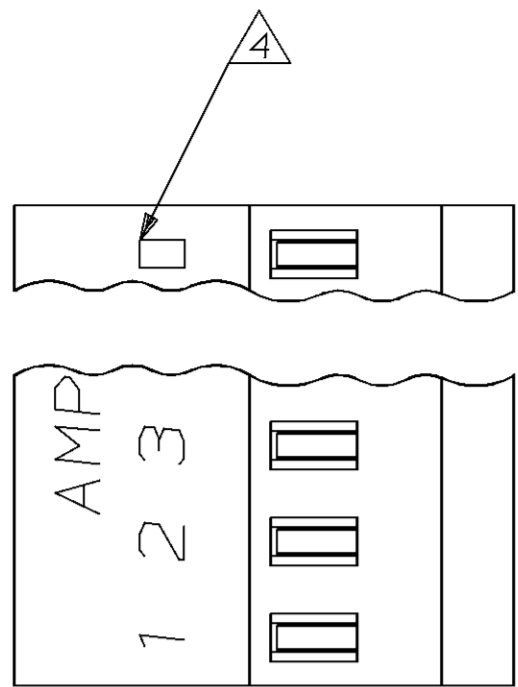


THIS DRAWING IS UNPUBLISHED. RELEASED FOR PUBLICATION, 19 .
 © COPYRIGHT 19 BY AMP INCORPORATED. ALL INTERNATIONAL RIGHTS RESERVED.

LOC	DIST	P	F	ZONE	LTR	REVISIONS	DATE	APPD
CM	54				T	REACT -15 THRU -19, -21, -22, -23 -25 THRU -28 PER EC 0730-0095-96	5-21-96	BL RS



DIM A	NO OF CIRCUITS	PART NO
71.12 [2.800]	28	2-641239-8
68.58 [2.700]	27	2-641239-7
66.04 [2.600]	26	2-641239-6
63.50 [2.500]	25	2-641239-5
60.96 [2.400]	24	2-641239-4
58.42 [2.300]	23	2-641239-3
55.88 [2.200]	22	2-641239-2
53.34 [2.100]	21	2-641239-1
50.80 [2.000]	20	2-641239-0
48.26 [1.900]	19	1-641239-9
45.72 [1.800]	18	1-641239-8
43.18 [1.700]	17	1-641239-7
40.64 [1.600]	16	1-641239-6
38.10 [1.500]	15	1-641239-5
35.56 [1.400]	14	1-641239-4
33.02 [1.300]	13	1-641239-3
30.48 [1.200]	12	1-641239-2
27.94 [1.100]	11	1-641239-1
25.40 [1.000]	10	1-641239-0
22.86 [.900]	9	641239-9
20.32 [.800]	8	641239-8
17.78 [.700]	7	641239-7
15.24 [.600]	6	641239-6
12.70 [.500]	5	641239-5
10.16 [.400]	4	641239-4
7.62 [.300]	3	641239-3
5.08 [.200]	2	641239-2

- 1 MATERIAL: CONNECTOR - NYLON UL94V-2 (BLUE).
CONTACTS - 0.30[.012] THICK COPPER ALLOY
(0.00076 [.000030] GOLD)
- 2. CONTACTS ACCEPT 26 AWG WIRE WITH 1.52[.060] MAX INSULATION DIAMETER.
- 3. CONTACTS MUST ACCEPT 0.64±0.03[.025±.001] SQUARE POST AND REMAIN LOCKED IN POSITION.
- 4 IDENTIFICATION NUMBER FOR LAST CIRCUIT MAY NOT APPEAR ON ALL ASSEMBLIES.
- 5. DIMENSIONS IN BRACKETS ARE IN INCHES.
- 6. HOUSING FEATURES ARE: CLOSED END WITH LOCKING RAMP.

DO NOT SCALE PRINT. UNLESS SPECIFIED DIMENSIONS IN mm [INCHES] TOLERANCES ON : 2 PLC DEC ± - 3 PLC DEC ± 0.13 [.005] ANGLES ± -	DR 4-22-91 B. LEWIS CHK 4-22-91 R. SWING APPD 4-22-91 G. MILLER APPD 4-22-91 G. MILLER	AMP AMP Incorporated Harrisburg, PA 17105-3608	
MATERIAL	PRODUCT SPEC 108-1050	NAME MTA-100 CONNECTOR ASSEMBLY, 26 AWG, STANDARD	
FINISH	APPLICATION SPEC 114-1019	SIZE C	CAGE CODE 00779
	WEIGHT -	DRAWING NO 641239	SCALE 5:1
		SHEET 1 OF 1	

METRIC