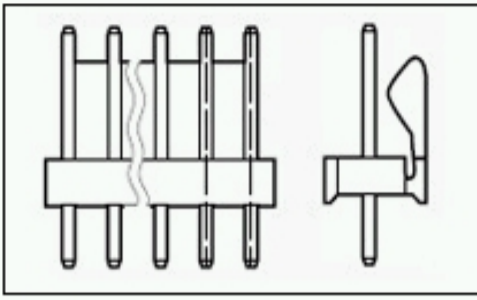


## 643140-2 Product Details

[Live Product Chat](#)



### 643140-2

TE Part Number: 643140-2

✔ [Active](#)

[Add to Part List](#)

## MTA, CST-100 II, MT-6 and SL Connectors and Headers

✔ [Always EU RoHS/ELV Compliant \(Statement of Compliance\)](#)

### Product Highlights:

- MTA-100 Connectors
- Number of Positions = 5
- Mating Type = Header
- Wire-to-Board Application
- 2.54 mm Contact Centerline Spacing

[View all Features](#) | [Find Similar Products](#)

### Quick Links

- ▶ [Check Pricing & Availability](#)
- ▶ [Search for Tooling](#)
- ▶ [Product Feature Selector](#)
- ▶ [Contact Us About This Product](#)
- ▶ [Request Samples](#)

**NEW!**

## Documentation & Additional Information

### Product Drawings:

- [MTA-100 HEADER ASSEMBLY, FRICTION LOCK, NOTCHED, .025 ...](#) (PDF, English)

### Catalog Pages/Data Sheets:

- None Available

### Product Specifications:

- None Available

### Application Specifications:

- None Available

### Instruction Sheets:

- None Available

### CAD Files:

- None Available

### Additional Information:

- [Product Line Information](#)

### Related Products:

- [Tooling](#)

[List all Documents](#)

## Product Features (Please use the Product Drawing for all design activity)

### Product Type Features:

- [Product Type](#) = MTA-100 Connectors
- [Number of Positions](#) = 5
- [Mating Type](#) = Header
- [PCB Mount Angle](#) = Vertical
- PCB Retention Feature = No
- [Mating Polarization](#) = Without
- [Mating Connector Lock](#) = With
- [Four Points of Contact](#) = Without
- [Shrouded](#) = No
- [Mounting Ears](#) = Without
- Mating Connector Lock Type = Friction Lock
- PCB Thickness (mm [in]) = 1.60 [0.063]
- Post Size (mm [in]) = 0.64 [.025]

### Mechanical Attachment:

- [Panel Attachment](#) = Without

### Electrical Characteristics:

- Voltage Rating (VAC) = 250

### Termination Related Features:

- [Solder Tail Contact Plating](#) = Tin
- Termination (Solder) Post Length (mm [in]) = 3.56 [0.140]

### Body Related Features:

- [Narrow](#) = No
- [Post Number\(s\) Omitted](#) = 4
- Solder Tail Contact Material = Copper Alloy

### Contact Related Features:

- [Contact Centerline Spacing \(mm \[in\]\)](#) = 2.54 [0.100]
- [Contact Shape](#) = Square
- [Contact Mating Area Plating Material](#) = Tin
- [Contact Material](#) = Copper Alloy

### Housing Related Features:

- Housing Color = Natural
- Housing Flammability Rating = UL 94V-0
- Housing Material = Thermoplastic Polyester

### Configuration Related Features:

- [Backwall/Post Interruption\(s\)](#) = Without

### Industry Standards:

- [RoHS/ELV Compliance](#) = RoHS compliant, ELV compliant
- [Lead Free Solder Processes](#) = Wave solder capable to 240°C, Wave solder capable to 260°C, Wave solder capable to 265°C
- RoHS/ELV Compliance History = Always was RoHS compliant

### Conditions for Usage:

- [Terminate To](#) = Printed Circuit Board

### Operation/Application:

- [Application](#) = Wire-to-Board

### Other:

- Brand = AMP