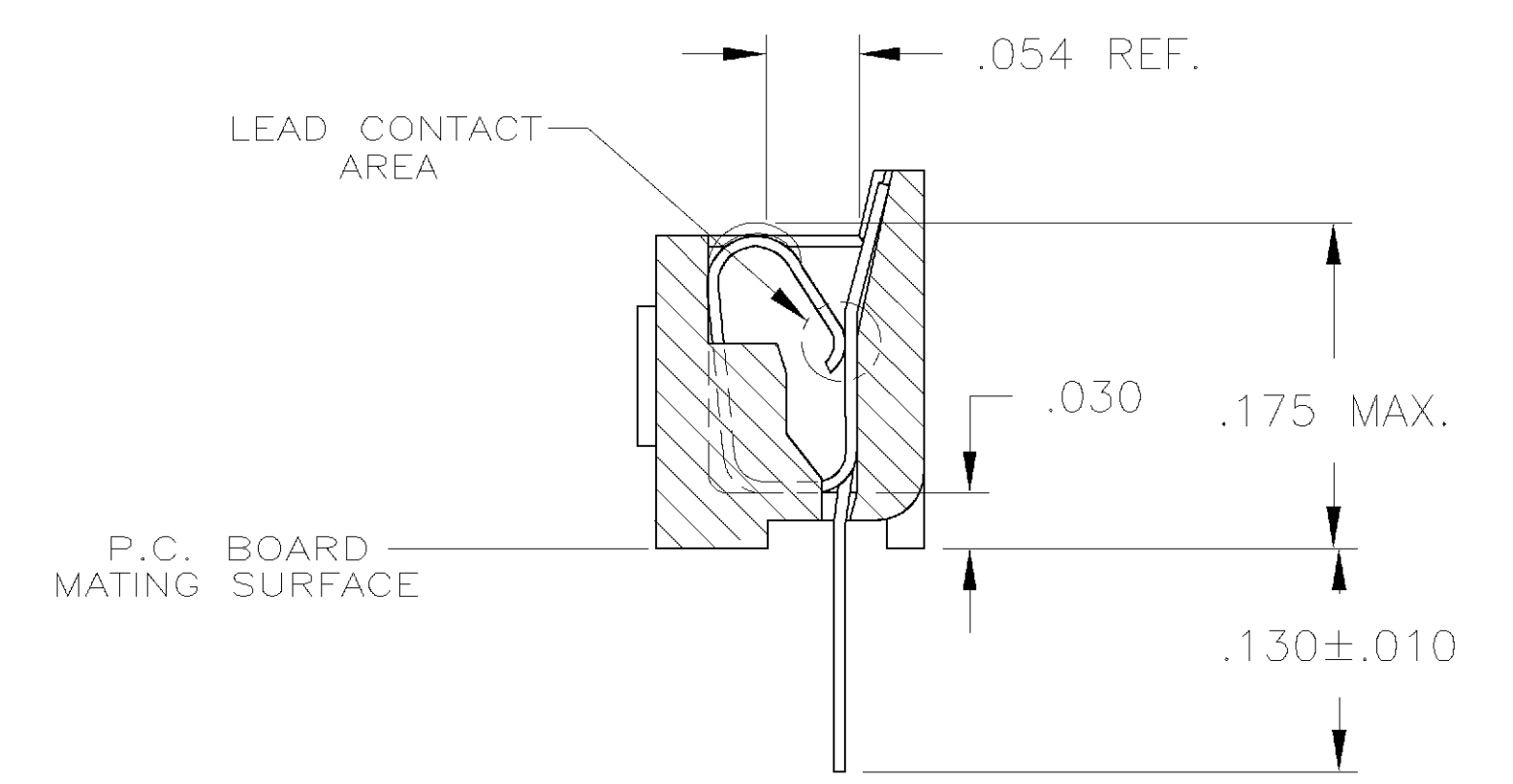
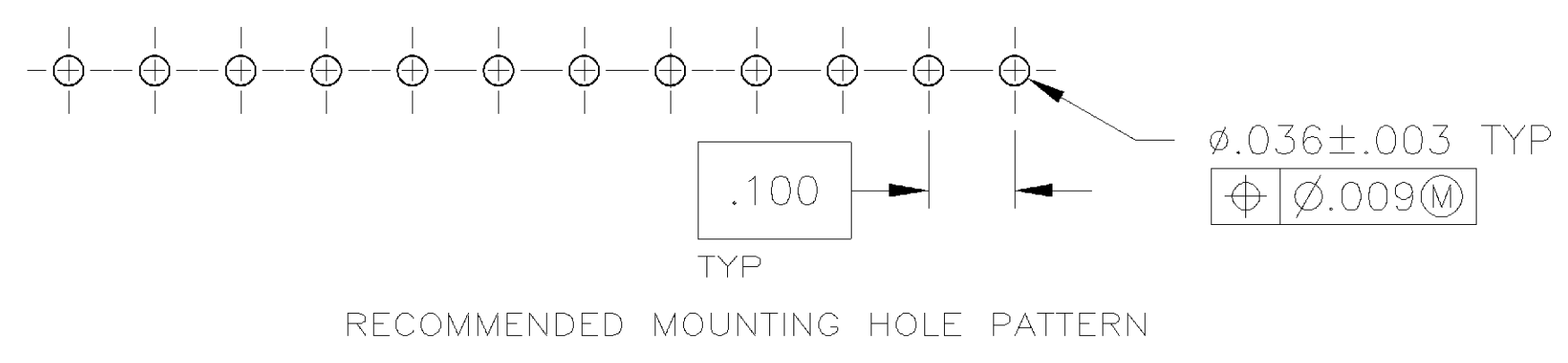
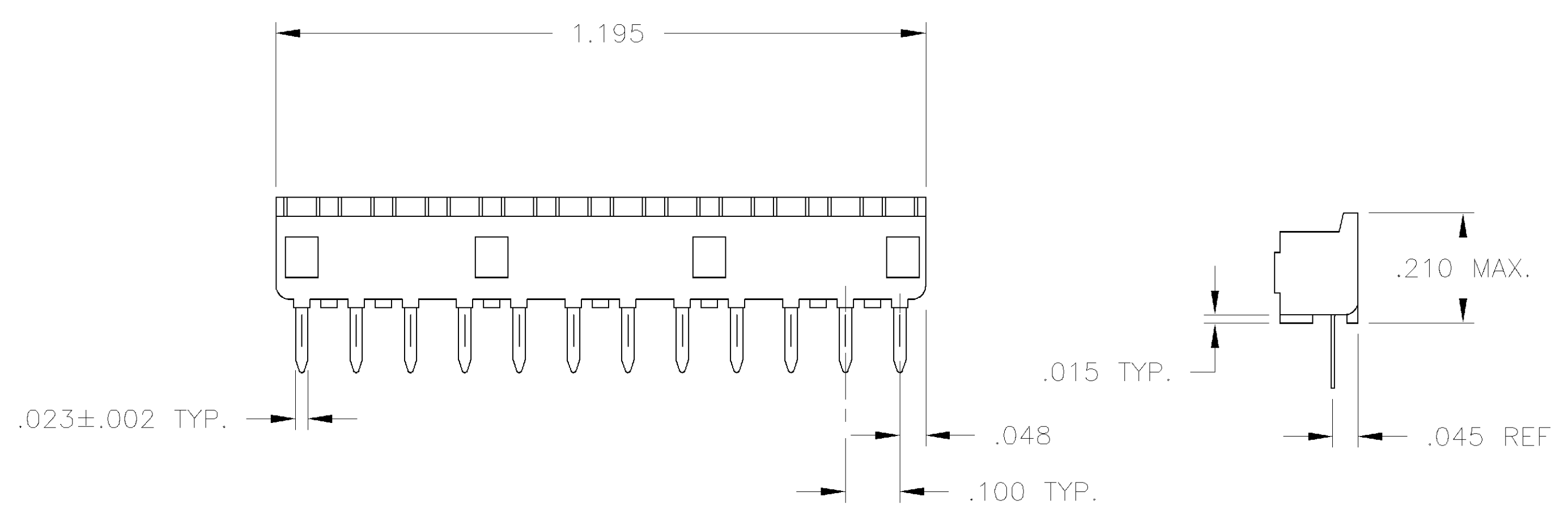


SECTION A-A
 ROTATED 90° CW
 SCALE 10:1
 FOR -6, -7 & -8 ONLY



SECTION A-A
 ROTATED 90° CW
 SCALE 10:1
 FOR -1, -2 & -3 ONLY

- 1. RECEPTACLE ACCEPTS AN .008-.014 THK. I.C. LEAD.
- 2. TWO .000030 MIN. THK. GOLD STRIPES IN CONTACT AREA, TIN-LEAD(93-7) ON CONTACT LEGS, BALANCE OF CONTACT NICKEL PLATED.
- 3. TWO .000015 MIN. THK. GOLD STRIPES IN CONTACT AREA, TIN-LEAD(93-7) ON CONTACT LEGS, BALANCE OF CONTACT NICKEL PLATED.
- 4. TUBE LOADED.



OBSOLETE	△	TINNED	PHOS.BRZ.	GLASS-FILLED THERMOPLASTIC, 94V-O, BLACK	2-643644-3
		TINNED	PHOS.BRZ.	GLASS-FILLED THERMOPLASTIC, 94V-O, BLACK	643644-8
OBSOLETE	△	BE.CU.	GLASS-FILLED THERMOPLASTIC, 94V-O, BLACK	643644-7	
		TINNED	BE.CU.	GLASS-FILLED THERMOPLASTIC, 94V-O, BLACK	643644-6
SUPSD BY 643644-2	△	PHOS.BRZ.	GLASS-FILLED THERMOPLASTIC, 94V-O, BLACK	643644-4	
		TINNED	PHOS.BRZ.	GLASS-FILLED THERMOPLASTIC, 94V-O, BLACK	643644-3
OBSOLETE	△	BE.CU.	GLASS-FILLED THERMOPLASTIC, 94V-O, BLACK	643644-2	
		TINNED	BE.CU.	GLASS-FILLED THERMOPLASTIC, 94V-O, BLACK	643644-1
		CONTACT FINISH	CONTACT MAT'L	HOUSING MATERIAL	PART NO.

THIS DRAWING IS A CONTROLLED DOCUMENT.

DIMENSIONS: INCHES	TOLERANCES UNLESS OTHERWISE SPECIFIED:	0 PLC ± -	1 PLC ± -	2 PLC ± -	3 PLC ± .005	4 PLC ± -	ANGLES ± -
--------------------	--	-----------	-----------	-----------	--------------	-----------	------------

MATERIAL	SEE TABLE	FINISH	SEE TABLE	WEIGHT	-	SIZE	A1	CAGE CODE	00779	DRAWING NO.	643644	RESTRICTED TO	-
----------	-----------	--------	-----------	--------	---	------	----	-----------	-------	-------------	--------	---------------	---

CUSTOMER DRAWING SCALE 5:1 SHEET 1 OF 1 REV L