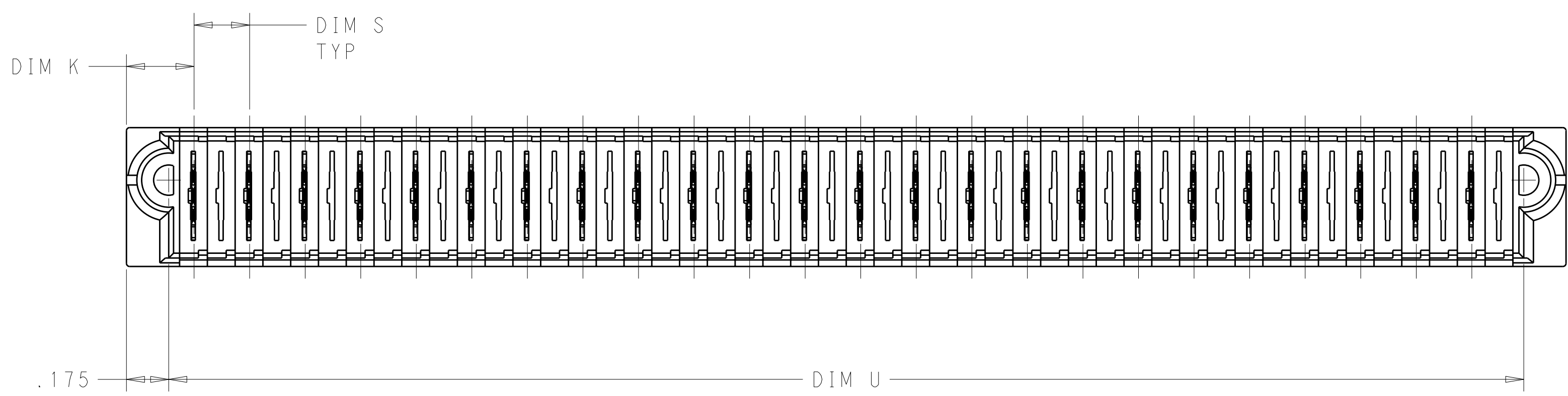
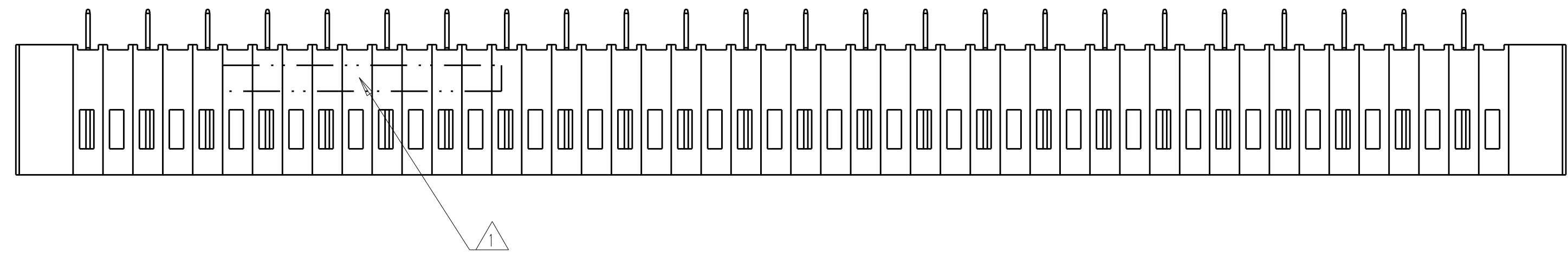
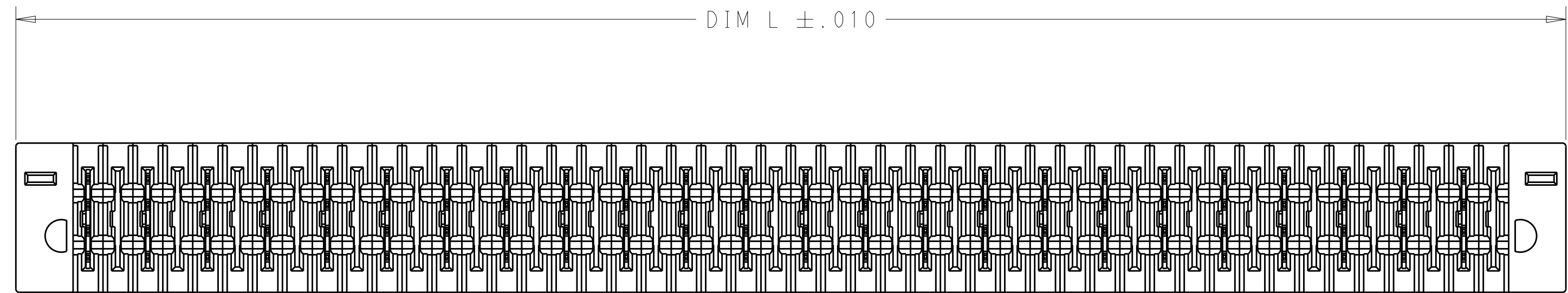
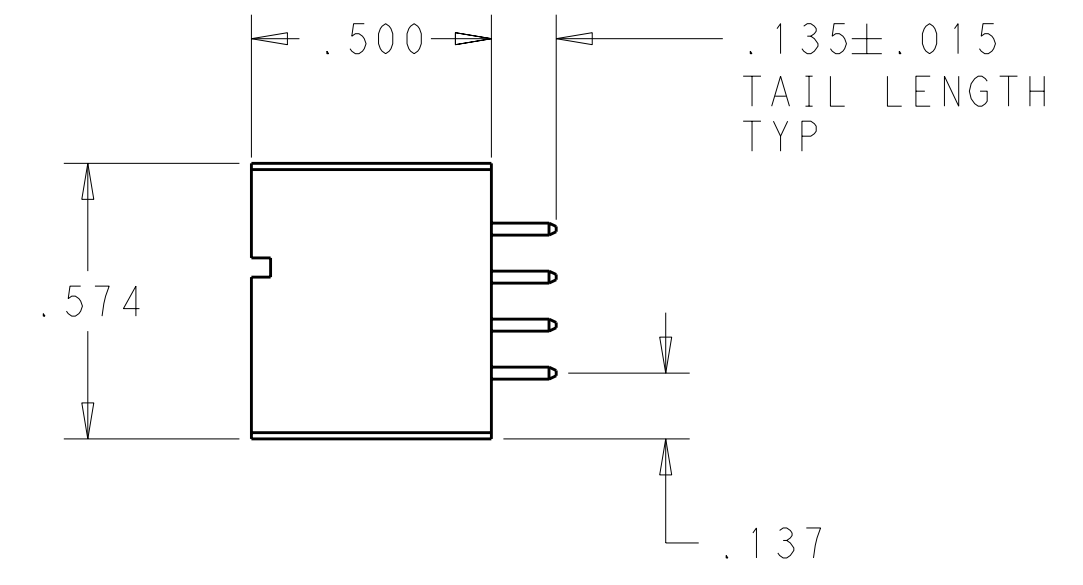


LOC	DIST	REVISIONS				
ES	00	REV	DESCRIPTION	DATE	DWN	APVD
		A	REV PER ECR-11-017732	26AUG2011	CZ	SY



- ① HEADER HOUSING: THERMO PLASTIC, BLACK, UL94 V-O; CONTACTS AND RETENTION CLIPS: COPPER ALLOY.
- ② PIN CONTACTS: .000030 MIN GOLD IN MATING AREA, .000100 MIN TIN ON POST AREAS, BOTH OVER .000050 MIN NICKEL.
 POWER CONTACTS: .000030 MIN GOLD IN MATING AREA, .000100 MIN TIN ON POST AREAS, BOTH OVER .000050 MIN NICKEL.
 RETENTION CLIP: .000050 MIN. NI UNDER ALL, .000030 MIN. MATTE Sn OVER ALL
- ③ PART NUMBER AND DATE CODE MARKED IN THIS AREA. PARTS UNDER 2.50 LONG MAY BE MARKED ON BOTH SIDES.
- ④ DATUM AND BASIC DIMENSIONS ESTABLISHED BY CUSTOMER.
- ⑤ PCB - ALL HOLE DIAMETERS ARE FINISHED HOLE SIZES.
- ⑥ MECHANICAL CONNECTOR KEEP OUT ZONE.
- ⑦ VARIABLE DIMENSION PLEASE SEE PART VIEW .

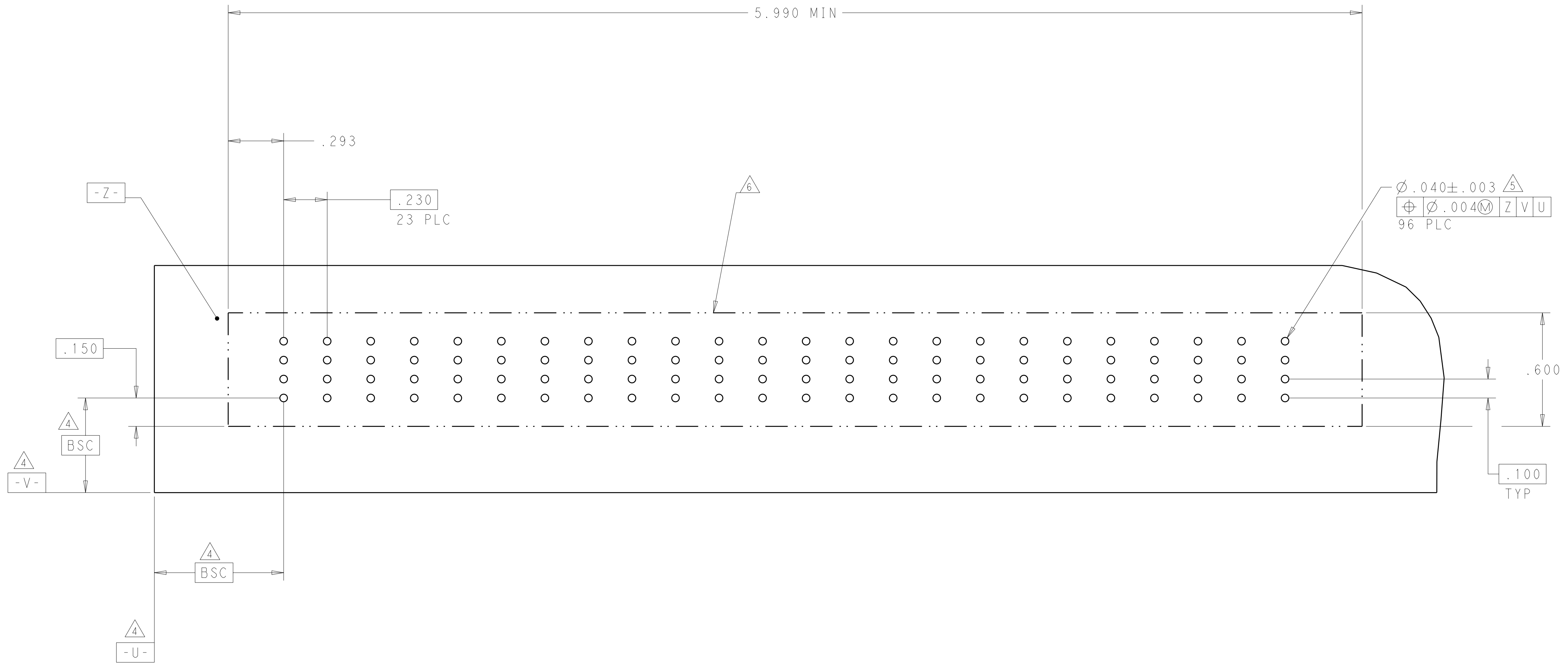


1.110	⑦	.3275	1.460	6 LP	6450813-2
5.610	.230	.2775	5.960	24 LP	6450813-1
DIM U	DIM S	DIM K	DIM L	DESCRIPTION	PART NUMBER
THIS DRAWING IS A CONTROLLED DOCUMENT.			DWN C. ZHOU CHK S. ZHAO APVD	16JUN2011	
DIMENSIONS: inch		TOLERANCES UNLESS OTHERWISE SPECIFIED:		NAME	
		9 PLC ± 1 PLC ± 2 PLC ± 3 PLC ±.005 4 PLC ±.0020 ANGLES ±.2°		PRODUCT SPEC 108-2292 APPLICATION SPEC 114-13251	
MATERIAL		FINISH		SIZE CAGE CODE DRAWING NO A100779C=6450813	
①		②		WEIGHT CUSTOMER DRAWING	
SCALE 2:1				SHEET 1 OF 3 REV A	

LOC	DIST	REV	DATE	BY	APPD
ES	00				

REVISIONS					
REV	DATE	BY	APPD	DESCRIPTION	
-	-	-	-	SEE SHEET 1	

PART NUMBER	ROWS	LOW POWER																							
		LP1	LP2	LP3	LP4	LP5	LP6	LP7	LP8	LP9	LP10	LP11	LP12	LP13	LP14	LP15	LP16	LP17	LP18	LP19	LP20	LP21	LP22	LP23	LP24
6450813-1	D																								
	C	LXF	LXF	LXF	LXF	LXF	LXF	LXF	LXF	LXF	LXF	LXF	LXF	LXF	LXF	LXF	LXF	LXF	LXF	LXF	LXF	LXF	LXF	LXF	
	B																								
	A																								
24 LP																									

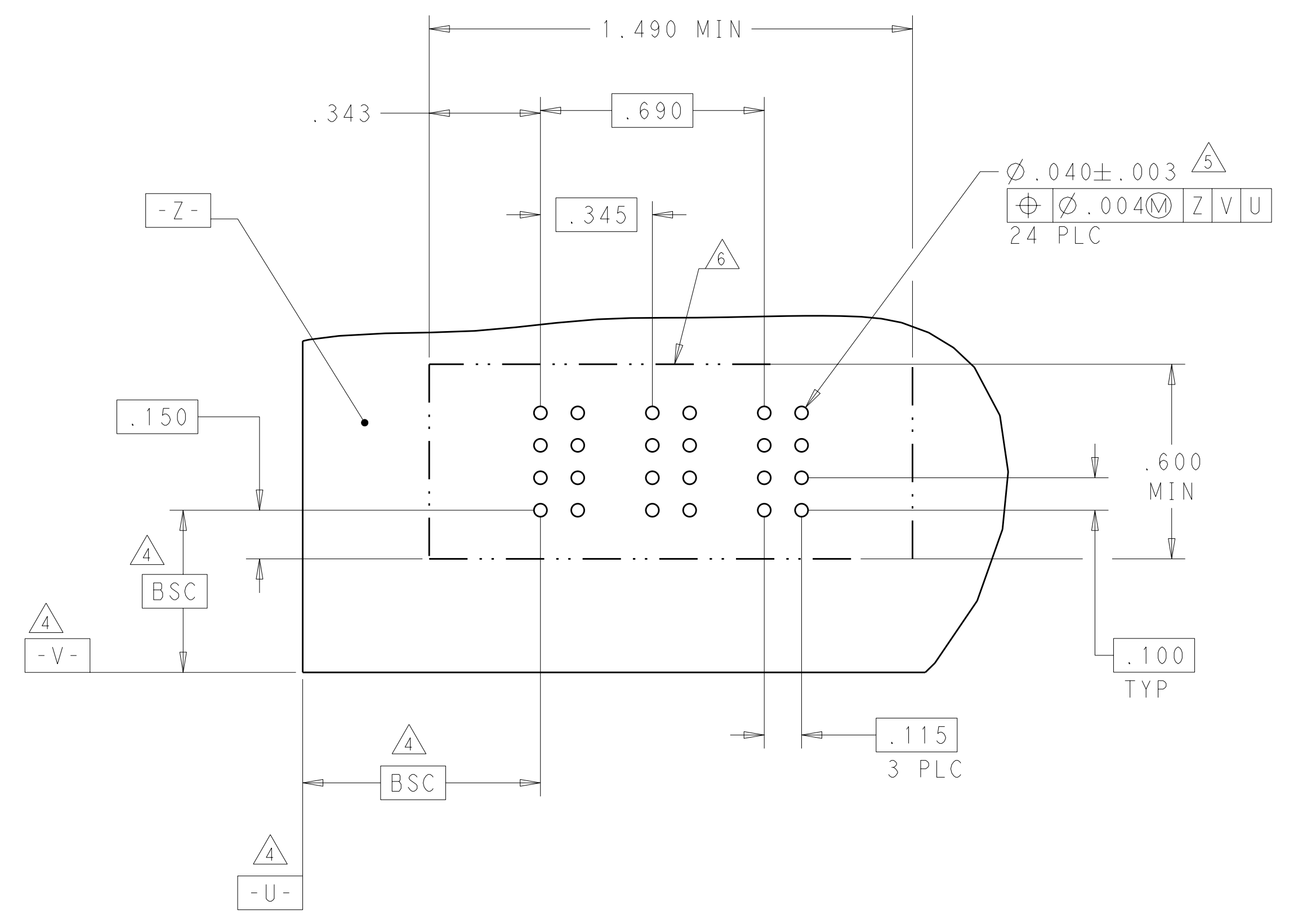
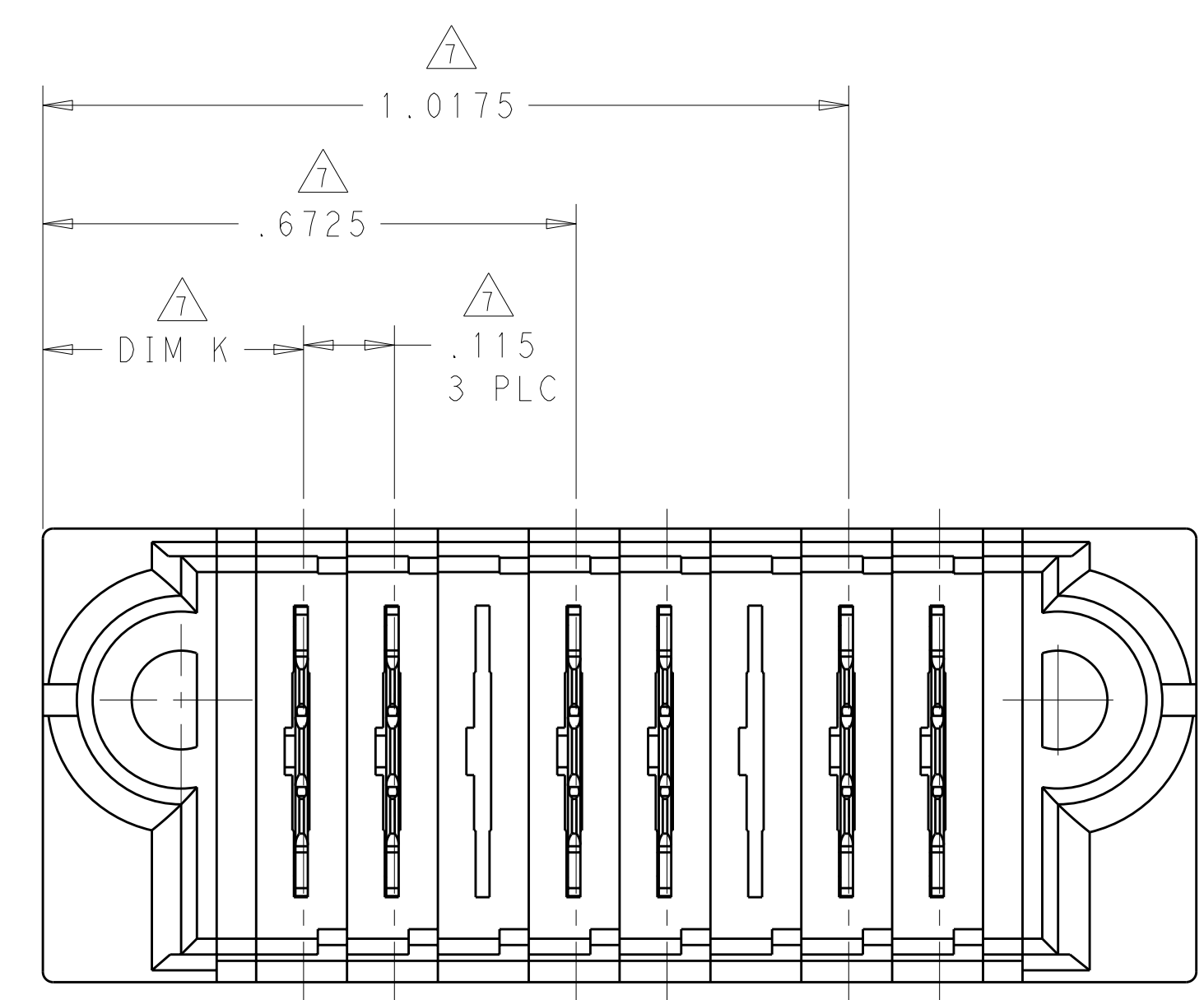


-	RETENTION CLIP	HD
MFBL	LOW POWER CONTACT .135	LXF
MATING SEQUENCE	DESCRIPTION	IDENTIFIER

THIS DRAWING IS A CONTROLLED DOCUMENT.		OWN: C. ZHOU	DATE: 16 JUN 2011	STE TE Connectivity
DIMENSIONS: inch		CHK: S. ZHAO	APVD: -	
TOLERANCES UNLESS OTHERWISE SPECIFIED:		PRODUCT SPEC		VERTICAL PLUG ASSEMBLY POWER ONLY, MULTI-BEAM XLE
9 PLC ±		108-2292		
3 PLC ±		APPLICATION SPEC		
4 PLC ±.005		114-13251		
ANGLES ±.0020		WEIGHT		SIZE: CAGE CODE DRAWING NO
FINISH		CUSTOMER DRAWING		A100779C-6450813
		SCALE: 2:1		SHEET 2 OF 3
				REV A

LOC	DIST	REVISIONS			
P	LTR	DESCRIPTION	DATE	DWN	APVD
ES	00	SEE SHEET 1	-	-	-

PART NUMBER	ROWS	LOW POWER					
		LP1	LP2	LP3	LP4	LP5	LP6
6450813-2	D		LXF	LXF	LXF	LXF	LXF
	C						
	B						
	A						
6 LP							



THIS DRAWING IS A CONTROLLED DOCUMENT.		DWN C. ZHOU	16 JUN 2011	TE Connectivity	
DIMENSIONS: in ch		CHK S. ZHAO	APVD		
TOLERANCES UNLESS OTHERWISE SPECIFIED:		PRODUCT SPEC		RESTRICTED TO	
9 PLC ± 1 PLC ± 2 PLC ± 3 PLC ±.005 4 PLC ±.0020 ANGLES ±.0020		108-2292		SIZE CAGE CODE DRAWING NO	
MATERIAL		APPLICATION SPEC		A100779C=6450813	
FINISH		114-13251		WEIGHT	
CUSTOMER DRAWING		SCALE 2:1		SHEET 3 OF 3 REV A	