

**Guiding Hardware (Continued)**

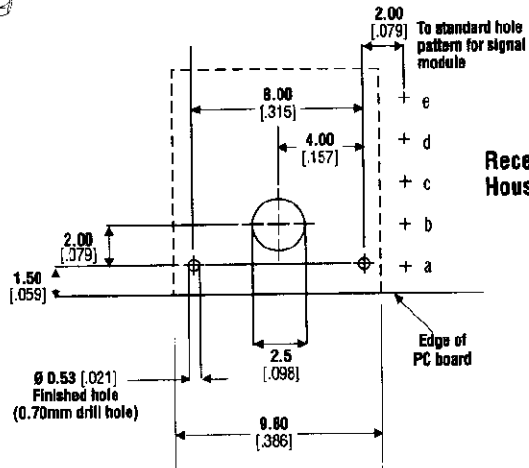
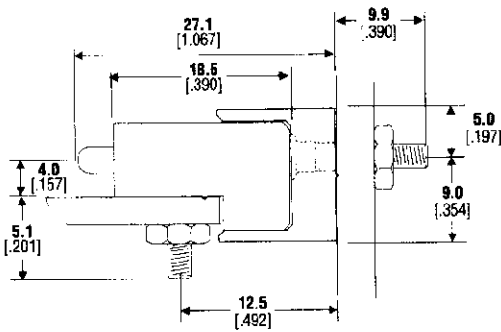
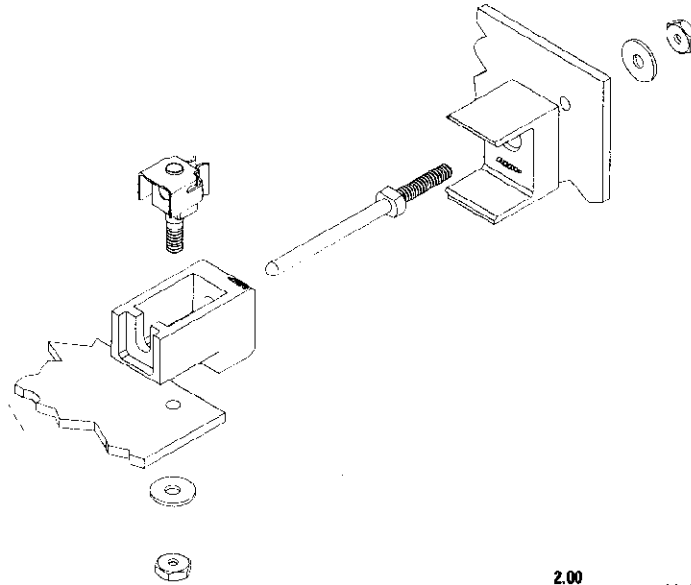
**Static Discharge Guide Pins**

Ground connection and guidance can be combined using this system which can be used instead of the guide pins shown on page 230. The contacts have a rating of 10A and give a make/break position 12mm [.472] in advance of level 3 signal contacts.

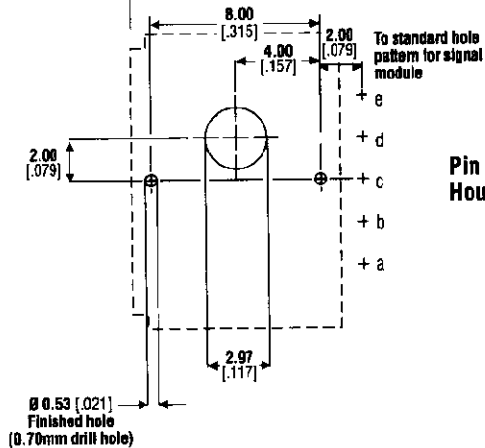
Alternative pin lengths are possible and the pin contact housing can be omitted if desired.

**Materials and Finish**

- Housings  
Glass filled polyester  
gray, UL94 V-0 rating
- Contacts  
Pin Brass
- Receptacle Copper alloy
- Plating, 0.8µm Au in contact area  
over 0.8µm min Ni



**Receptacle Housing Layout**



**Pin Housing Layout**

Part Numbers	
Pin Contact	532828-5
Pin Contact Housing	646274-1
Receptacle Contact	533065-6
Rec Contact Housing	646273-1
Nut	21124-4
Washer	986794-1