

Distributed by:

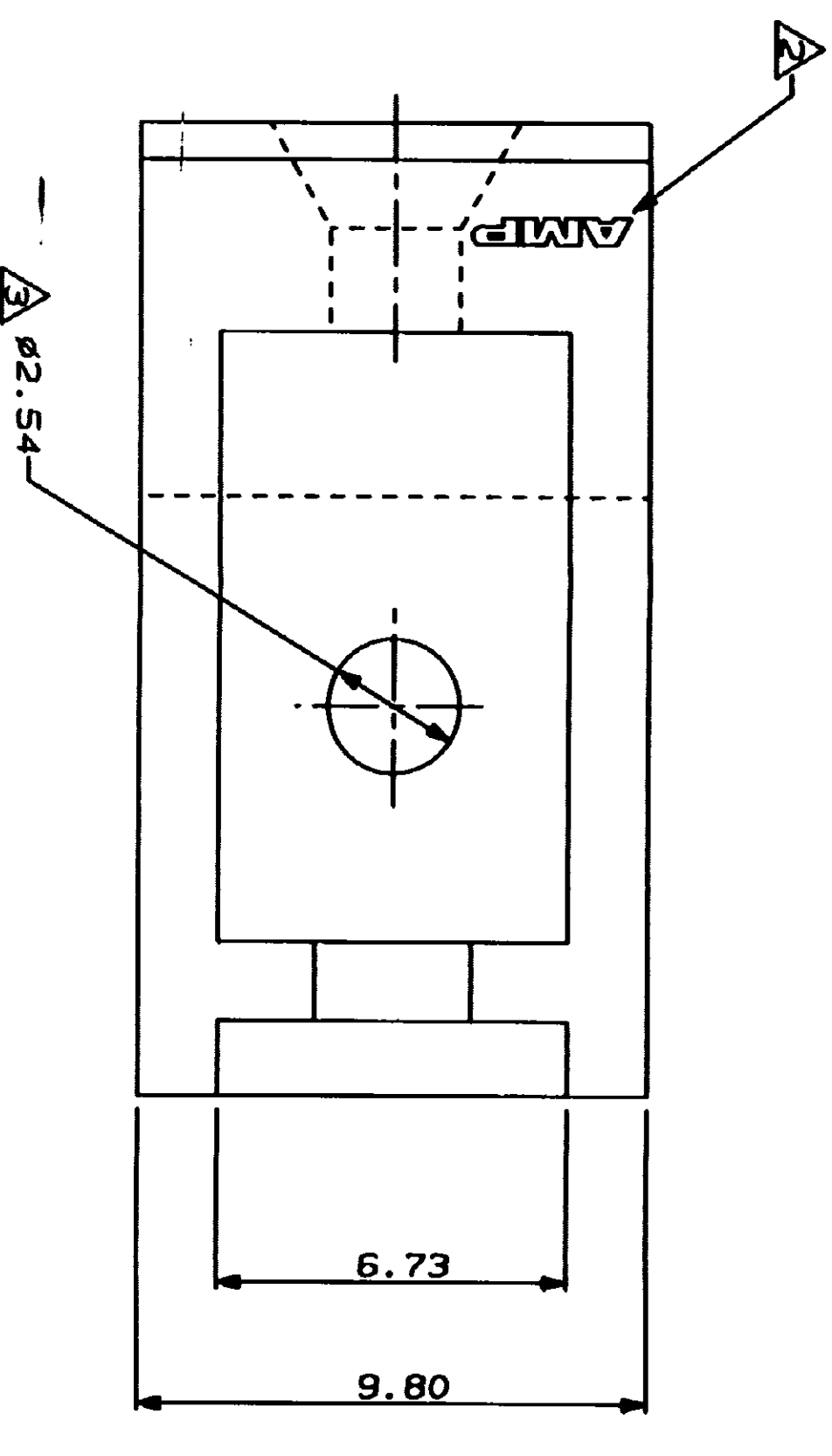
JAMECO[®]
ELECTRONICS

www.Jameco.com ♦ 1-800-831-4242

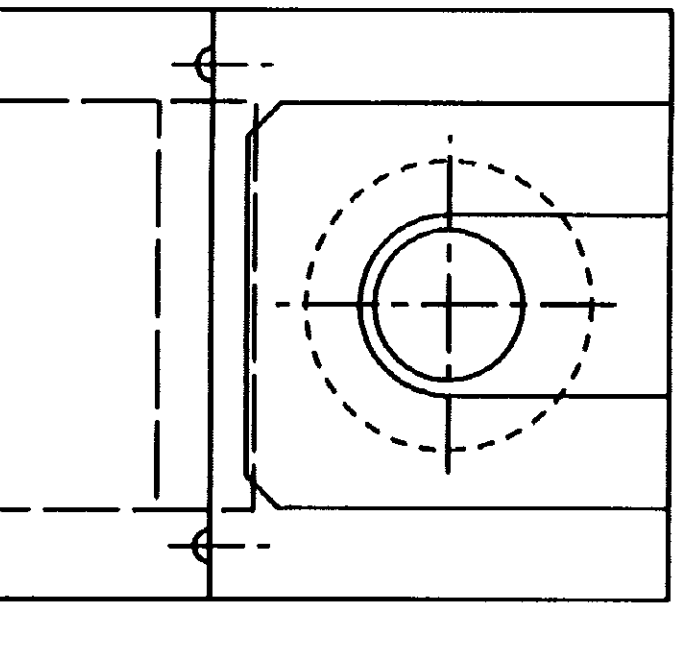
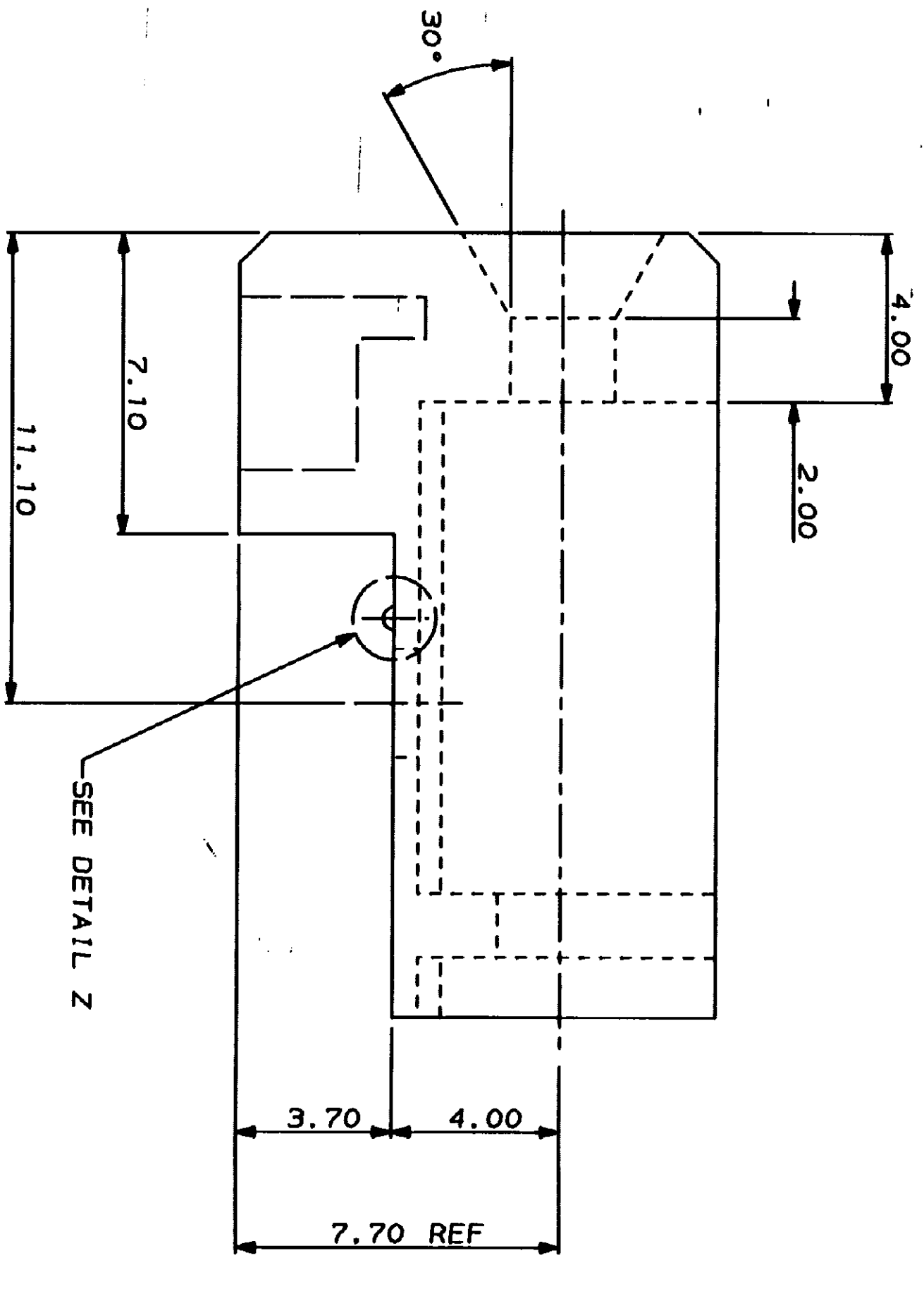
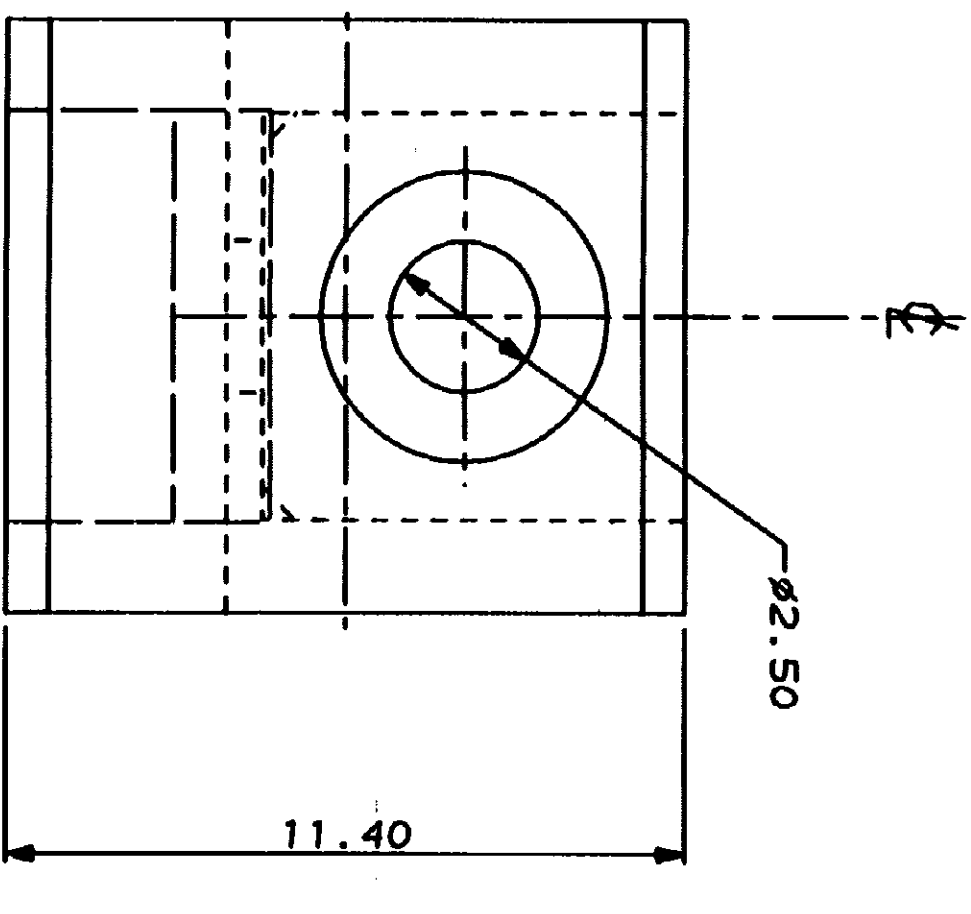
The content and copyrights of the attached
material are the property of its owner.

Jameco Part Number 757038

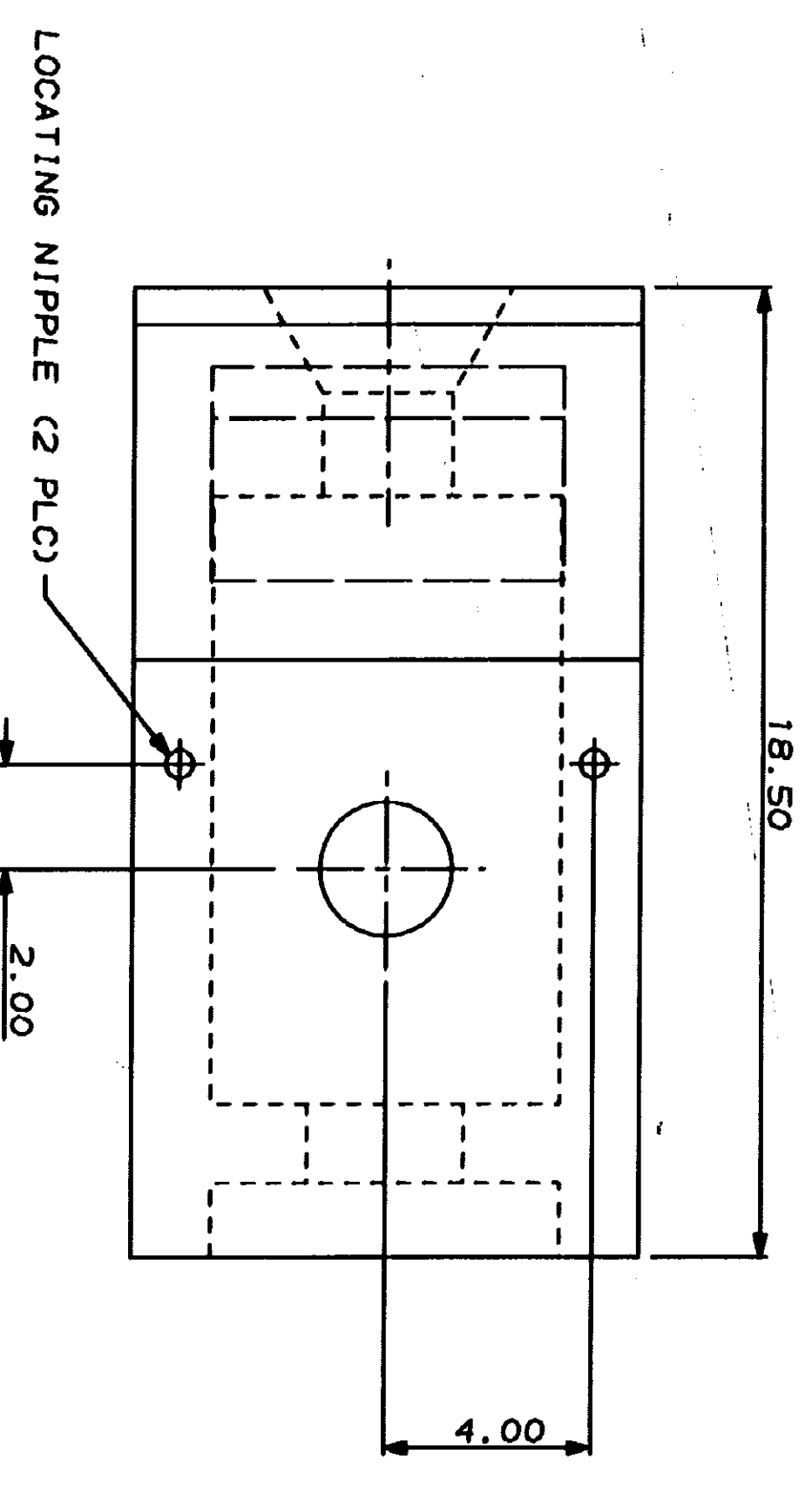
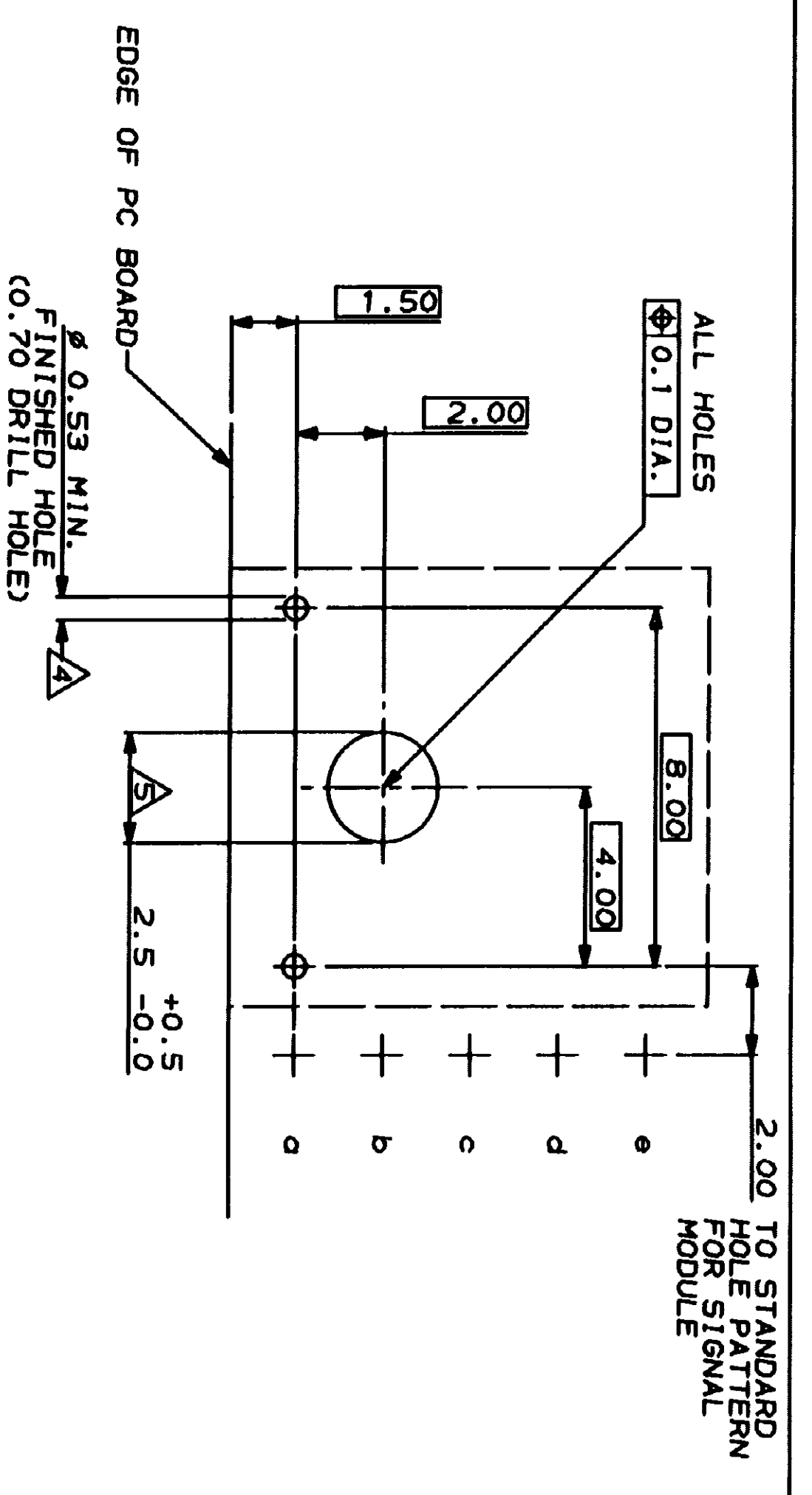
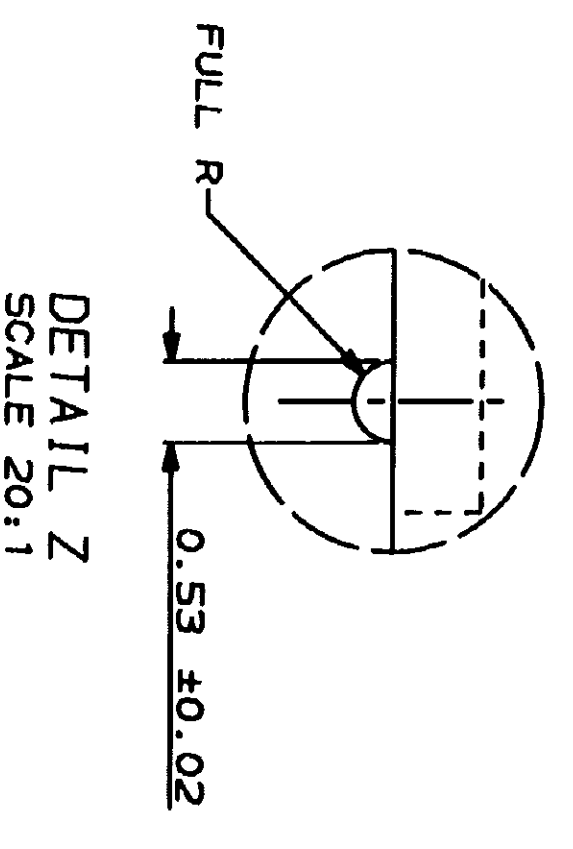
REV#	DATE	BY	REVISIONS
AD 47	8/2/93	[redacted]	REV. PER P.P.R. 92-6250-001.
0			DRG 1



- 1 MATERIAL: GRAY GLASS FILLED POLYESTER.
- 2 AMP TRADEMARK RECESSED.
- 3 THIS PART HAS A THRU HOLE TO ACCEPT GUIDE PIN RECEPTACLE, AMP PART NO. 533065-1.
- 4 LOCATING HOLES NEED NOT BE PLATED THRU HOLES, BUT LOCATING THRU HOLE IS DESIGNED TO FIT MIN. PLATED THRU HOLE DIA. 0.55mm FINISHED.
- 5 PLATED THRU HOLE FOR POWER APPLICATION ONLY.



SEE DETAIL Z



THIS DRAWING IS A CONTROLLED DOCUMENT FOR THE COMPANY. IT IS THE PROPERTY OF AMP INCORPORATED. IT IS TO BE USED ONLY FOR THE PURPOSES FOR WHICH IT WAS SPECIFICALLY DESIGNED AND THE COMPANY ASSUMES NO LIABILITY FOR USE OF THIS DRAWING FOR ANY OTHER PURPOSE. ALL RIGHTS ARE RESERVED.

<p>DO NOT SCALE PRINT. UNLESS SPECIFIED (DIMENSIONS IN INCHES) DIMENSIONS ON 1" DRAWINGS ± 0.015" 3/16" DEC ± 0.01" 1/8" DEC ± 0.015" DIMENSIONS ON 2" DRAWINGS ± 0.003" DIMENSIONS ON 4" DRAWINGS ± 0.0015"</p>	<p>DR 12/02/92 D.R. BENDER L.A. BARBUS L.A. BARBUS L.A. BARBUS L.A. BARBUS</p>	<p>AMP INCORPORATED Horsham, PA 17106-3608</p>
<p>FINISH - △</p>	<p>APPLICATION SPEC HEIGHT -</p>	<p>AMP POWER/GUIDE RECEPTACLE HOUSING MOULDED, 2mmHM</p>
<p>SIZE 00779</p>	<p>CAGE CODE 00779</p>	<p>INSULATING NO 646273</p>
<p>SCALE 8:1</p>	<p>SHEET 1 OF 1</p>	<p>PART NO</p>