

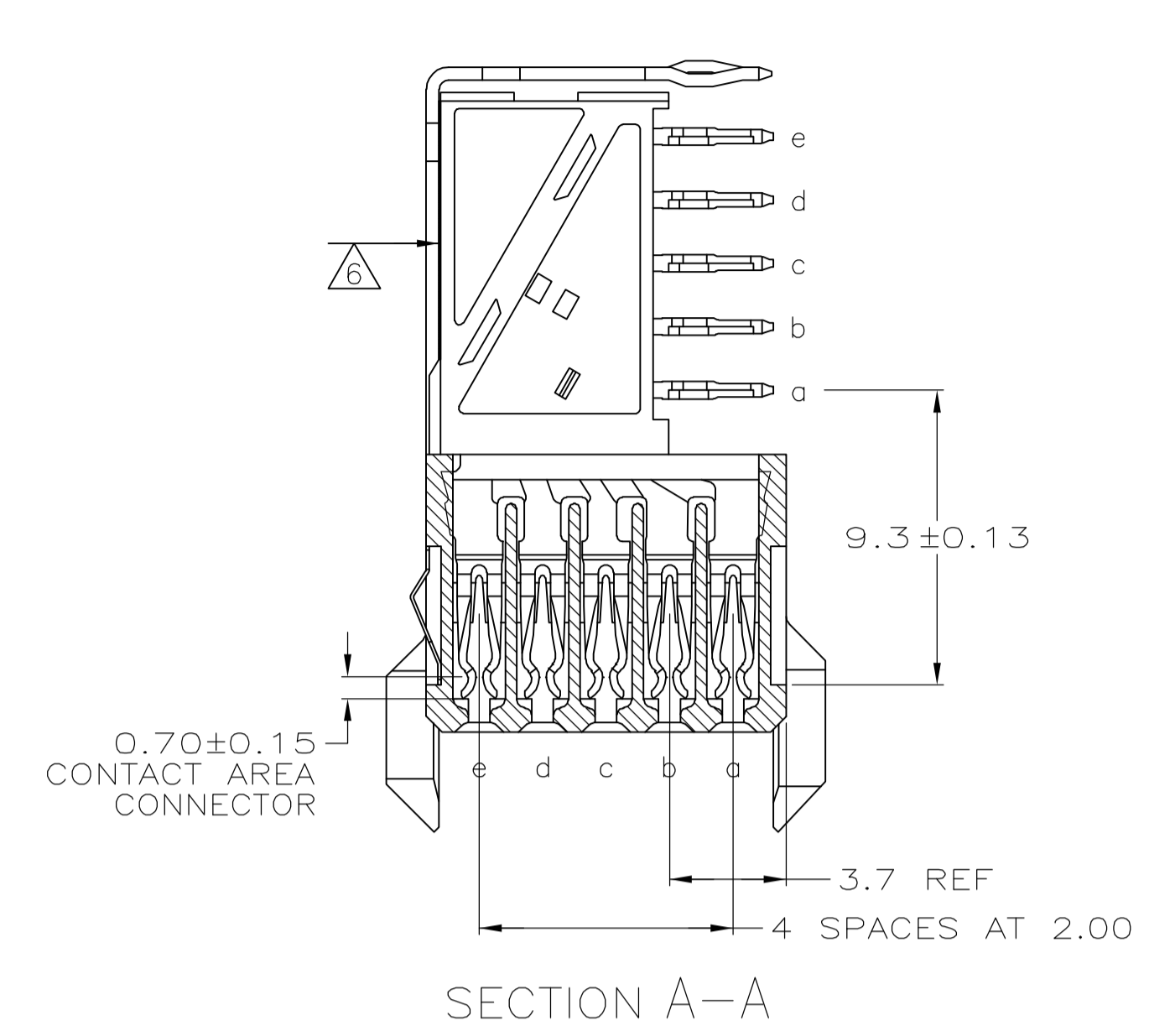
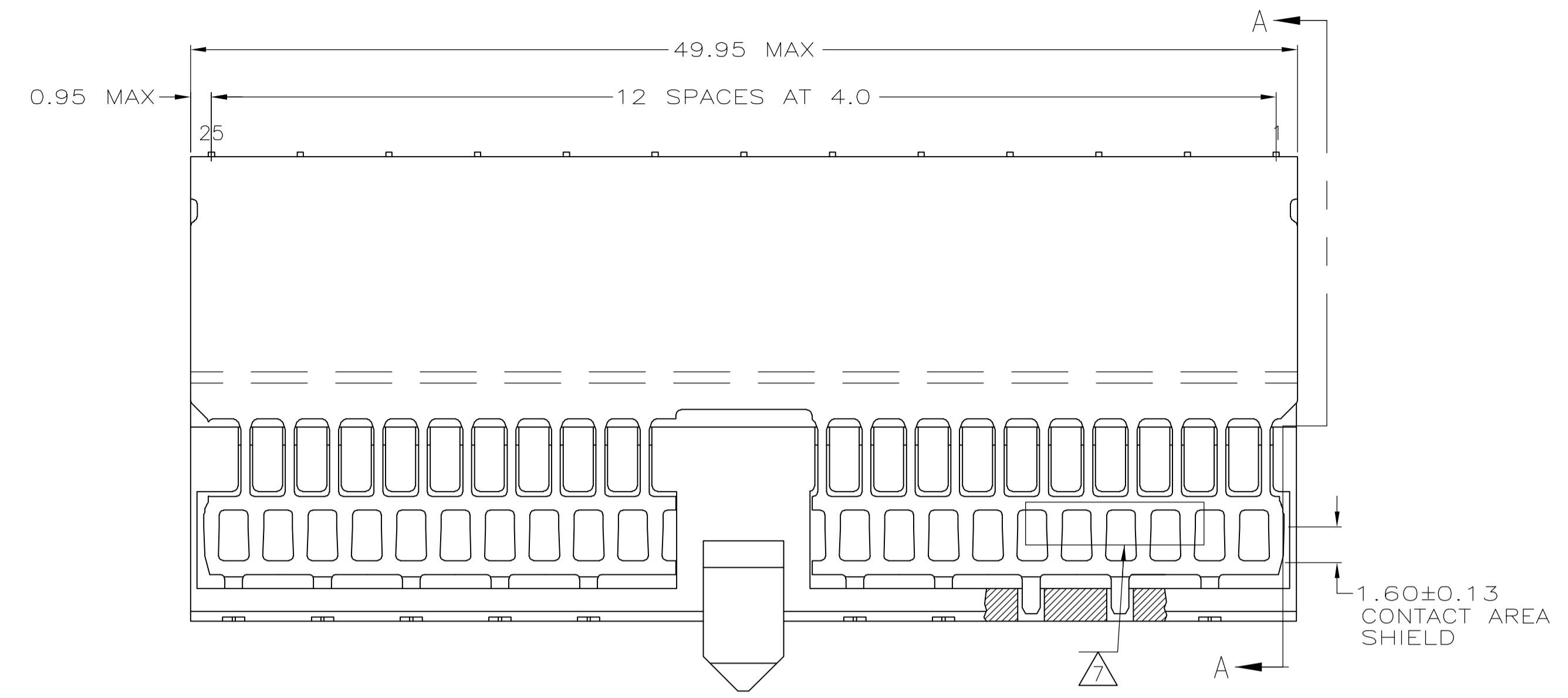
Distributed by:

**JAMECO**<sup>®</sup>  
ELECTRONICS

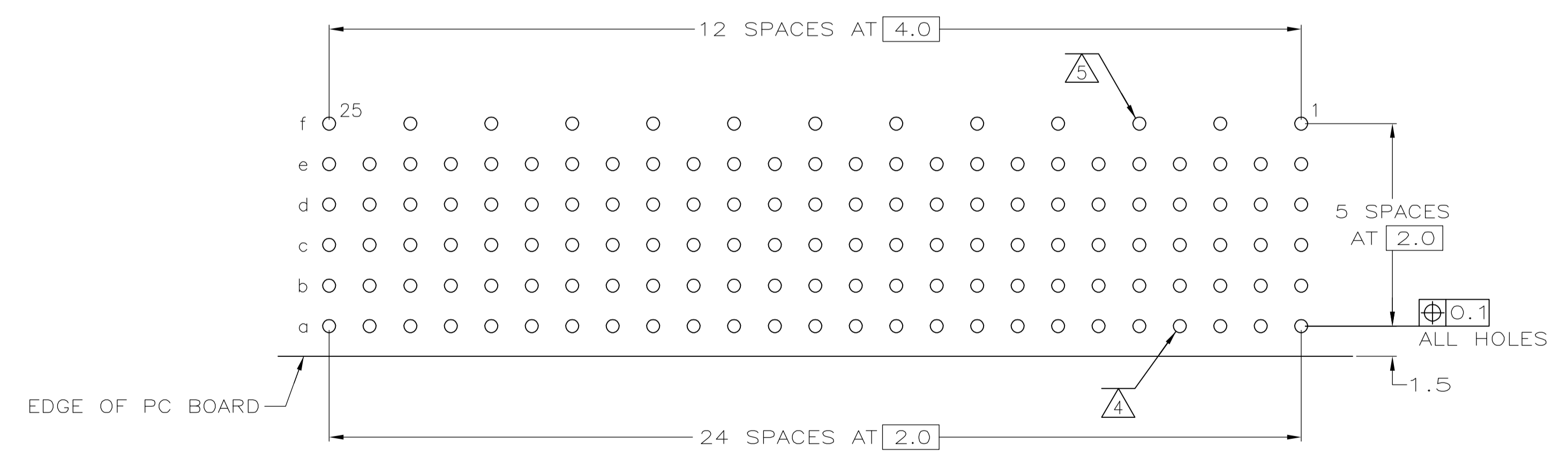
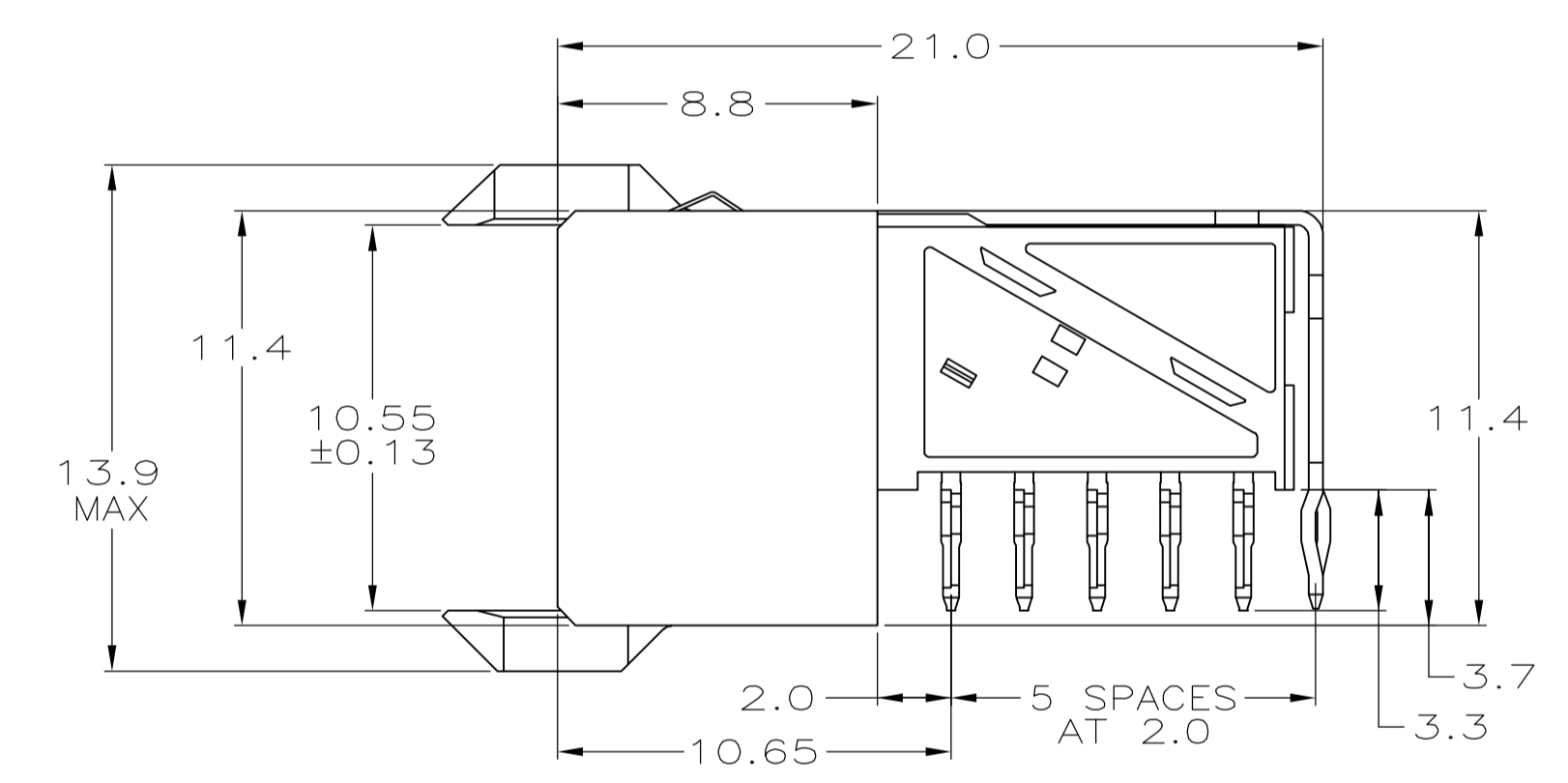
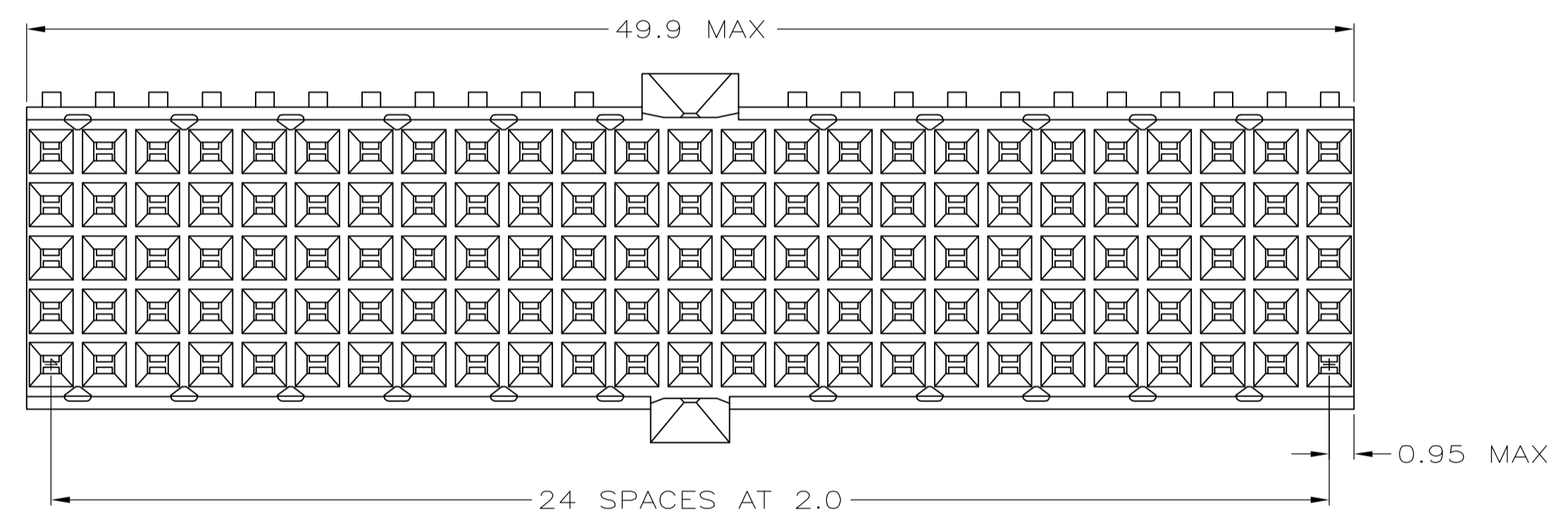
**www.Jameco.com ♦ 1-800-831-4242**

The content and copyrights of the attached  
material are the property of its owner.

Jameco Part Number 1405430



- 1 MATERIAL:  
CONTACT: PHOSPHOR BRONZE.  
HOUSING: GLASS-FILLED POLYESTER.
- 2 GENERAL PLATING SPECIFICATION: UNDERPLATING (ENTIRE CONTACT): 1.27µm MIN NICKEL AND ACTION PIN: 0.5µm MIN TIN LEAD. FOR PLATING OF MATING SURFACES SEE APPLICABLE SPECIFICATION REFERENCE FOR EACH DASH NUMBER.
- 3 CONFORMS TO ALL TESTING ACCORDING TO IEC 61076-4-101 PERFORMANCE LEVEL 2.
- 4 PLATED THROUGH HOLES AT 2mm x 2mm GRID.
- 5 ROW "f" 13 PLATED THROUGH HOLES FOR UPPER SHIELD.
- 6 SHIELD MOUNTED ON CONNECTOR WITH DOUBLE SIDED ADHESIVE TAPE.
- 7 CONNECTOR MARKED WITH PART NUMBER AND DATE CODE.
- 8 0.76 µm GOLD PLATING ON MATING SURFACES.



COMPONENT SIDE AS SHOWN  
 RECOMMENDED PCB HOLE LAYOUT

PCB HOLE DIMENSIONS FOR ACTION PIN  
 DRILLED HOLE: 0.700±0.025mm  
 FINISHED HOLE: 0.55 TO 0.65mm  
 CU-THICKNESS: 0.025 TO 0.050mm  
 SN/PB-THICKNESS: 0.004 TO 0.010mm

2	8	3-646547-0
2	3	646547-1
FINISH		PART NUMBER

THIS DRAWING IS A CONTROLLED DOCUMENT.		DIN L BRINER 4/13/99	Tyco Electronics Corporation Harrisburg, PA 17105-3608	
DIMENSIONS: mm		CHK G SKIPPER 4/13/99	APVD G SKIPPER 4/13/99	
TOLERANCES UNLESS OTHERWISE SPECIFIED:		NAME		
0 PLC	± -	RECEPTACLE ASSEMBLY, Z-PACK		
1 PLC	± -	2mm HM, TYPE A/B		
2 PLC	± 0.1	APPLICATION SPEC		
3 PLC	± -	SIZE		
4 PLC	± -	CASE CODE		
ANGLES	± -	DRAWING NO		
MATERIAL		WEIGHT		RESTRICTED TO
1		A1 00779 C=646547		1
SEE TABLE		CUSTOMER DRAWING		SCALE 5:1 SHEET 1 OF 1 REV C