

Distributed by:

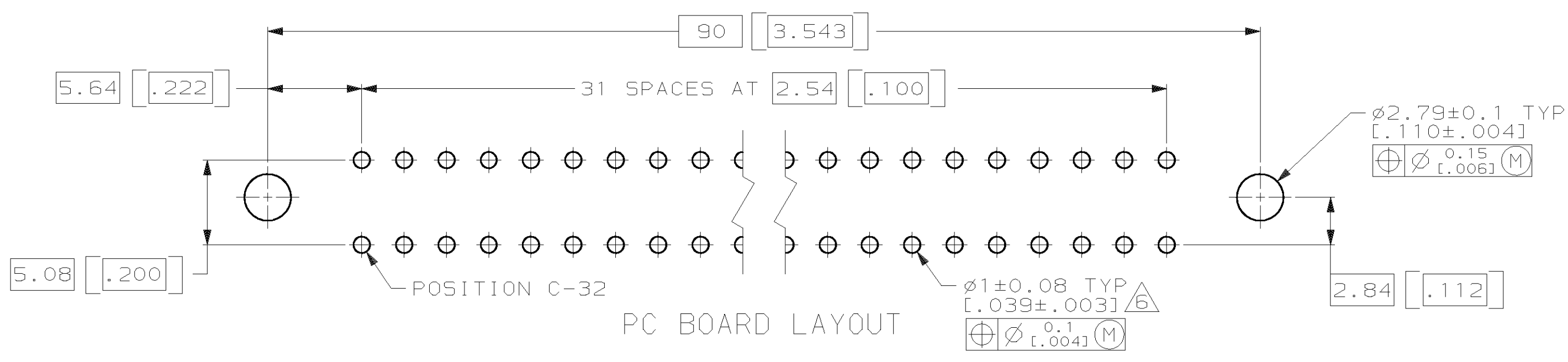
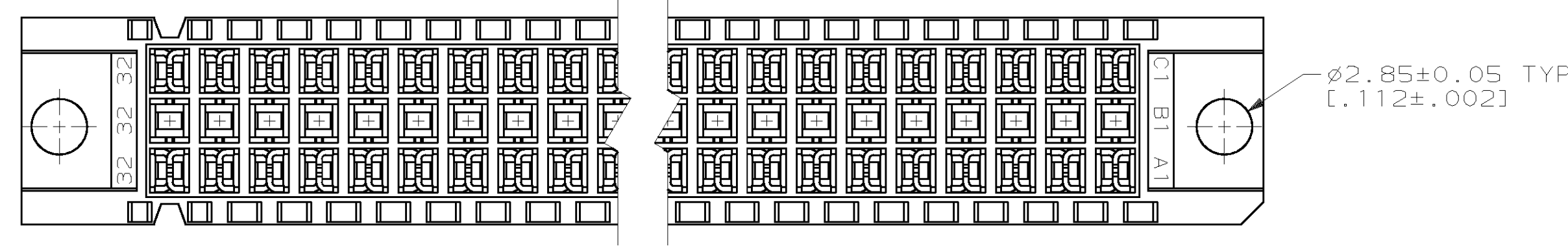
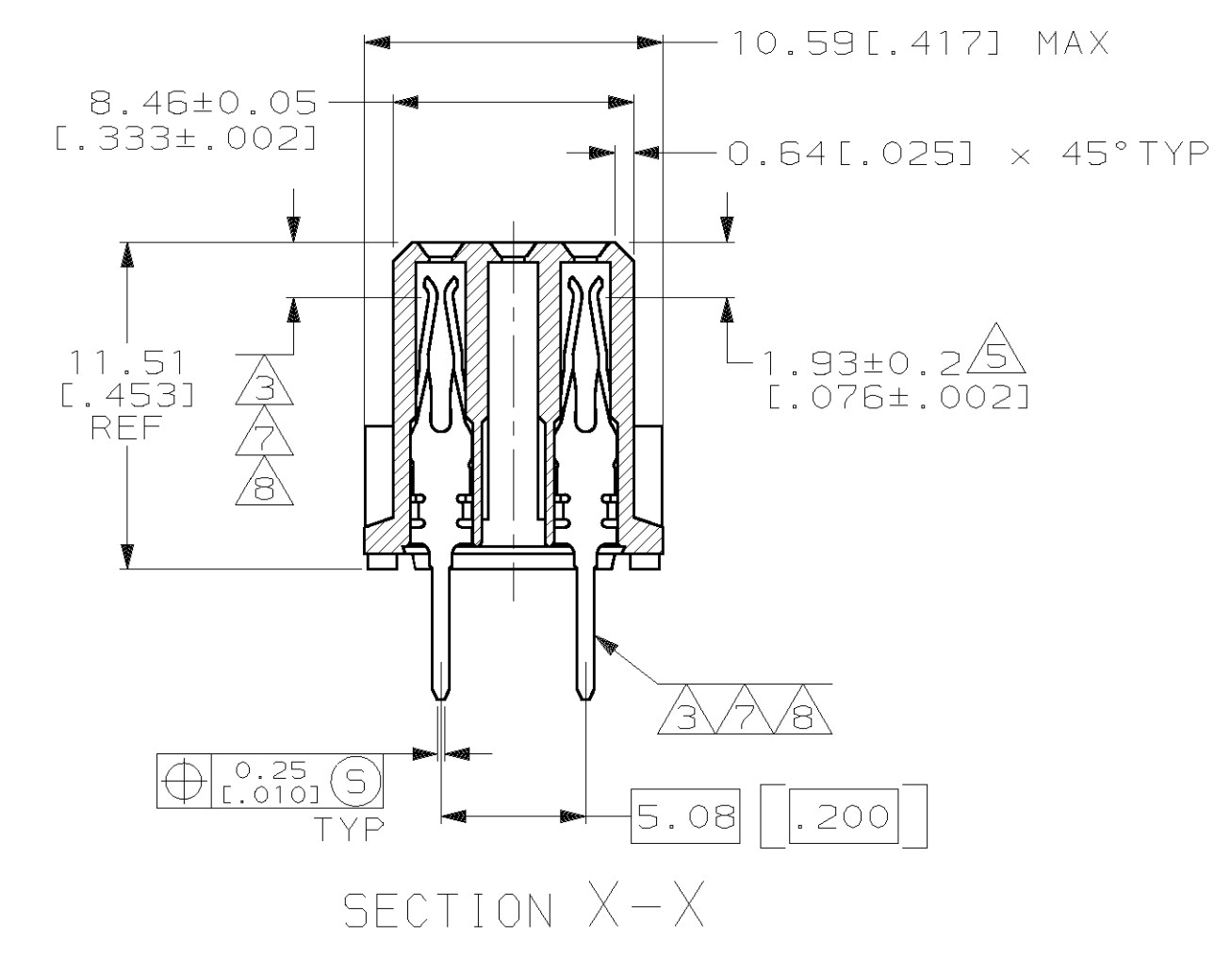
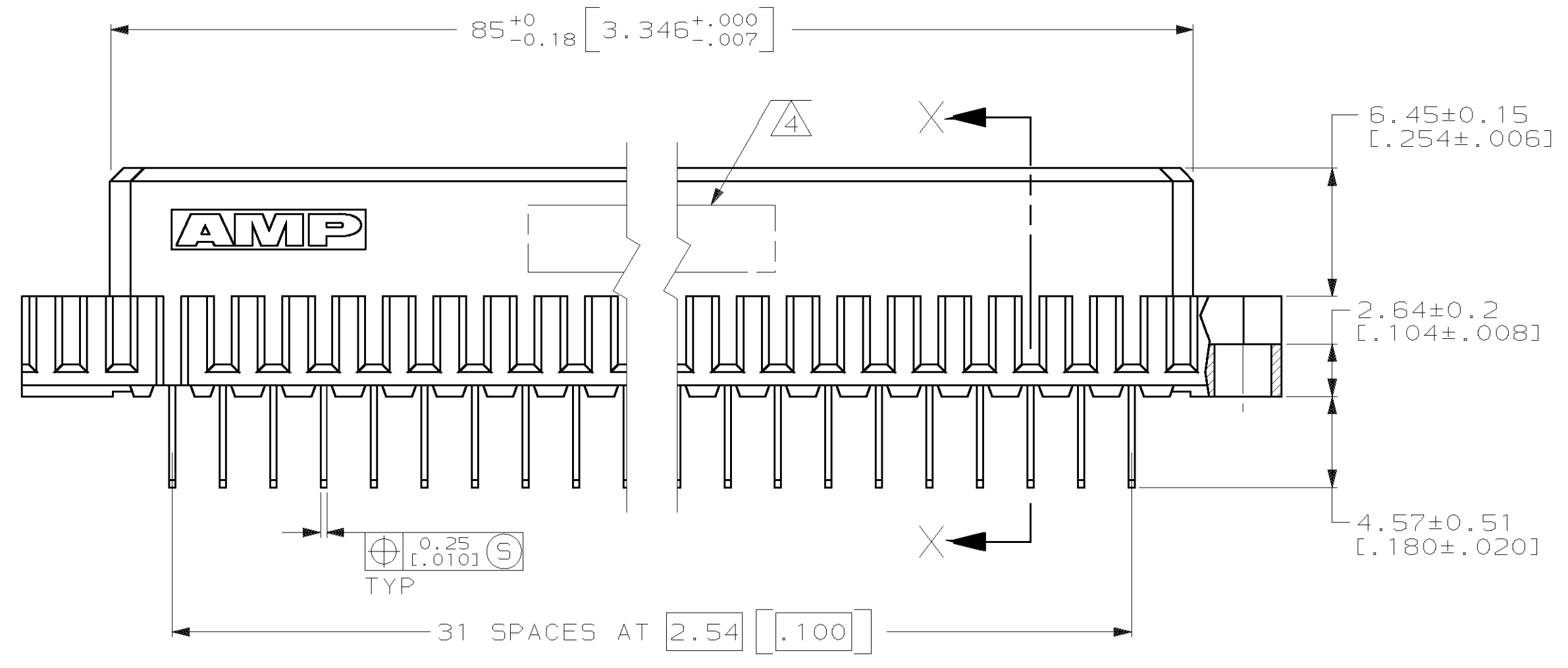
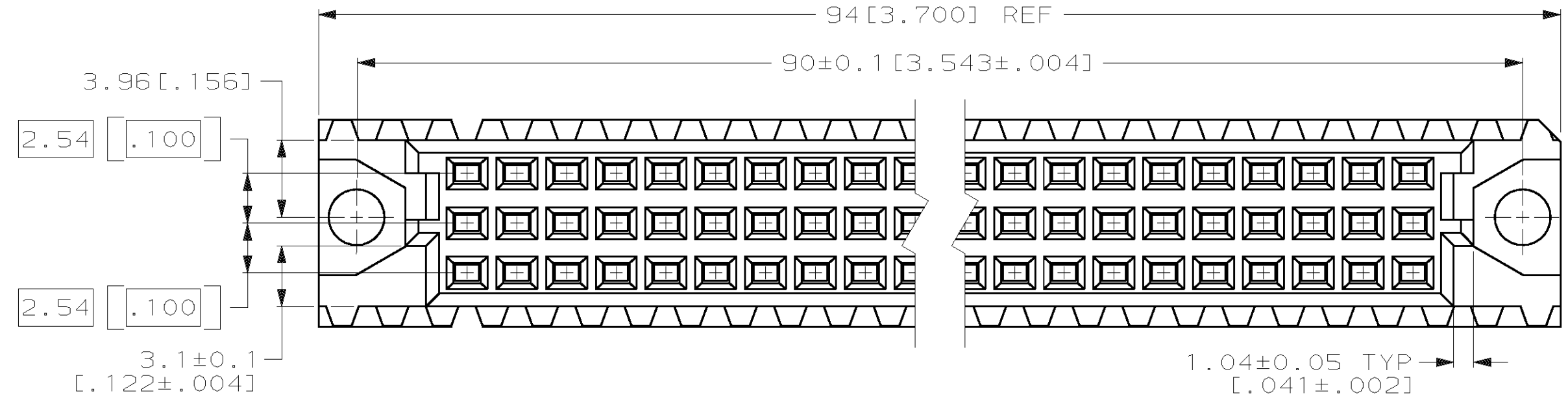
JAMECO[®]
ELECTRONICS

www.Jameco.com ♦ 1-800-831-4242

The content and copyrights of the attached
material are the property of its owner.

Jameco Part Number 859114

LOC	DIST	P	F	ZONE	LTR	DESCRIPTION	DATE	APPD
AD	25					EC 0010-1455-95	1/23/96	CR
						EC 0010-0318-96	4/1/96	CR
						EC 0010-1484-95	4/1/96	CR
						EC 0010-0895-96	6/24/96	CR
						REV PER EC 001B-0367-00	09 JAN 01	CR



- 1 HOUSING MATERIAL: GLASS-FILLED POLYESTER. COLOR: GRAY.
- 2 CONTACT MATERIAL: PHOSPHOR BRONZE.
- 3 CONTACT FINISH: 0.00076[.000030] GOLD IN CONTACT AREA. 0.00127[.000050] NICKEL UNDERPLATE ALL OVER. TIN-LEAD PLATE ON POSTS.
- 4 PART NUMBER, DATE CODE IDENTIFICATION, CSA LOGO IN THIS APPROXIMATE AREA ON REVERSE SIDE.
- 5 POINT OF MEASUREMENT FOR GOLD.
- 6 RECOMMENDED HOLE SIZE FOR MANUAL APPLICATION OF CONNECTOR ONTO PC BOARD.
- 7 CONTACT FINISH: DIN 41612 CLASS 3 IN CONTACT AREA. TIN-LEAD PLATE ON POSTS.
- 8 CONTACT FINISH: DIN 41612 CLASS 2 IN CONTACT AREA. TIN-LEAD PLATE ON POSTS.

NOTES	POSITIONS LOADED	C	B	A	NO. OF LOADED POSITION	ASSY PART NUMBER
SUPERSEDED BY 650408-4	1 THRU 32	X	-	X	64	650408-9
	1 THRU 32	X	-	X	64	650408-5
	1 THRU 32	X	-	X	64	650408-4

DO NOT SCALE PRINT. UNLESS SPECIFIED DIMENSIONS IN mm [INCHES] TOLERANCES ON: 1 PLC DEC ± - 2 PLC DEC ± 0.13[.005] ANGLES ± -	DR L. BRINER 3/15/90 CHK N. DRASHER 3/22/90 APPD N. DRASHER 3/22/90 MATERIAL APPD K.R. PARMER 3/22/90	AMP AMP INCORPORATED Harrisburg, Pa. 17105			
HOUSING: 1 CONTACT: 2	NAME EUROCARD, RECEPTACLE ASSEMBLY, TYPIC "C"	SIZE D	FSCM NO 00779	DRAWING NO 650408	SHEET 1 OF 1
FINISH CONTACT: 3 7 8	APPLICATION SPEC -	SCALE 4:1			