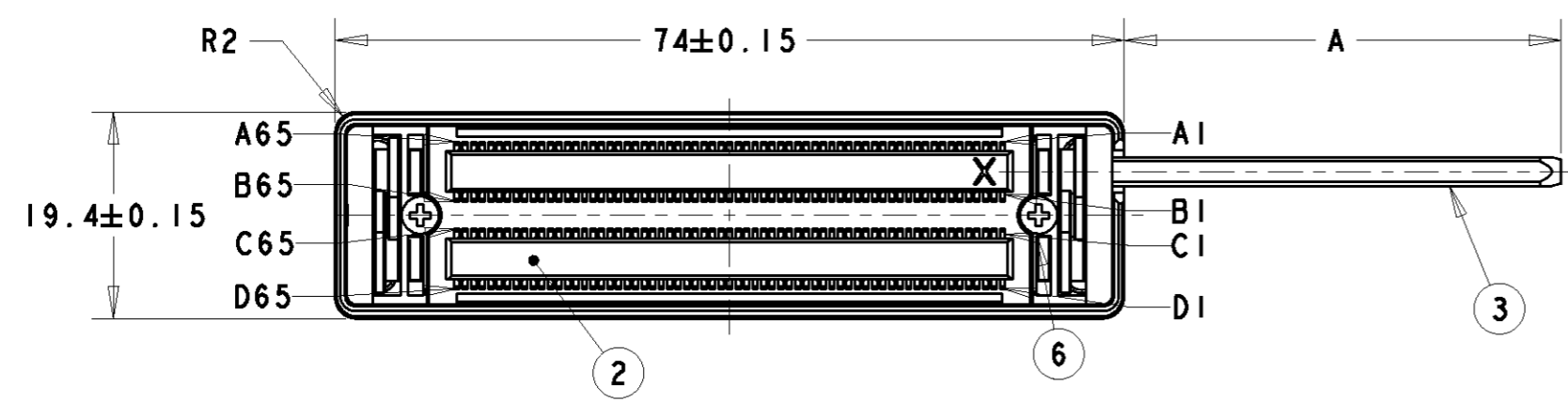
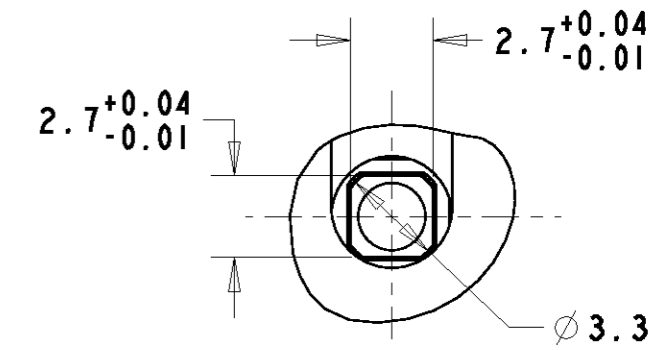
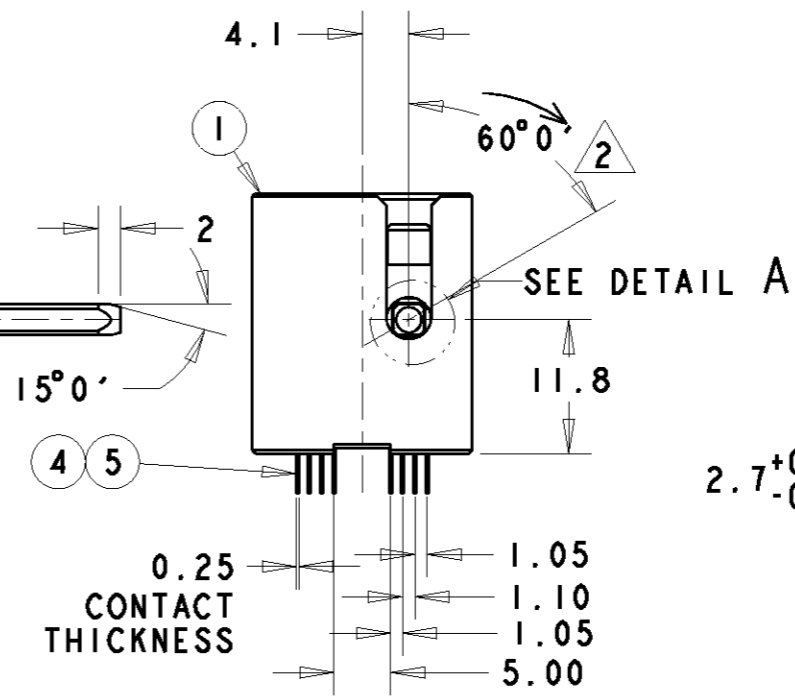
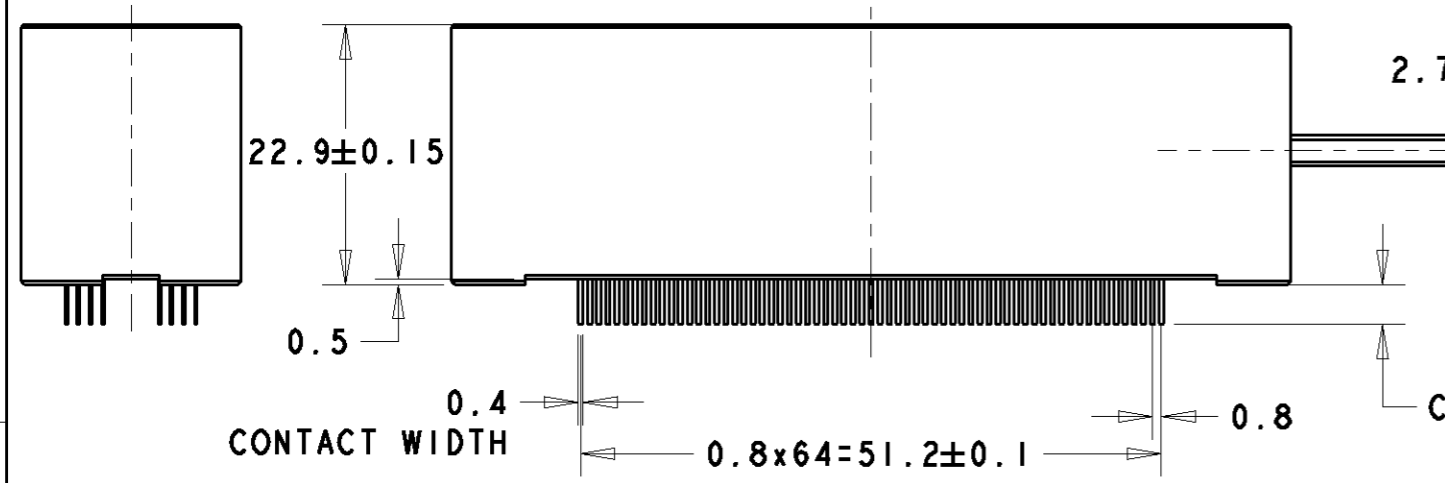


THIS DRAWING IS UNPUBLISHED. RELEASED FOR PUBLICATION  
 © COPYRIGHT BY ALL RIGHTS RESERVED.

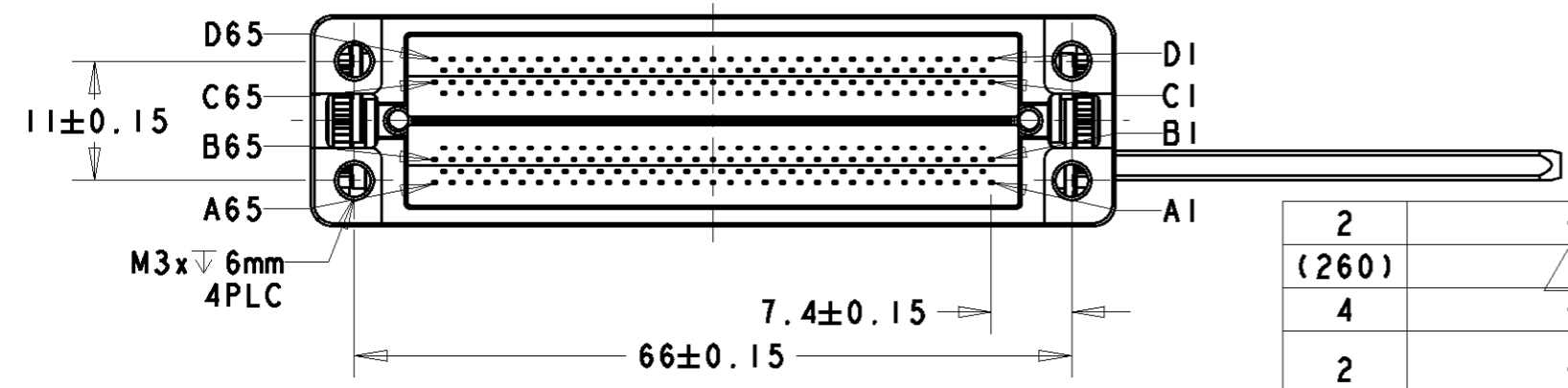
| LOC | DIST | REVISIONS   |                           |         |        |
|-----|------|-------------|---------------------------|---------|--------|
| P   | LTR  | DESCRIPTION | DATE                      | DWN     | APVD   |
| J   | -    | D3          | REVISED PER ECO-11-005140 | 04MAY11 | RK HMR |



ROHS COMPLIANT



DETAIL A  
SCALE 4:1



| QTY   | FINISH          | MATERIAL            | NAME                 | ITEM NO |
|-------|-----------------|---------------------|----------------------|---------|
| 2     | -               | STAINLESS STEEL     | SCOTCH-GRIP 2510     | 6       |
| (260) | △               | COPPER ALLOY        | M2 SCREW             | 5       |
| 4     | -               | LCP                 | CONTACT              | 4       |
| 2     | -               | SUS 304 AND PLASTIC | INSERT MOLD, CONTACT | 3       |
| 1     | -               | LCP                 | ACTUATOR ASSY        | 2       |
| 1     | Ni PLT. 2.5~5µm | ZINC DIECAST        | COVER HOUSING, REC   | 1       |
|       |                 |                     | BASE HOUSING, REC    |         |

| DIMENSION "C" | DIMENSION "A" | PART NUMBER |
|---------------|---------------|-------------|
| 3.5±0.4       | 20            | 6565204-6   |
| 2.5±0.25      | 20            | 6565204-5   |
| 2.5±0.25      | 26.82±0.2     | 6565204-4   |
| 2.5±0.25      | 41            | 6565204-3   |
| 3.5±0.4       | 41            | 6565204-1   |

TE Connectivity

REC ASSEMBLY  
TC-ZIF CONNECTOR  
0.8mm PITCH 260P

NOT THE LATEST REVISION

APVD: M. Kimura 5MAR2007  
 CHK: M. Kimura 5MAR2007  
 DWN: T. Kanno 5MAR2007

PRODUCT SPEC: 108-5771  
 APPLICATION SPEC: -

WEIGHT: 85g

SIZE: A3 CAGE CODE: 00779 DRAWING NO: C-6565204

CUSTOMER DRAWING

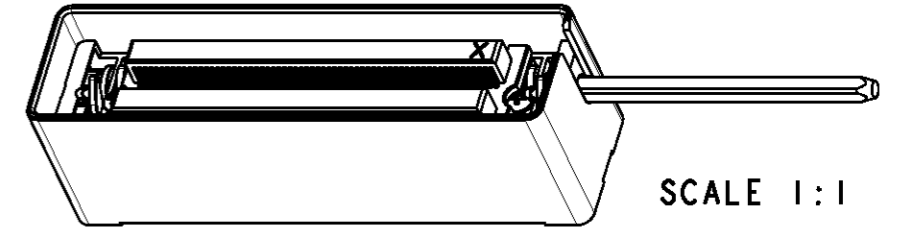
SCALE: 3:2 SHEET: 1 OF 2 REV: D3

PRELIMINARY

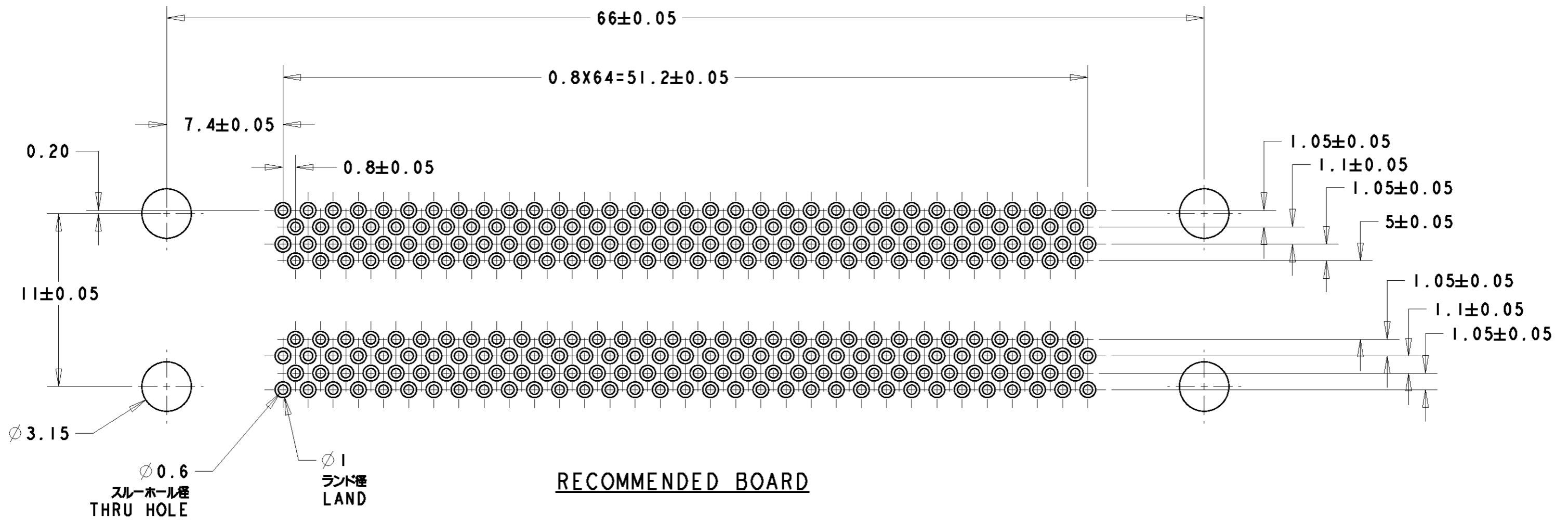
THIS DRAWING IS UNPUBLISHED. RELEASED FOR PUBLICATION  
 © COPYRIGHT BY ALL RIGHTS RESERVED.

| LOC | DIST | REVISIONS   |      |     |      |
|-----|------|-------------|------|-----|------|
| P   | LTR  | DESCRIPTION | DATE | DWN | APVD |
| J   | -    | SEE SHEET 1 | -    | -   | -    |

- 1 MATING AREA: 1μmMIN GOLD PLATING  
OVER 2.5μmMIN NICKEL  
SOLDERING AREA: GOLD FLASH  
OVER 2.5μmMIN NICKEL  
OTHERS: 2.5μmMIN NICKEL
- 2 BY ROTATING 60±5 DEGREES OF SHAFT CLOCKWISE,  
CONNECTOR IS MATED WITH HDR.  
CONTACT ENGAGEMENT : 15±5DEG.
- 3. PIN ASSIGNMENTS AS A REFERENCE



SCALE 1:1



RECOMMENDED BOARD

|                       |  |  |  |   |  |                               |  |
|-----------------------|--|--|--|---|--|-------------------------------|--|
| DIMENSIONS:<br>mm<br> |  | TOLERANCES UNLESS OTHERWISE SPECIFIED:<br>0 PLC ±0.2<br>1 PLC ±0.15<br>2 PLC ±0.1<br>3 PLC ±<br>4 PLC ±<br>ANGLES ±3<br>FINISH - |  | DWN T. Kanno 5MAR2007<br>CHK M. Kimura 5MAR2007<br>APVD M. Kimura 5MAR2007<br>PRODUCT SPEC 108-5771<br>APPLICATION SPEC -<br>WEIGHT - |  |                               |  |
| MATERIAL -            |  |  |  | NAME<br>REC ASSEMBLY<br>TC-ZIF CONNECTOR<br>0.8mm PITCH 260P  |  | RESTRICTED TO -               |  |
| CUSTOMER DRAWING      |  |  |  | SIZE A3 CAGE CODE 00779 DRAWING NO C-6565204  |  | SCALE 4:1 SHEET 2 OF 2 REV D3 |  |