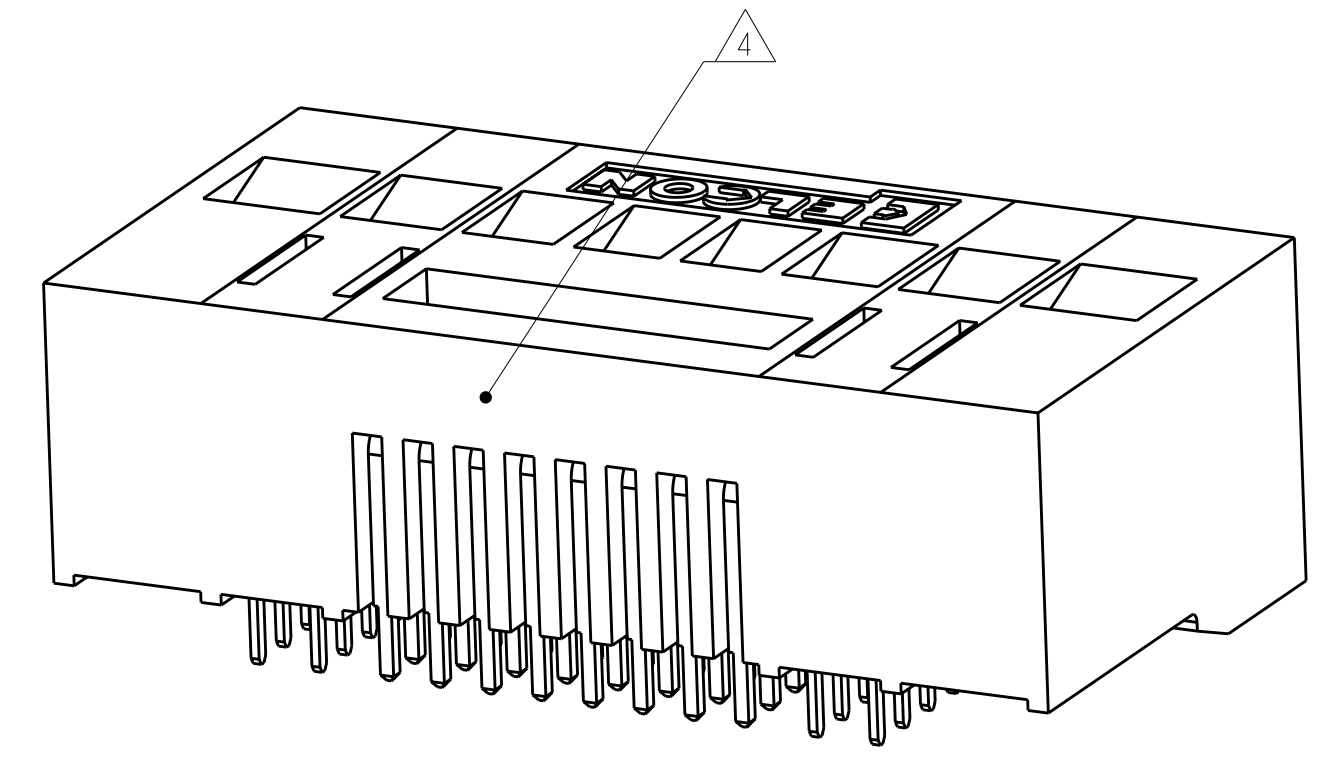
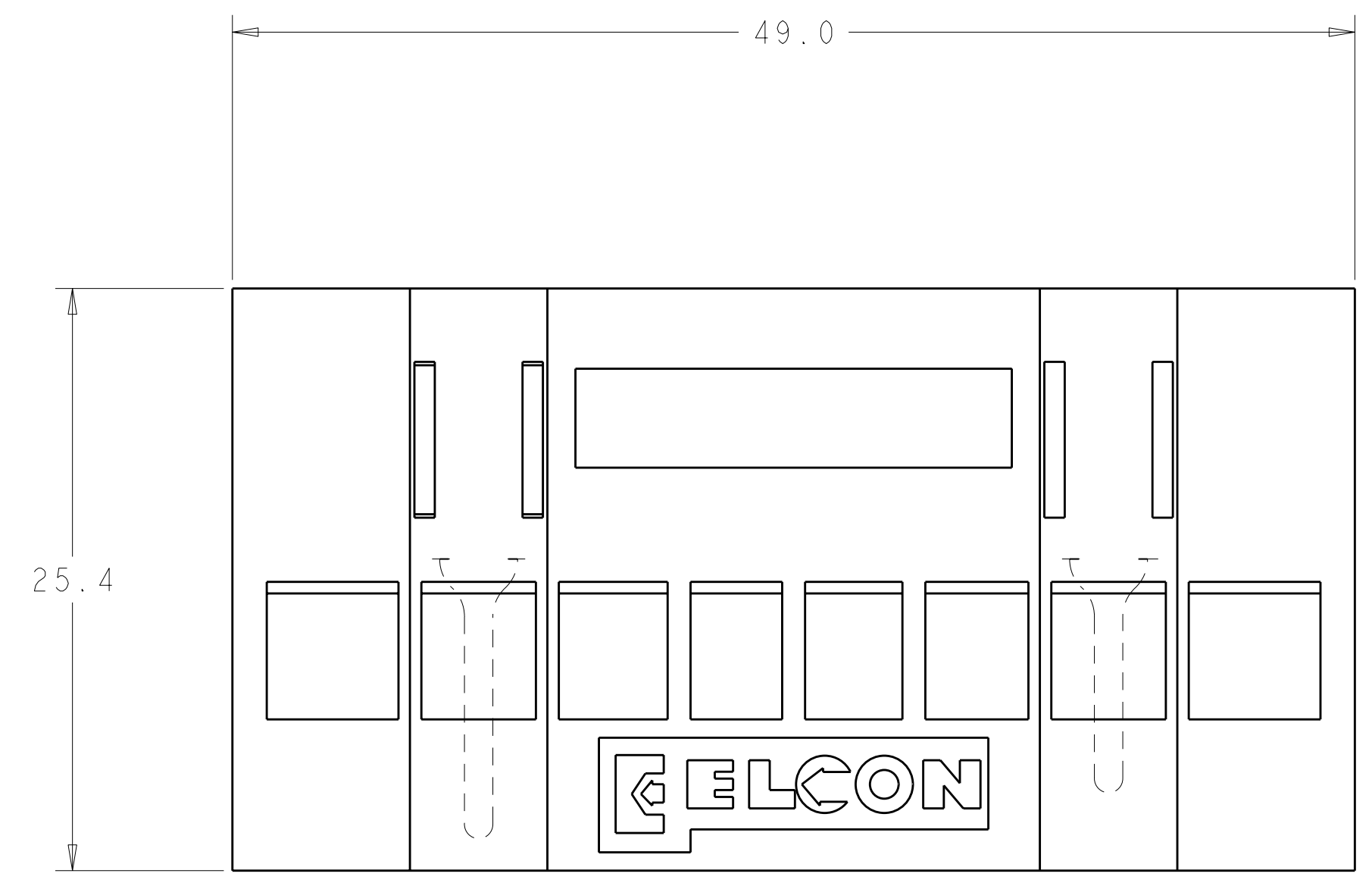


LOC	DIST	REV	DATE	BY	CHKD	APVD
GP	00	A2	10FEB2011	RG	MS	



SCALE 3:1



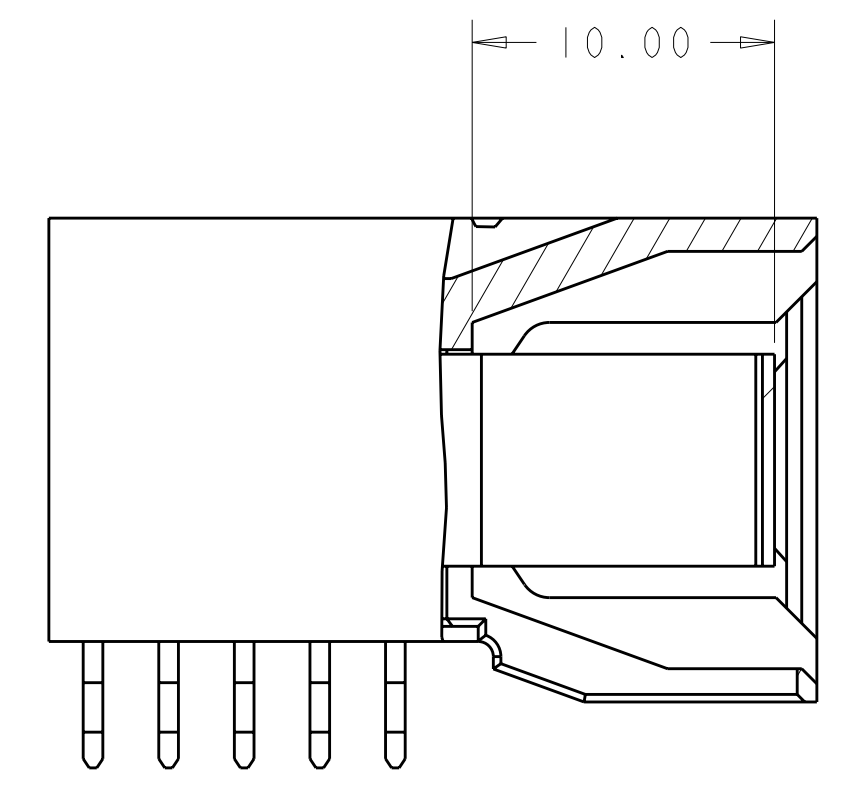
1. PART NUMBER CHANGES AND OR DESIGN CHANGES AFFECTING ITEM INTERCHANGEABILITY REQUIRE PRIOR TYCO ELECTRONICS APPROVAL AND AUTHORIZATION BY REVISION TO THIS DRAWING.

2. MATERIAL: INSULATORS - THERMOPLASTIC, GLASS REINFORCED, COLOR: BLACK  
 UL94V-0 FLAMMABILITY RATED.  
 SIGNAL PINS: BRASS ALLOY  
 POWER CONTACTS: COPPER ALLOY

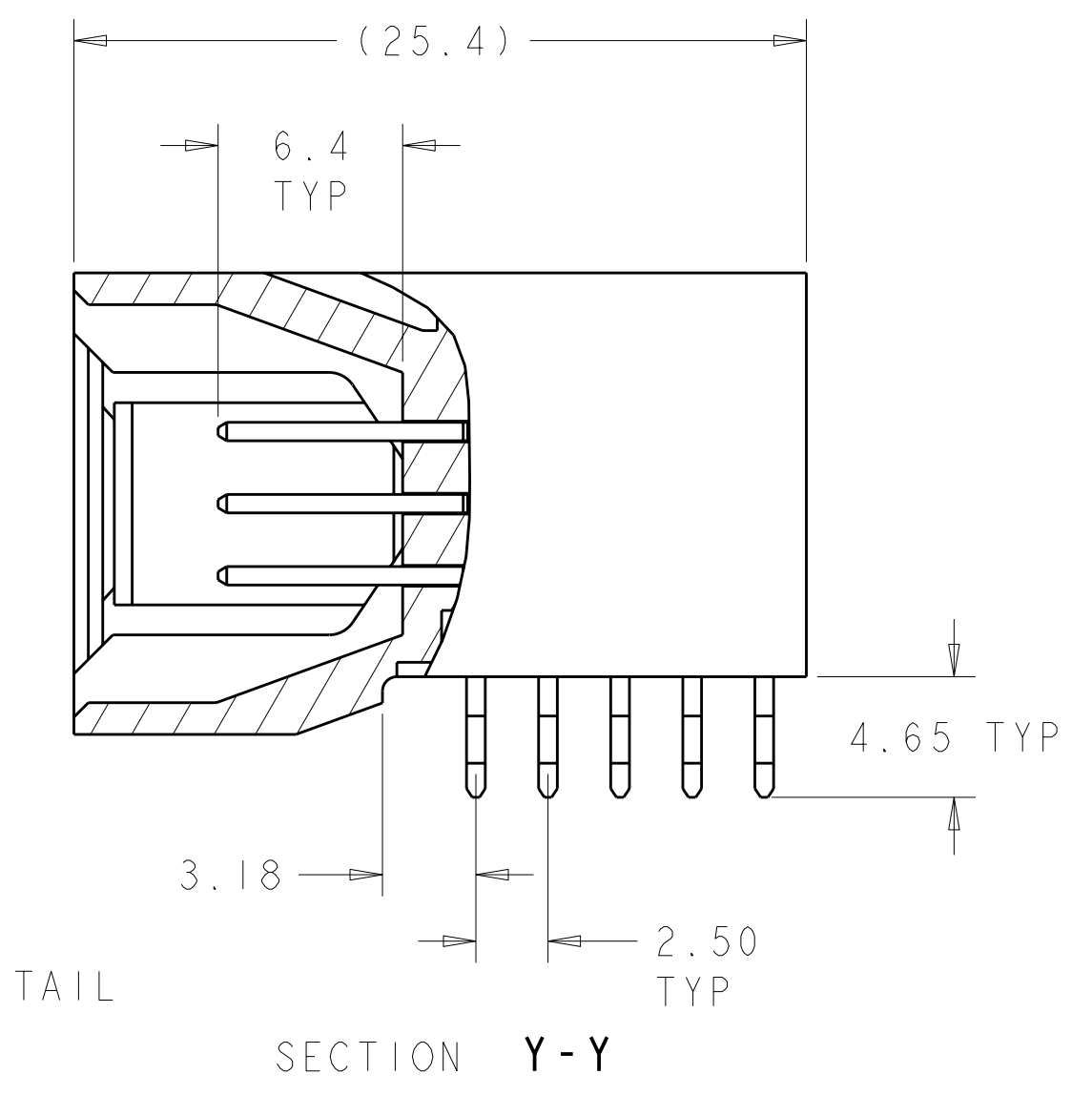
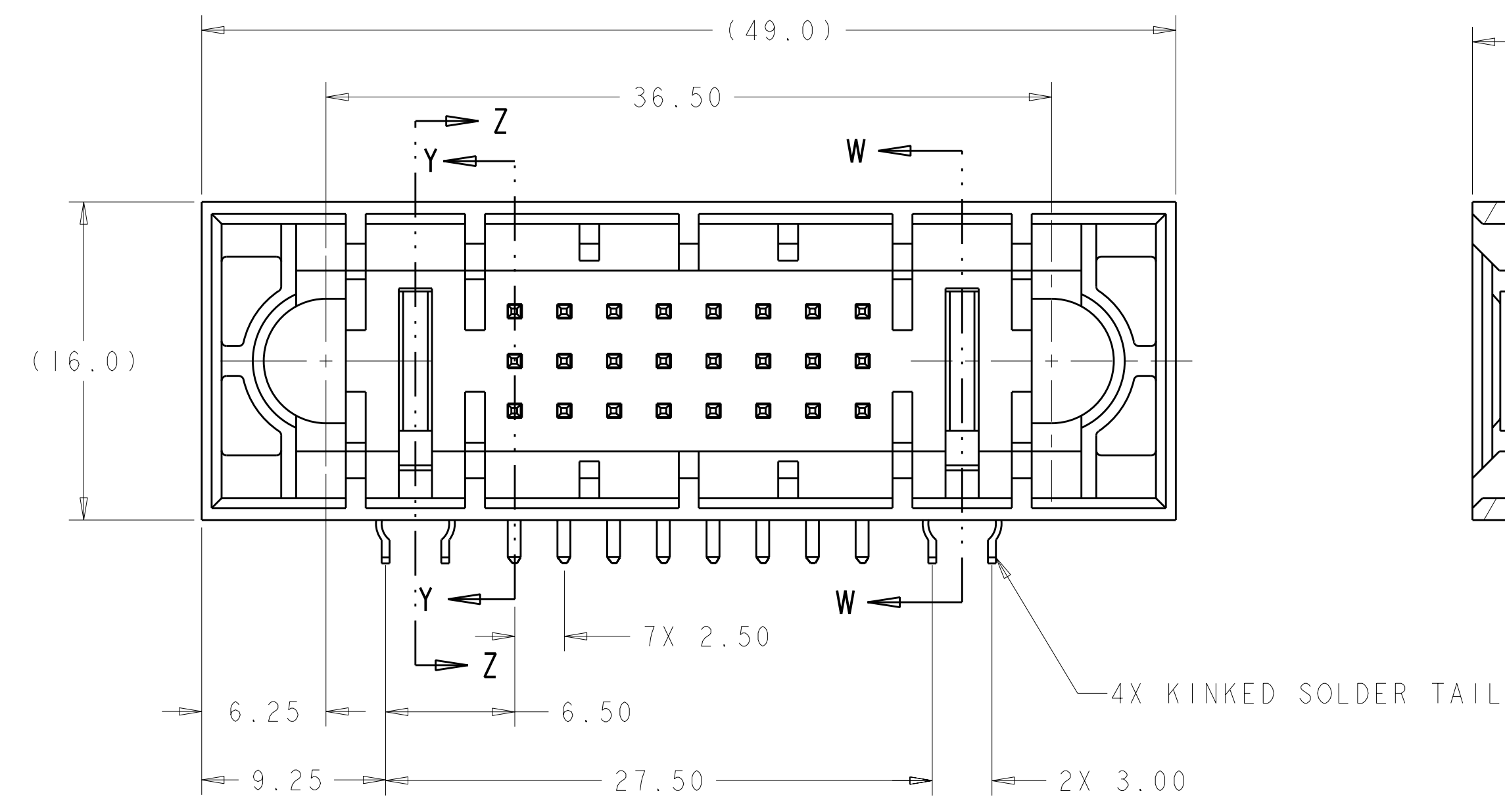
3. FINISH: CONTACTS: PLATING SELECTIVE GOLD 0.76µm MIN THK. OVER NICKEL 1.27µm MIN THK.  
 TERMINALS: TIN PLATE 3.05µm MIN THK. OVER NICKEL 1.27µm MIN THK.

4. ITEMS PROVIDED TO THIS SPECIFICATION TO BE PERMANENTLY IDENTIFIED PER THE FOLLOWING IDENTIFIER LABEL

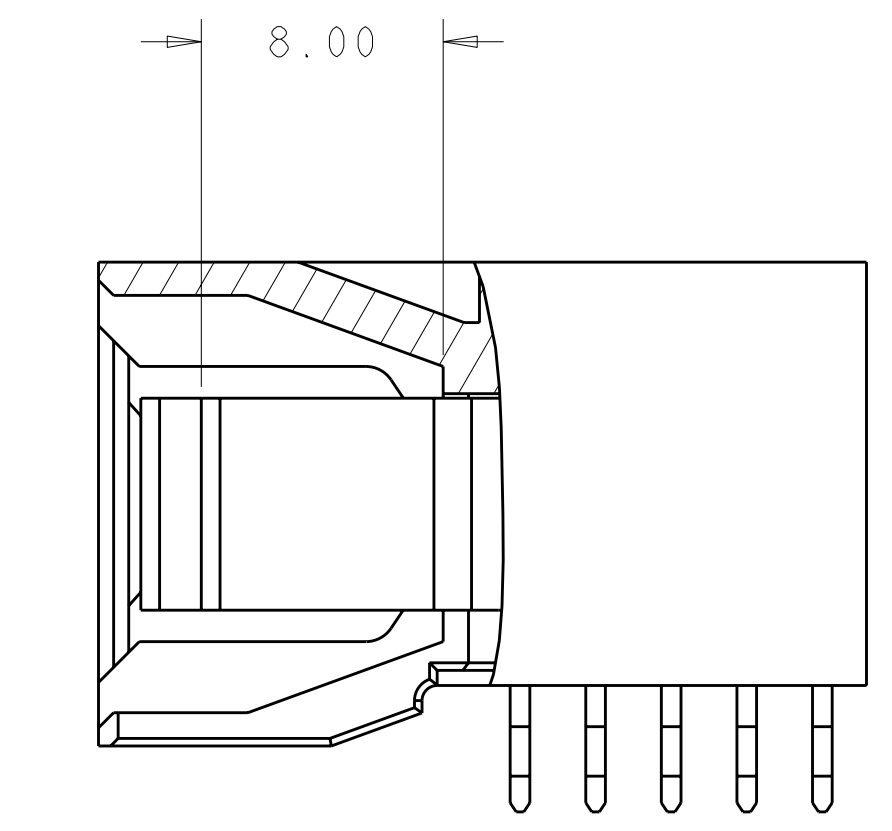
TYCO ELECTRONICS P/N DATE CODE (e.g. 0106)  
 XXXXXXXX-X XXXX



SECTION Z-Z



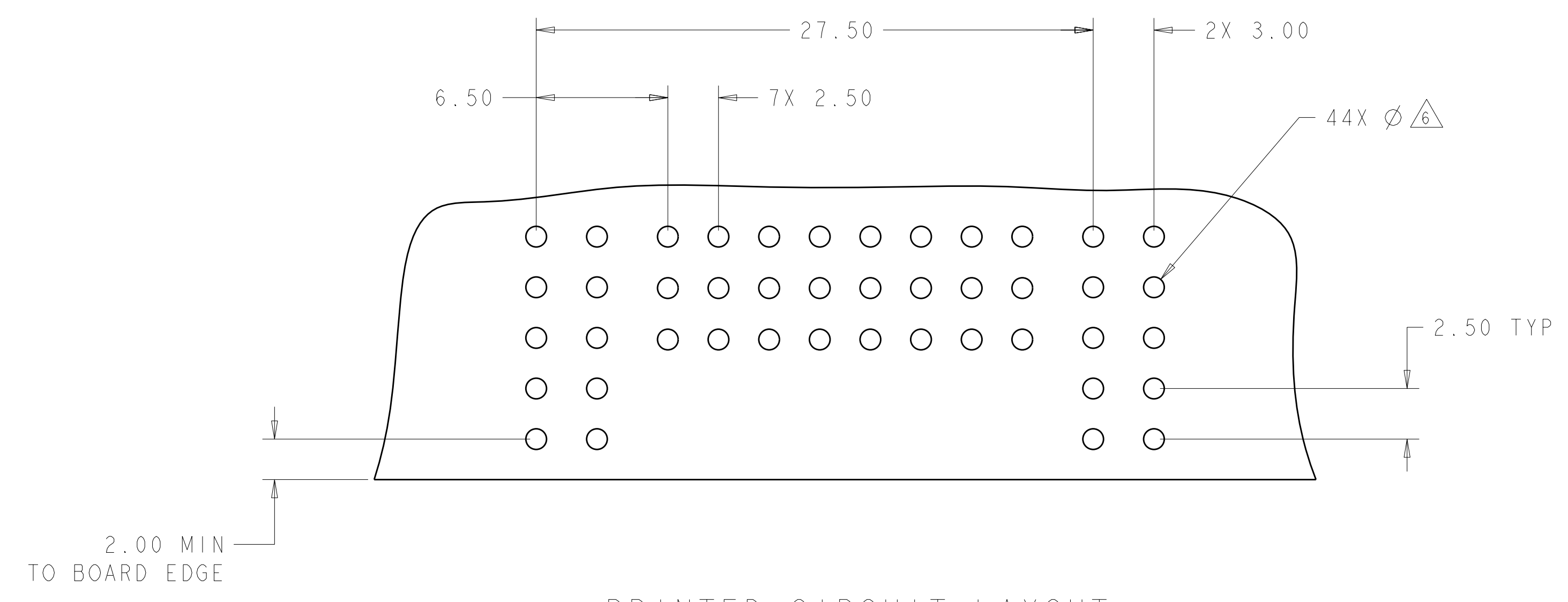
SECTION Y-Y



SECTION W-W

DIMENSIONS: mm 0 PLC ±.5 1 PLC ±.5 2 PLC ±.25 3 PLC ±.25 4 PLC ±.25 ANGLES ±.5		TOLERANCES UNLESS OTHERWISE SPECIFIED:		DWN R. GRZYBOWSKI 10FEB2011 CHK M. SYKES 10FEB2011 APVD M. SYKES 10FEB2011		Tyco Electronics Harrisburg, PA 17105-3608	
MATERIAL:		FINISH:		PRODUCT SPEC:		NAME: PIN CONNECTOR ASSEMBLY RIGHT ANGLE, SOLDER TAIL MINIPAK	
CUSTOMER DRAWING		WEIGHT:		SIZE: CAGE CODE: DRAWING NO: A100779C-6651939		RESTRICTED TO:	
SCALE: 4:1		SHEET: 1 OF 3		REV: A2		DATE: 10FEB2011	

LOC	DIST	REVISIONS			
REV	DATE	DESCRIPTION	DATE	DWN	APVD
GP	00	SEE SHEET 1	-	-	-



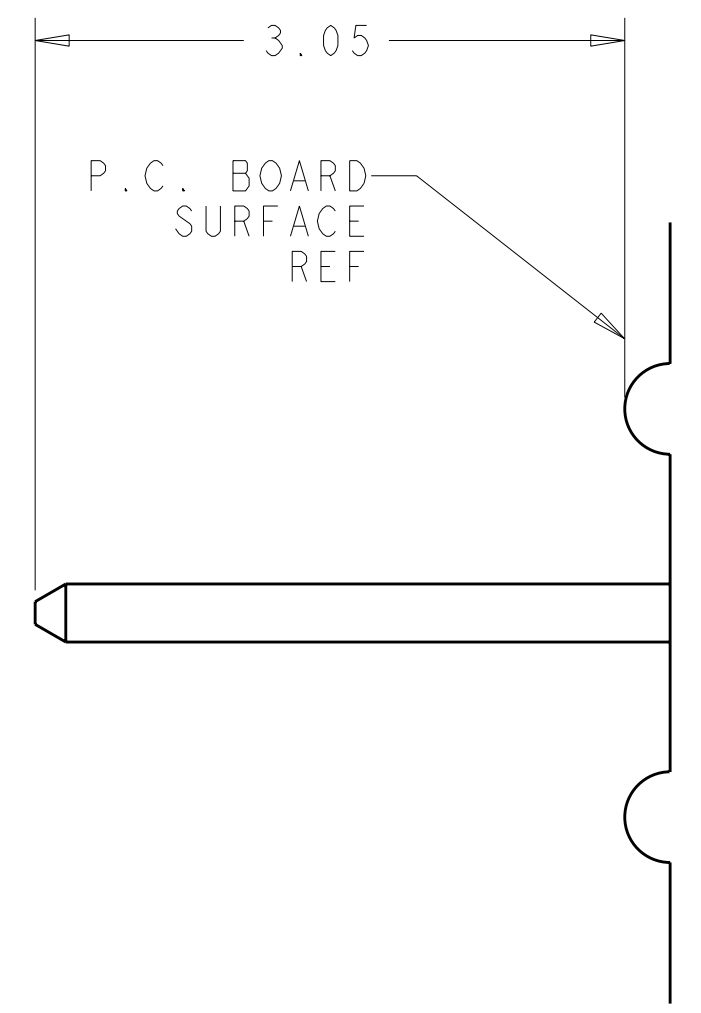
PRINTED CIRCUIT LAYOUT  
 COMPONENT SIDE

ELCON MINI PAK

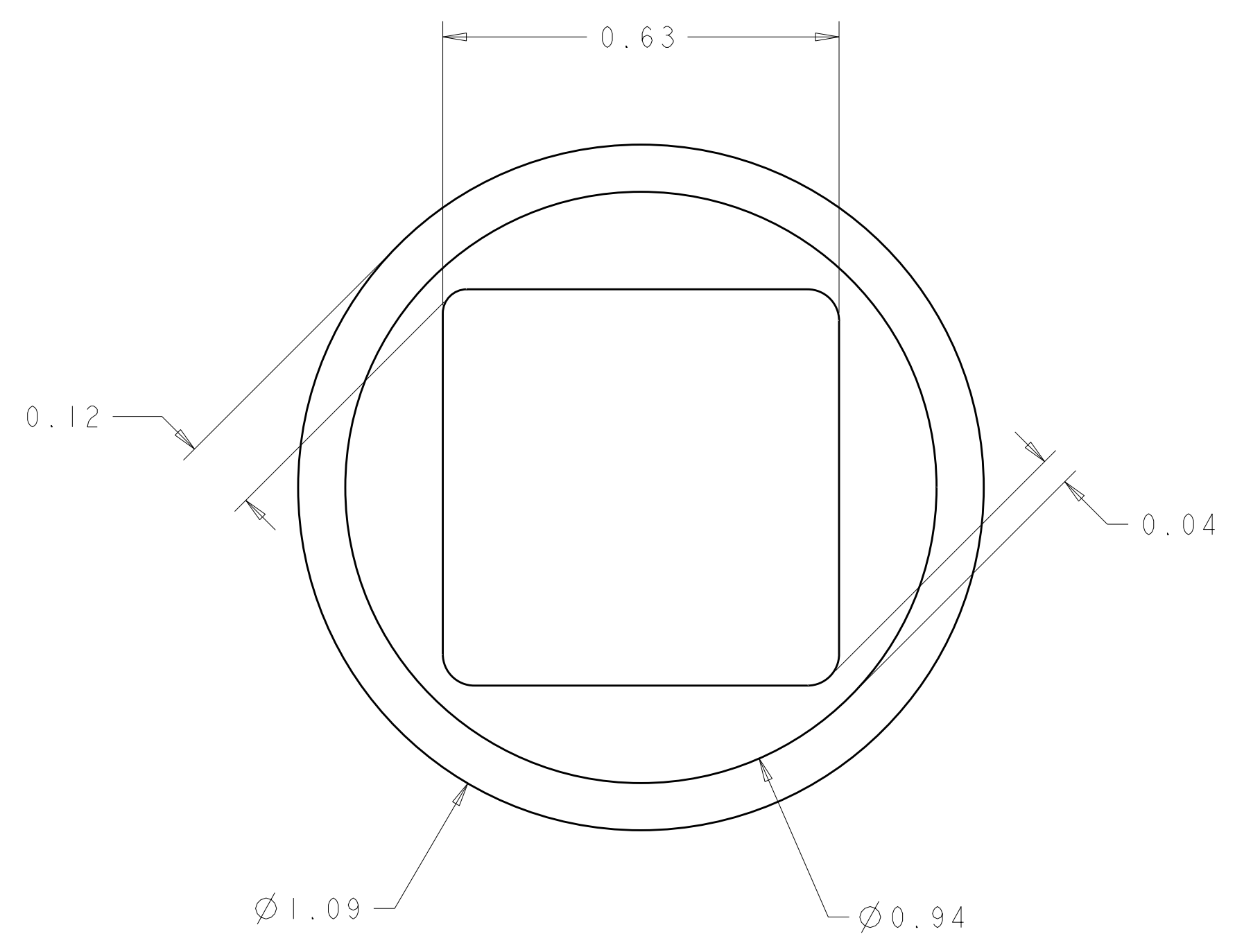
AMP 4805 REV 31MAR2000

<small>THIS DRAWING IS UNPUBLISHED. RELEASED FOR PUBLICATION 2000. ALL RIGHTS RESERVED. THIS IS SUBJECT TO CHANGE WITHOUT NOTICE AND WITHOUT OBLIGATION. SHOULD BE CONTACTED FOR THE LATEST REVISION.</small>		DWN R. GRZYBOWSKI 10FEB2011 CHK M. SYKES 10FEB2011 APVD M. SYKES 10FEB2011	Tyco Electronics Harrisburg, PA 17105-3608
DIMENSIONS: mm 	TOLERANCES UNLESS OTHERWISE SPECIFIED: 0 PLC ±.5 1 PLC ±.5 2 PLC ±.25 3 PLC ±.5 4 PLC ±.5 ANGLES ±.5	NAME R. GRZYBOWSKI PRODUCT SPEC APPLICATION SPEC WEIGHT CUSTOMER DRAWING	Tyco Electronics Harrisburg, PA 17105-3608 NAME PIN CONNECTOR ASSEMBLY RIGHT ANGLE, SOLDER TAIL MINIPAK SIZE CAGE CODE DRAWING NO A100779C-6651939 RESTRICTED TO SCALE 4:1 SHEET 2 OF 3 REV A2

LOC	DIST	REVISIONS					
GP	00	P	LTB	DESCRIPTION	DATE	DWN	APVD
		-	-	SEE SHEET 1	-	-	-



5. SOLDER PIN DETAIL  
 SCALE 10 : 1



6. SOLDER TERMINATION AREA  
 SCALE 40:1  
 RECOMMENDED PRINTED CIRCUIT SOLDER HOLE  
 FINISHED HOLE: Ø1.02 ±.08  
 DRILLED HOLE: Ø1.15 ±.013  
 COPPER PLATE: .025 MIN. (PER SURFACE)  
 TIN PLATE: .008 MIN. (PER SURFACE)

<small>THIS DRAWING IS UNPUBLISHED. RELEASED FOR PUBLICATION 20                  © COPYRIGHT 20 BY TYCO ELECTRONICS CORPORATION. ALL RIGHTS RESERVED.</small>		DWN R. GRZYBOWSKI 10FEB2011 CHK M. SYKES 10FEB2011 APVD M. SYKES 10FEB2011	Tyco Electronics Harrisburg, PA 17105-3608
DIMENSIONS: mm 	TOLERANCES UNLESS OTHERWISE SPECIFIED: 0 PLC ±.5 1 PLC ±.5 2 PLC ±.25 3 PLC ±.25 4 PLC ±.5 ANGLES ±.5 FINISH	NAME PRODUCT SPEC APPLICATION SPEC WEIGHT CUSTOMER DRAWING	PIN CONNECTOR ASSEMBLY RIGHT ANGLE, SOLDER TAIL MINIPAK SIZE CAGE CODE DRAWING NO A100779C-6651939 SCALE 4:1 SHEET 3 OF 3 REV A2