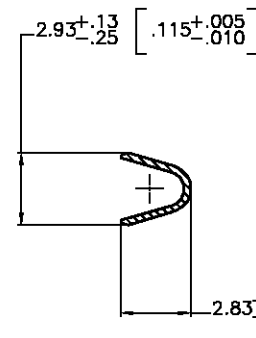
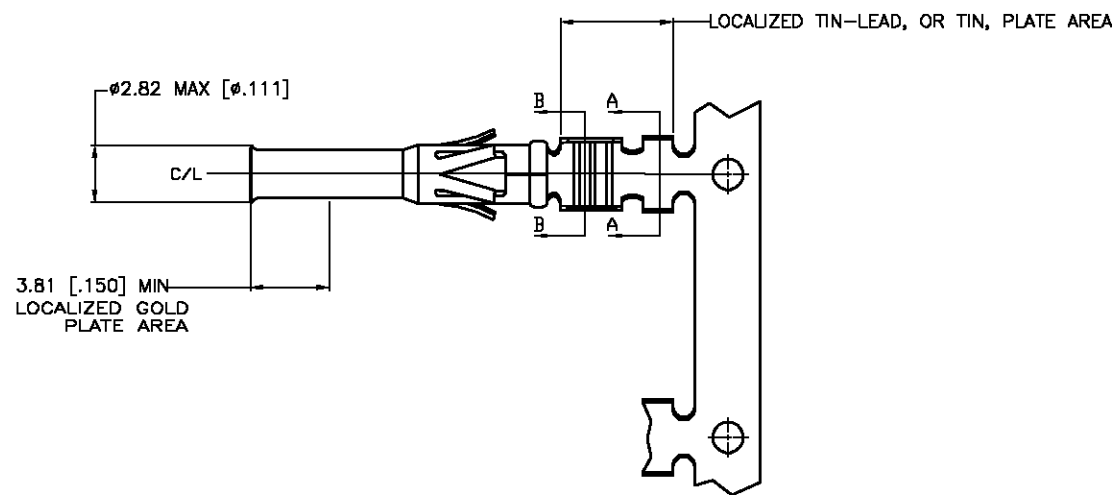
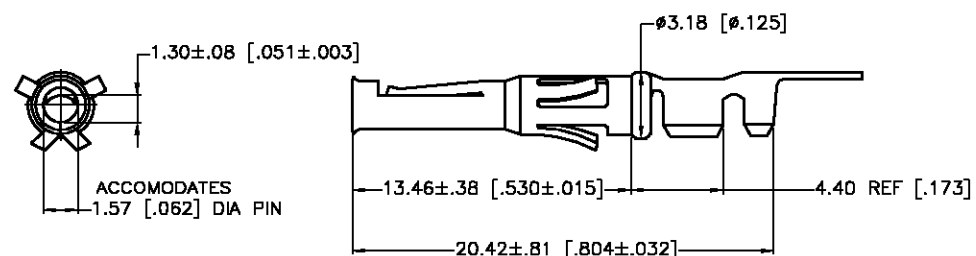
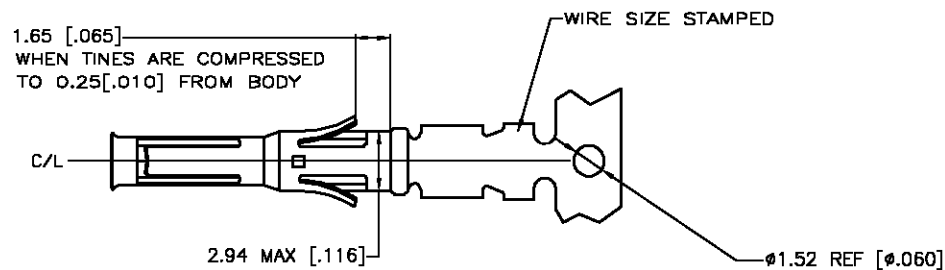
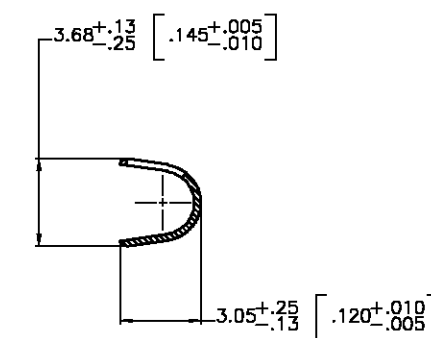


THIS DRAWING IS UNPUBLISHED. RELEASED FOR PUBLICATION
 © COPYRIGHT BY TYCO ELECTRONICS CORPORATION. ALL RIGHTS RESERVED.

LOC	DIST	REVISIONS			
P	LTR	DESCRIPTION	DATE	DWN	APVD
FT	10	B	REV PER EC 0G3B-0317-03	24APR03	VF GS



SECTION B-B



SECTION A-A

1. WIRE RANGE 18-16 AWG.
 2. INSULATION RANGE 2.54-2.03[100-.080] DIA.
 3. FOR LOOSE PIECE PART SEE DWG 66590.
- ⚠ 0.76µm [.000030] MIN GOLD IN LOCALIZED GOLD PLATE AREA, 1.27µm [.000050] MIN TIN-LEAD IN LOCALIZED TIN-LEAD PLATE AREA, BOTH OVER 1.27µm [.000050] MIN NICKEL.
 - ⚠ TIN PLATED.
 - ⚠ GOLD PLATING PER MIL-G-45204, TIN PER MIL-T-10727 AND NICKEL PER QQ-N-290.
 - ⚠ 0.76µm [.000030] MIN GOLD IN LOCALIZED GOLD PLATE AREA, 1.27µm [.000050] MIN TIN IN LOCALIZED TIN PLATE AREA, BOTH OVER 1.27µm [.000050] MIN NICKEL.

REVERSE REELED FOR MINI-APPLICATOR	⚠	66580-7
REVERSE REELED FOR MINI-APPLICATOR	⚠	66580-4
REVERSE REELED FOR MINI-APPLICATOR	⚠	66580-3
REVERSE REELED FOR MINI-APPLICATOR	⚠	66580-2
REVERSE REELED FOR MINI-APPLICATOR	⚠	66580-1
DESCRIPTION	FINISH	

DIMENSIONS:		TOLERANCES UNLESS OTHERWISE SPECIFIED:		DWN		Tyco Electronics Corporation	
MM	[INCHES]	0 PLC	± -	V. FURLER	14MAY2003	Harrisburg, PA 17105	
		1 PLC	± -	CHK	16MAY03	tyco Electronics NAME CONTACT, SOCKET, STRIP, TYPE VI, MULTIMATE	
		2 PLC	± 0.13 [.005]	G. STEINHAUER	16MAY03		
		3 PLC	± -	APVD	16MAY03	SIZE A3 CAGE CODE 00779 DRAWING NO C-66580 RESTRICTED TO -	
		4 PLC	± -	G. STEINHAUER			
		ANGLES	± -	PRODUCT SPEC			
MATERIAL		FINISH		APPLICATION SPEC			
BRASS MIL-C-50		SEE TABLE ⚠		WEIGHT		-	
THIS DRAWING IS A CONTROLLED DOCUMENT.				CUSTOMER DRAWING			
				SCALE		8:5	
				SHEET		1 OF 1	
				REV		B	