

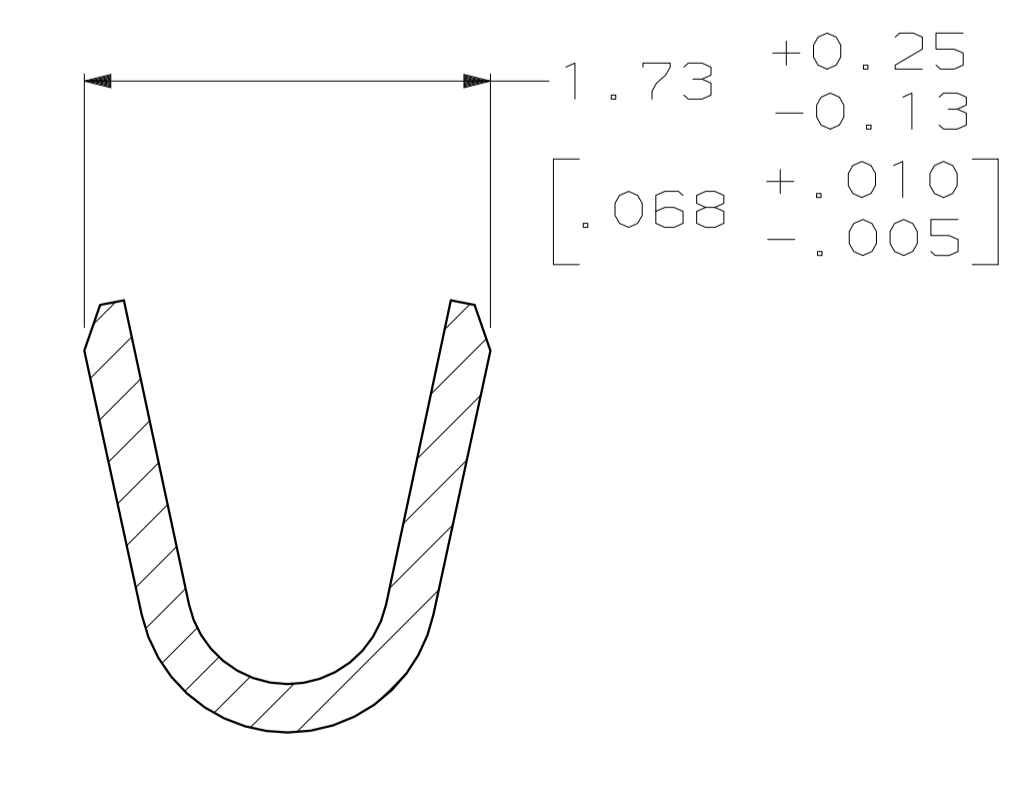
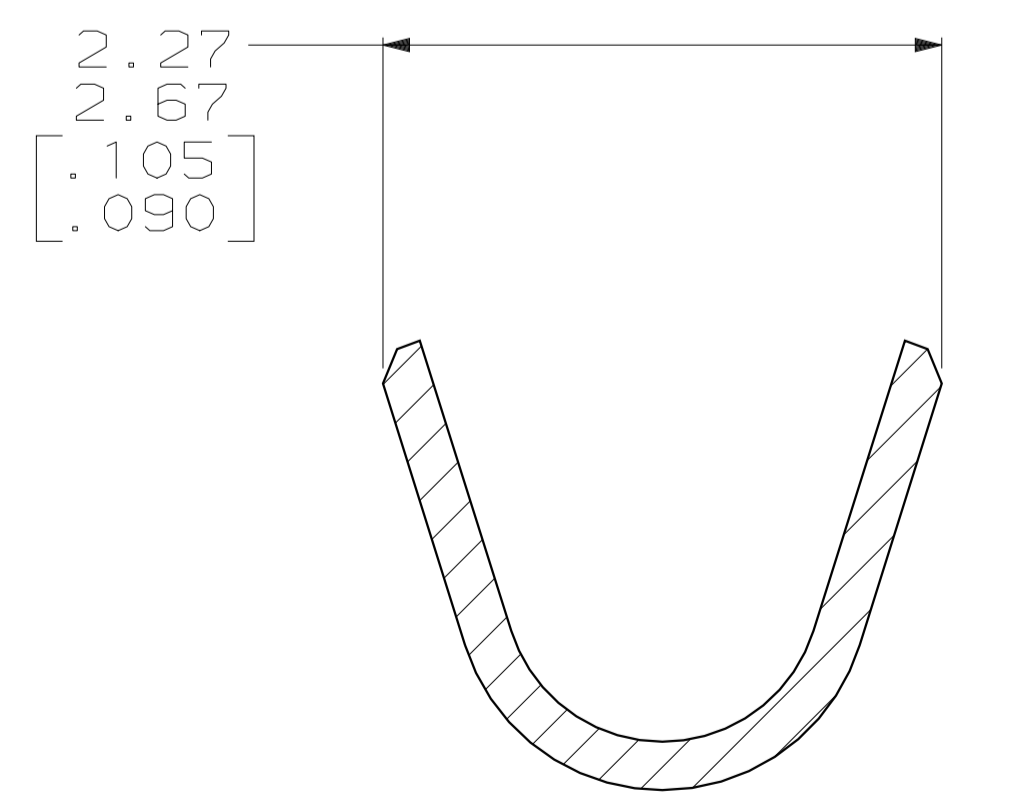
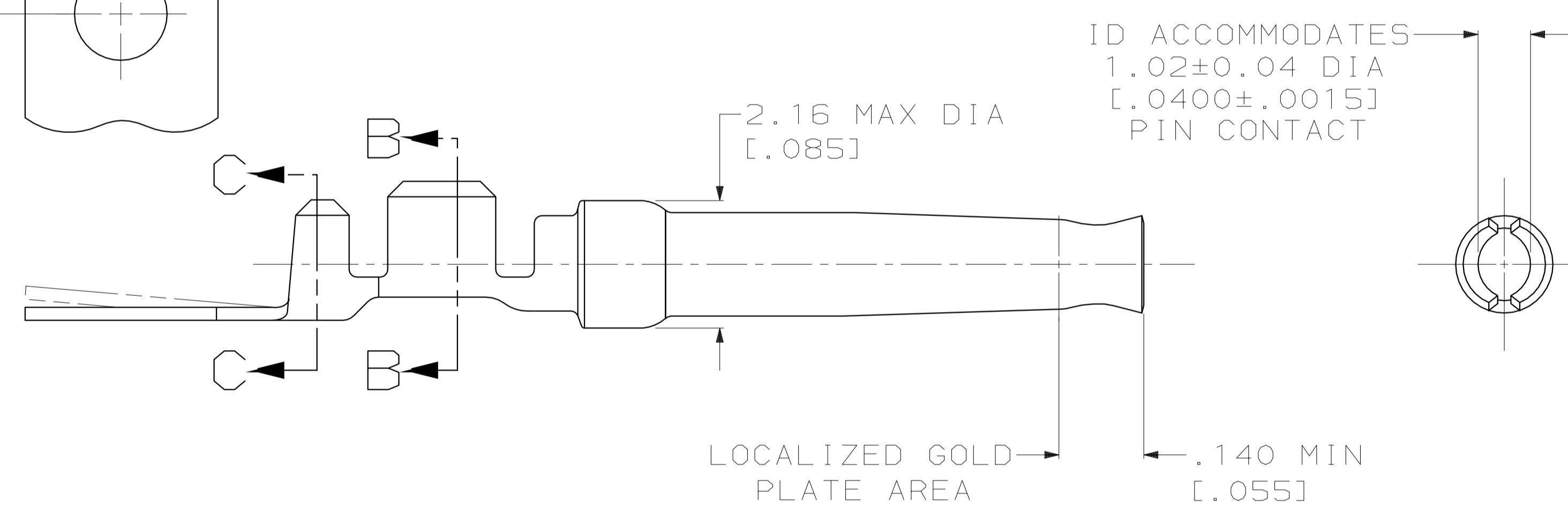
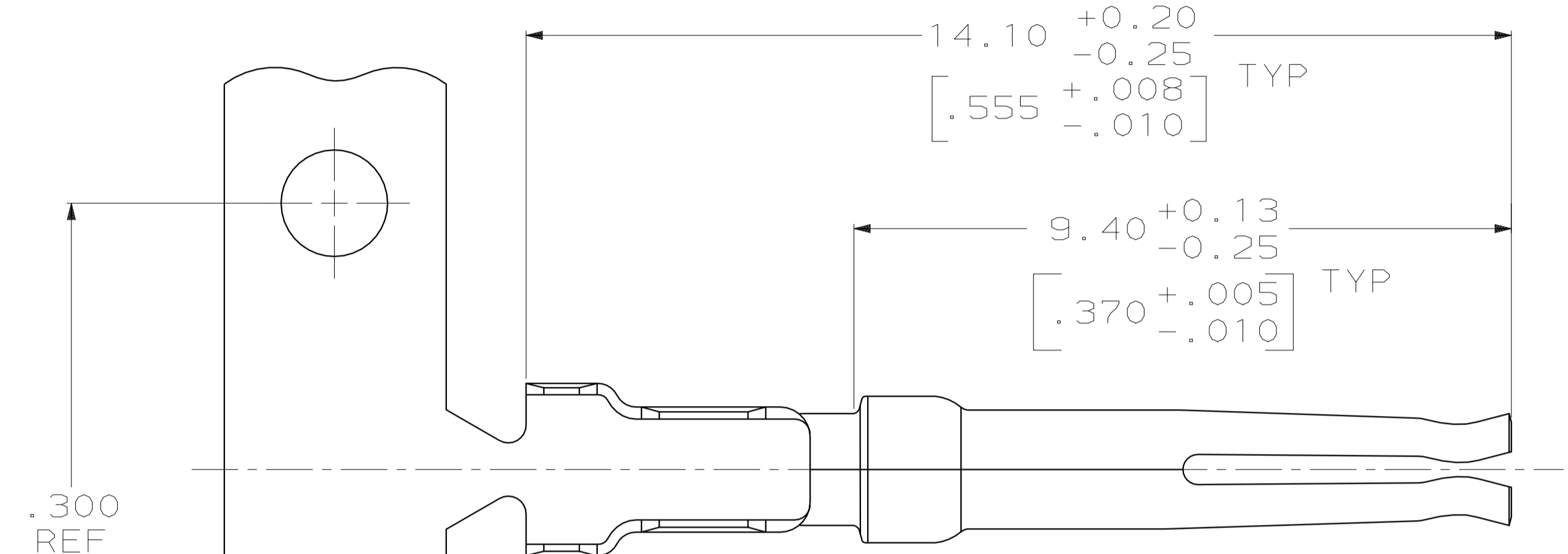
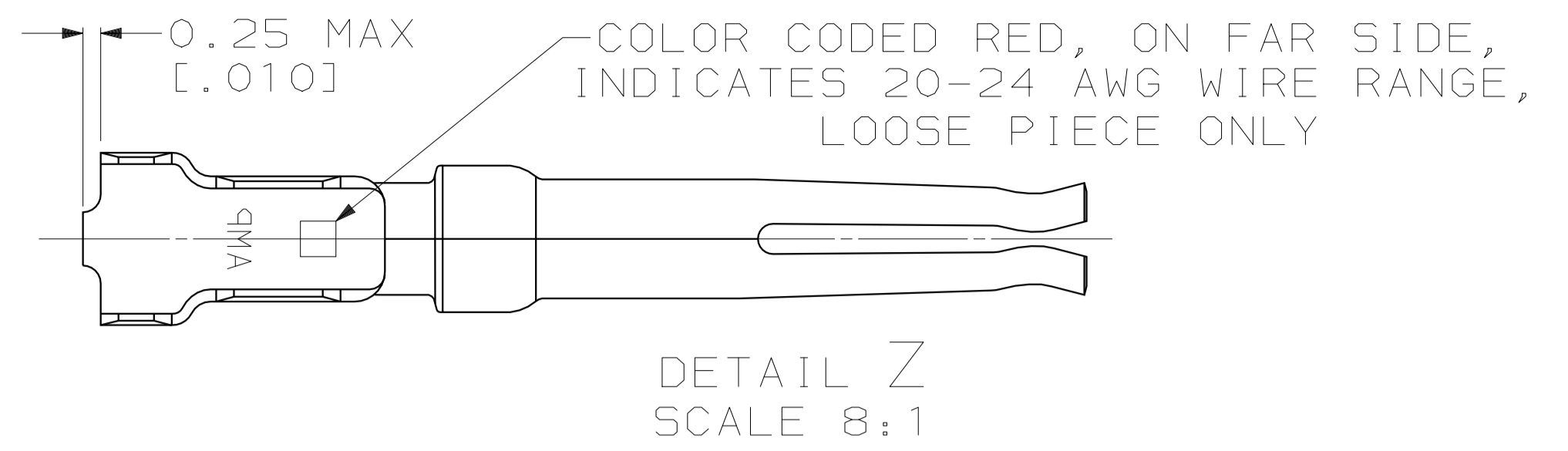
Distributed by:

JAMECO[®]
ELECTRONICS

www.Jameco.com ♦ 1-800-831-4242

The content and copyrights of the attached
material are the property of its owner.

Jameco Part Number 223301



- 1 FOR MINI-APPLICATOR AND STRIPPER CRIMPER.
- 2 FOR HAND TOOL USE ONLY.
- 3 FOR STANDARD APPLICATOR PART #566171 ONLY.
- 4. WIRE RANGE OF 20-24 AWG. INSULATION RANGE OF 1.27/1.52 [0.050-.060].
- 5. GOLD PLATING MAY NOT APPEAR ON CARRIER STRIP.
- 6 GOLD PLATING PER MIL-G-45204, NICKEL PLATING PER QQ-N-290, TIN PLATING PER MIL-T-10727, COPPER PLATING PER MIL-C-14550.
- 7 PLATED WITH 1.27µm [0.000050] GOLD OVER 1.27µm [0.000050] NICKEL.
- 8 PLATED WITH 0.76µm [0.000030] GOLD IN LOCALIZED GOLD PLATE AREA, GOLD FLASH ON REMAINDER, OVER 1.27µm [0.000050] NICKEL.
- 9 PLATED WITH GOLD FLASH OVER 0.76µm [0.000030] NICKEL.
- 10 PLATED WITH 2.54µm - 5.08µm [0.000100 - .000200] TIN.
- 11 PLATED WITH 0.38µm [0.000015] GOLD IN LOCALIZED GOLD PLATE AREA, GOLD FLASH ON REMAINDER, OVER 1.27µm [0.000050] NICKEL.
- 12 PLATED WITH GOLD FLASH IN LOCALIZED GOLD PLATE AREA, 2.54µm [0.000100] TIN PLATED WIRE BARRELS, OVER 0.76µm [0.000030] NICKEL.
- 13 PLATED WITH 0.76µm [0.000030] GOLD IN LOCALIZED GOLD PLATE AREA, TIN PLATED WIRE BARRELS, OVER 1.27µm [0.000050] NICKEL.
- 14 AMP ITALY PART NUMBER ONLY.
- 15 PLATED WITH 1.27µm [0.000050] GOLD IN LOCALIZED GOLD PLATE AREA, GOLD FLASH ON REMAINDER, OVER 1.27µm [0.000050] NICKEL.
- 16 PLATED WITH GOLD FLASH IN LOCALIZED GOLD PLATE AREA, 0.76µm [0.000030] MIN TIN PLATED WIRE BARRELS, OVER 0.76µm [0.000030] MIN NICKEL.

	SPECIAL	13	1	-	7-66504-4
OBSOLETE	SPECIAL	13	1	-	7-66504-3
	STANDARD	16	1	-	7-66504-2
OBSOLETE	STANDARD	13	3	-	7-66504-1
	SMALL PACK	8	2	SEE DETAIL Z	7-66504-0
	STANDARD	15	1	-	6-66504-8
	STANDARD	13	2	SEE DETAIL Z	6-66504-0
	STANDARD	13	1	-	5-66504-9
	STANDARD	12	2	SEE DETAIL Z	5-66504-7
	STANDARD	12	1	-	5-66504-6
OBSOLETE	STANDARD	10	1	-	1-66504-4
	STANDARD	8	3	-	1-66504-2
	STANDARD	9	2	SEE DETAIL Z	1-66504-0
	STANDARD	8	2	SEE DETAIL Z	66504-9
	STANDARD	7	2	SEE DETAIL Z	66504-8
	STANDARD	9	1	-	66504-4
	STANDARD	8	1	-	66504-3
	STANDARD	7	1	-	66504-2
PACKAGING TYPE	FINISH	USE	LOOSE PIECE	PART NUMBER	

THIS DRAWING IS A CONTROLLED DOCUMENT.

DW: RICHARD 3-19-90
 CK: G. LENKER 3-22-90
 APVD: J. ASSINI 3-28-90

AMP Incorporated
 Harrisburg, PA 17105-3608

PRODUCT SPEC: SOCKET CONTACT, SIZE 20 DF, 20-24 AWG, AMPLIMITE

SIZE: A1 CAGE CODE: 00779 DRAWING NO: 66504

MATERIAL: PHOSPHOR BRONZE PER QQ-B-750
 FINISH: SEE TABLE

WEIGHT: -
 CUSTOMER DRAWING

SCALE: 15:1 SHEET 1 OF 1 REV: AJ