

Distributed by:

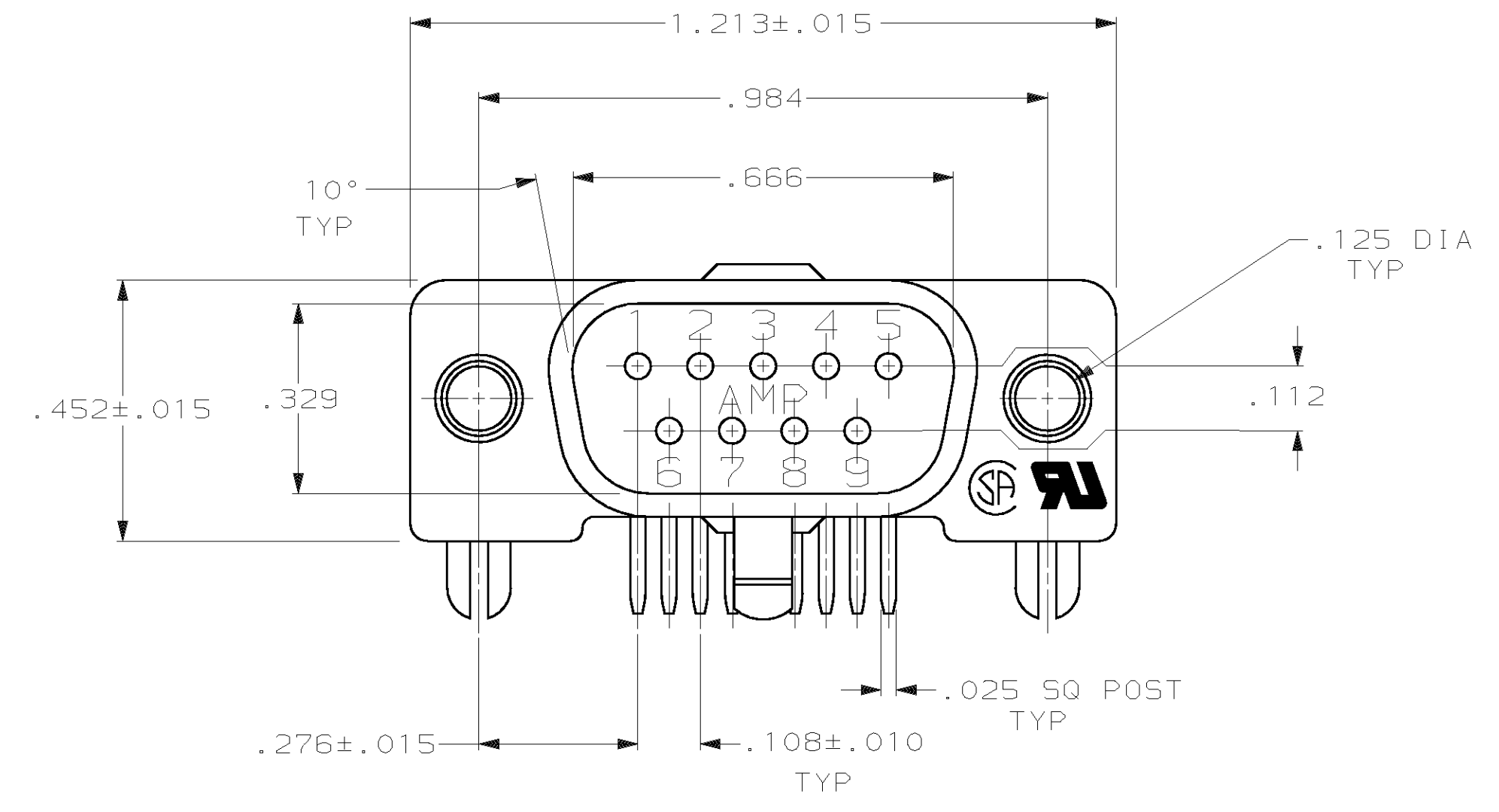
**JAMECO**<sup>®</sup>  
ELECTRONICS

**www.Jameco.com ♦ 1-800-831-4242**

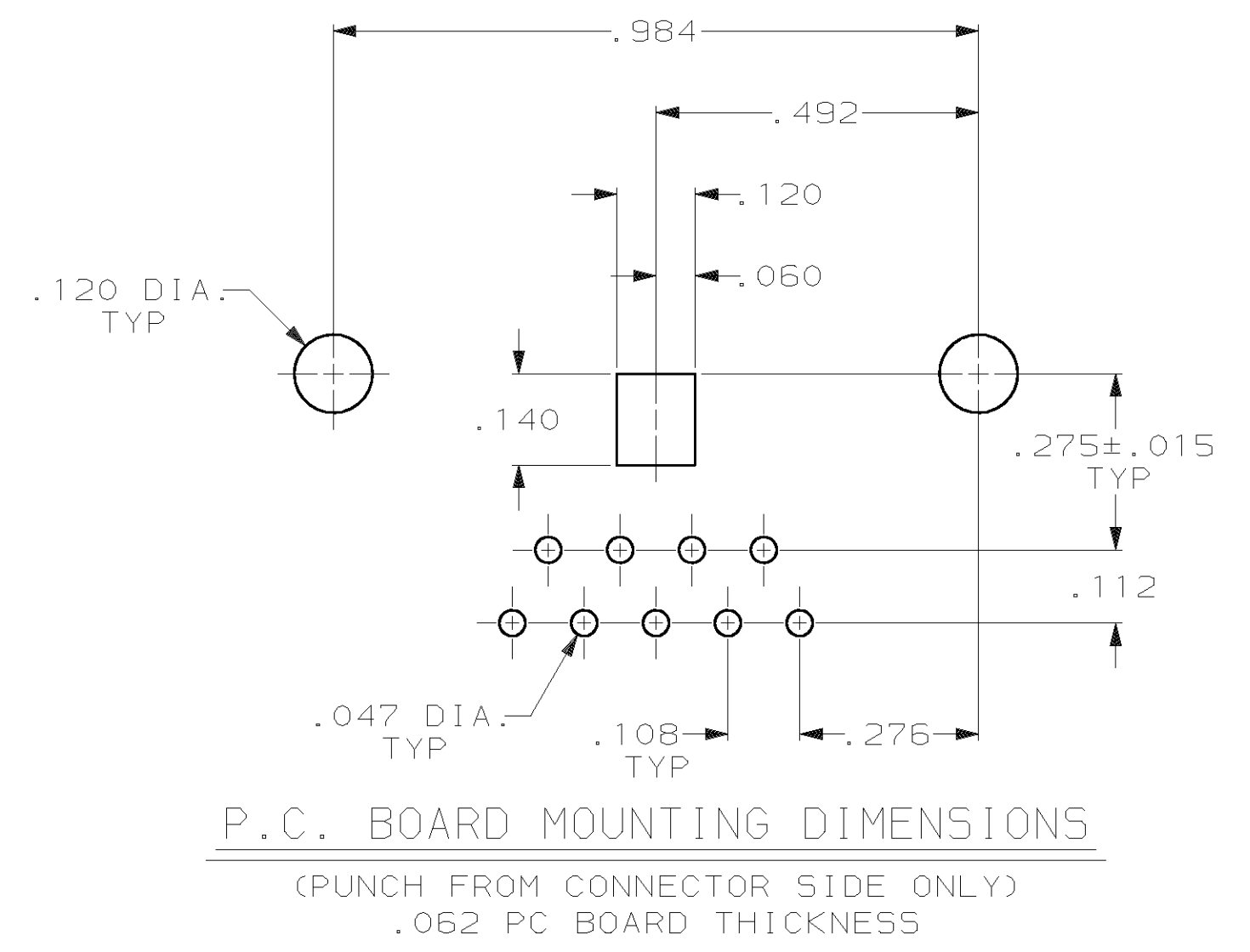
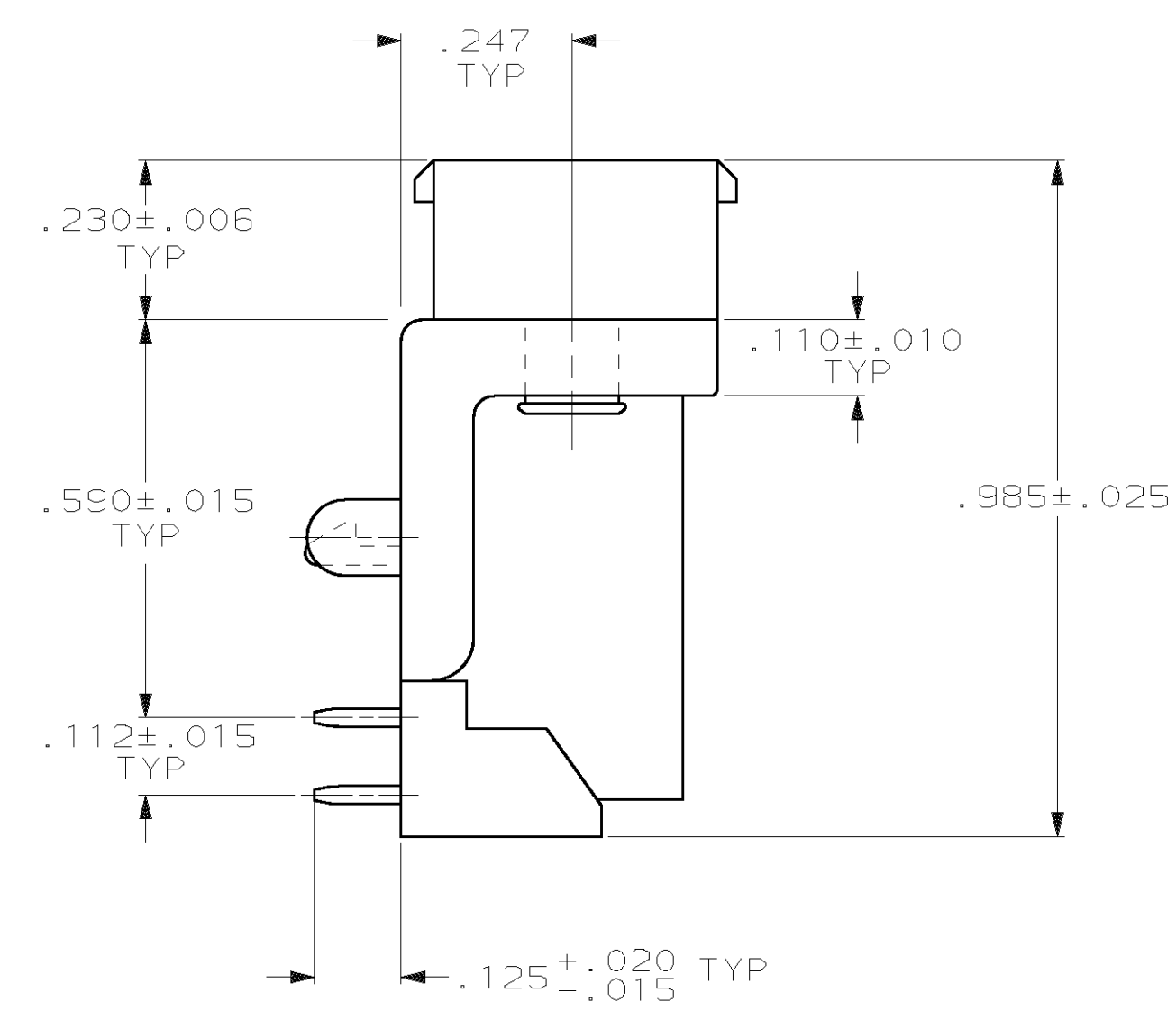
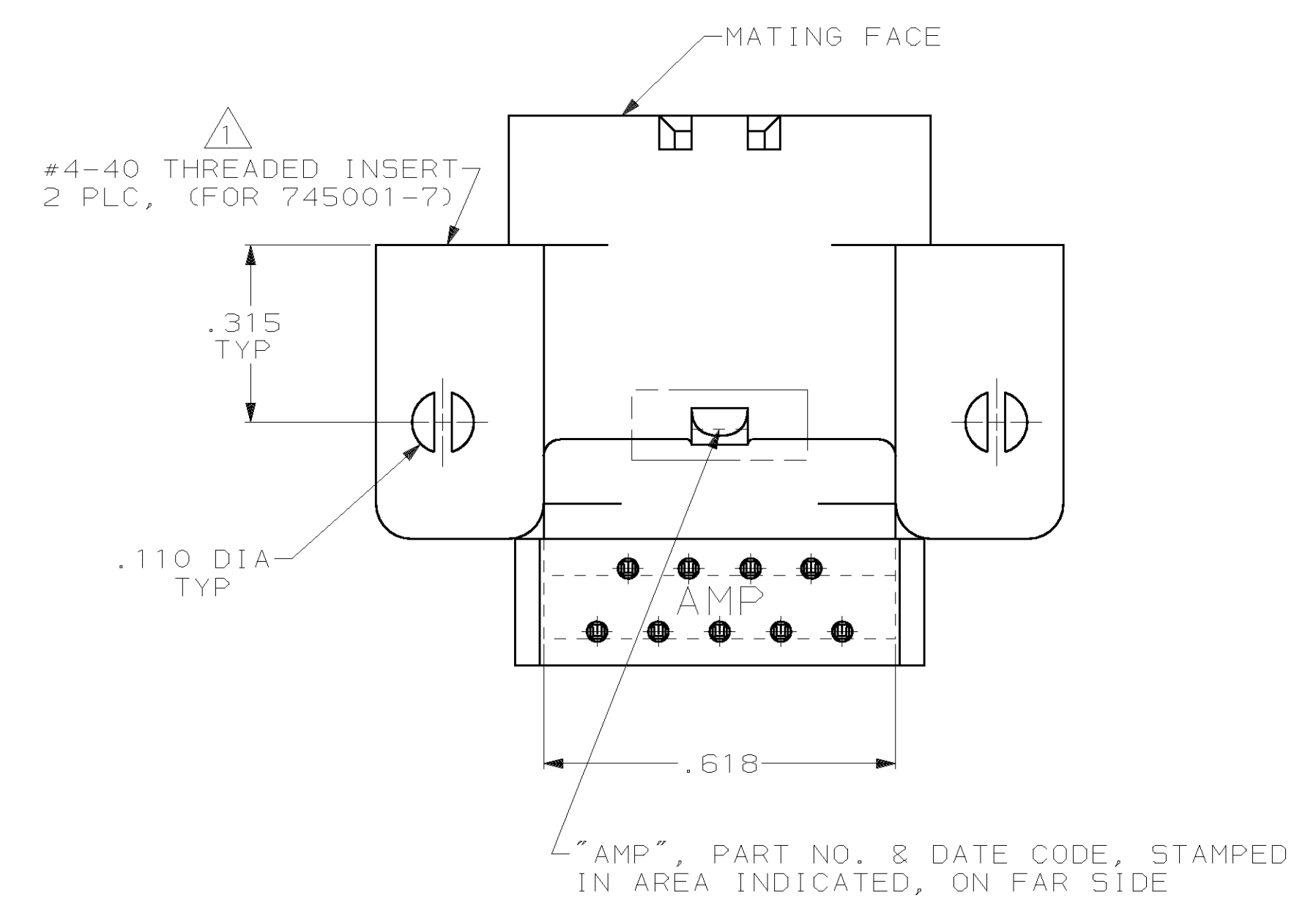
The content and copyrights of the attached  
material are the property of its owner.

Jameco Part Number 860246

LOC		DIST		P		F		ZONE		LTR		REVISIONS			
GP	00											DESCRIPTION	DATE	APPD	
												L	REVISED PER EC 0513-0348-02	27JAN03	JG



- 1 INSERTS WILL WITHSTAND 6 IN. LBS. TORQUE AND 50 LBS. PULL OUT FORCE FROM MATING FACE SIDE.
- 2 FLAME RETARDANT 94V-2 RATED NYLON, COLOR: BLACK.
- 3 BRASS PER MIL-C-50.
- 4 GOLD PLATING PER MIL-G-45204, TIN PLATING PER MIL-T-10727, NICKEL PLATING PER QQ-N-290.
- 5 GOLD PLATED FOR LENGTH OF .150 MIN FROM MATING END, .000030 MIN GOLD IN MATED AREA, .000100 MIN TIN-LEAD ON OPPOSITE END, BOTH OVER .000050 MIN NICKEL.
- 6 GOLD PLATED FOR LENGTH OF .150 MIN FROM MATING END, GOLD FLASH IN MATED AREA, .000100 MIN TIN-LEAD ON OPPOSITE END, BOTH OVER .000050 MIN NICKEL.



PACKAGING	REMARKS	CONTACT FINISH	PART NUMBER
			745001-9
			745001-8
			745001-7
			745001-6
			745001-5
			745001-3
			745001-2
			745001-1

SUPERSEDED BY 745001-2  
 OBSOLETE  
 OBSOLETE TUBES WITH INSERTS  
 OBSOLETE  
 OBSOLETE

DO NOT SCALE PRINT. UNLESS SPECIFIED DIMENSIONS IN INCHES. TOLERANCES ON: 2 PLC DEC ± 3 PLC DEC ± .005 ANGLES ± 2°		DR 09/21/93 K.FOLTZ CHK 9-22-93 R.STONE APPD 9-23-93 J.DOMINGOS APPD 9-23-93 W.PARKER	<b>AMP</b> AMP Incorporated Harrisburg, PA 17105-3508	
MATERIAL MOLDED PARTS: 2	CONTACTS: 3	PRODUCT SPEC 108-40025	NAME PLUG ASSEMBLY, SIZE 1, 9 POS., RIGHT ANGLE, .590 SERIES, .025 SQ. POSTS WITH PANEL LOCKS, AMPLIMITE™ HDJ	
INSERTS: BRASS	FINISH: 4	APPLICATION SPEC	SIZE D	CAGE CODE 00779
CONTACTS: SEE TABLE			DRAWING NO. C-745001	
		WEIGHT	SCALE 4:1	SHEET 1 OF 1

THIS DRAWING IS A CONTROLLED DOCUMENT FOR AMP INCORPORATED. IT IS SUBJECT TO CHANGE AND THE CONTROLLING ENGINEERING ORGANIZATION SHOULD BE CONTACTED FOR THE LATEST REVISION.