

Distributed by:

JAMECO[®]
ELECTRONICS

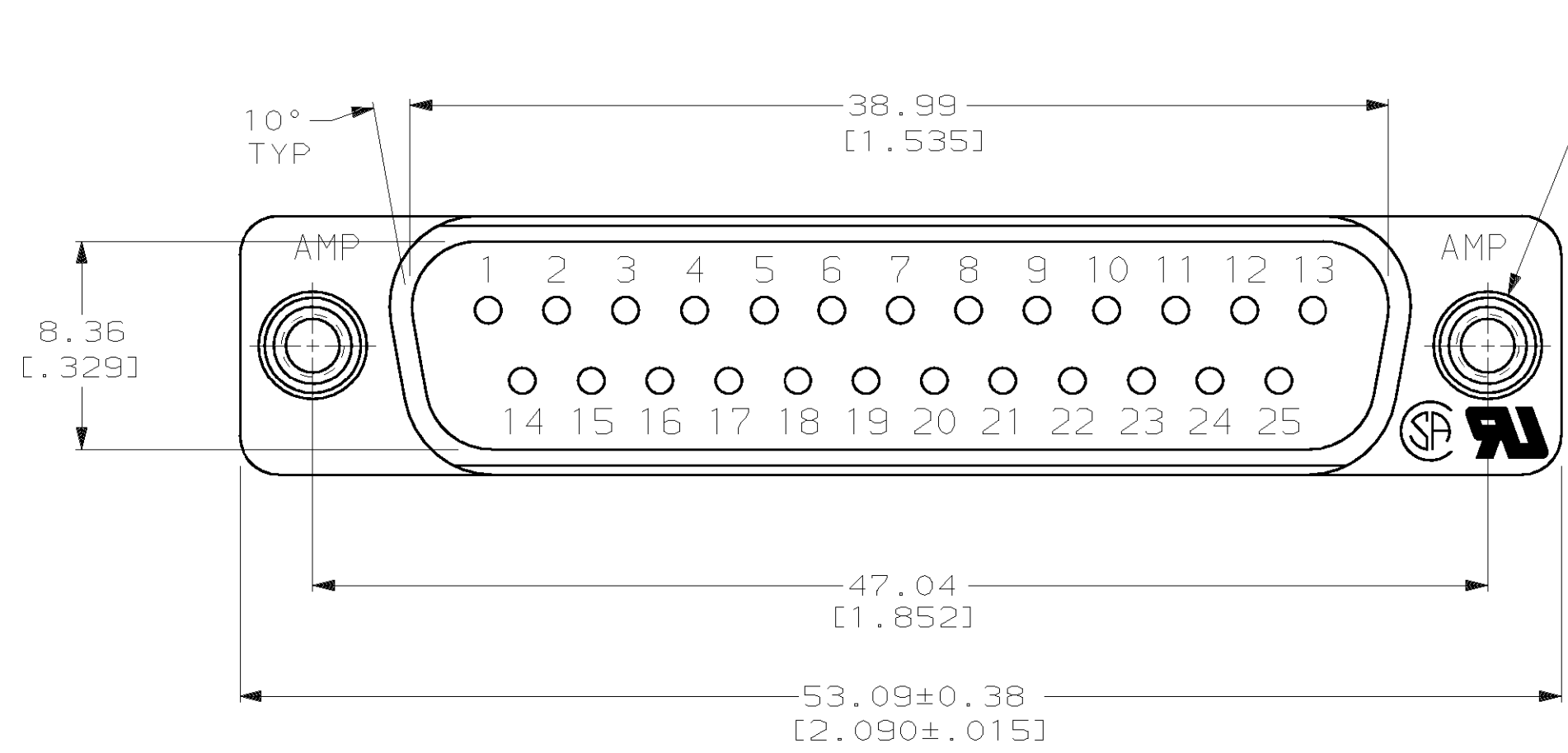
www.Jameco.com ♦ 1-800-831-4242

The content and copyrights of the attached
material are the property of its owner.

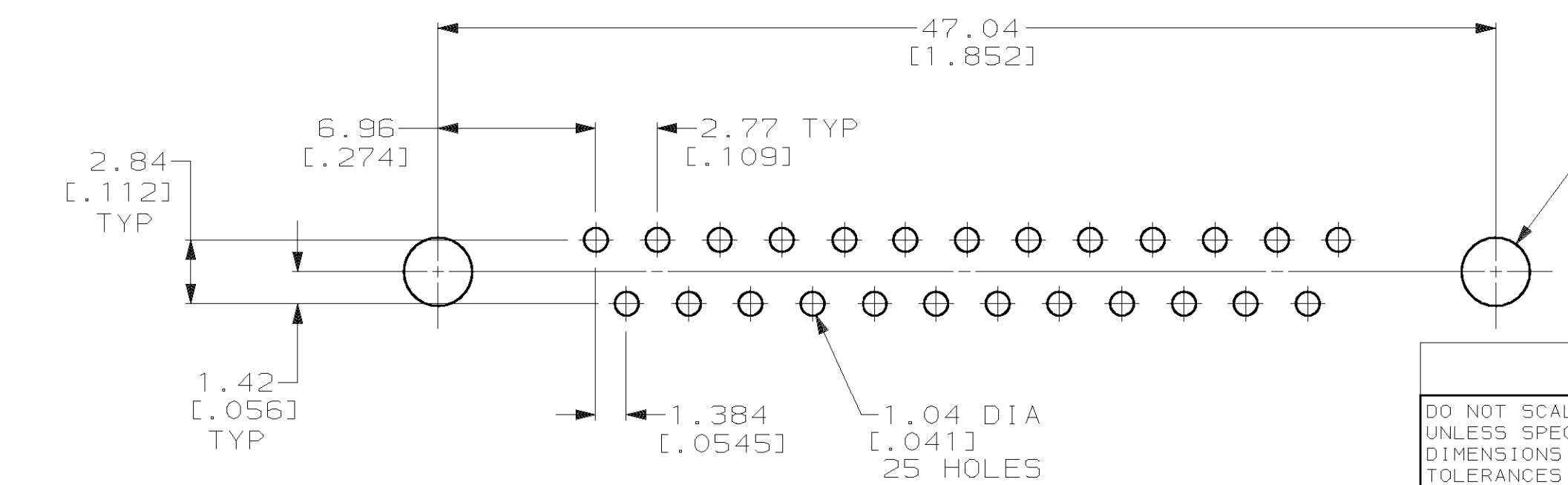
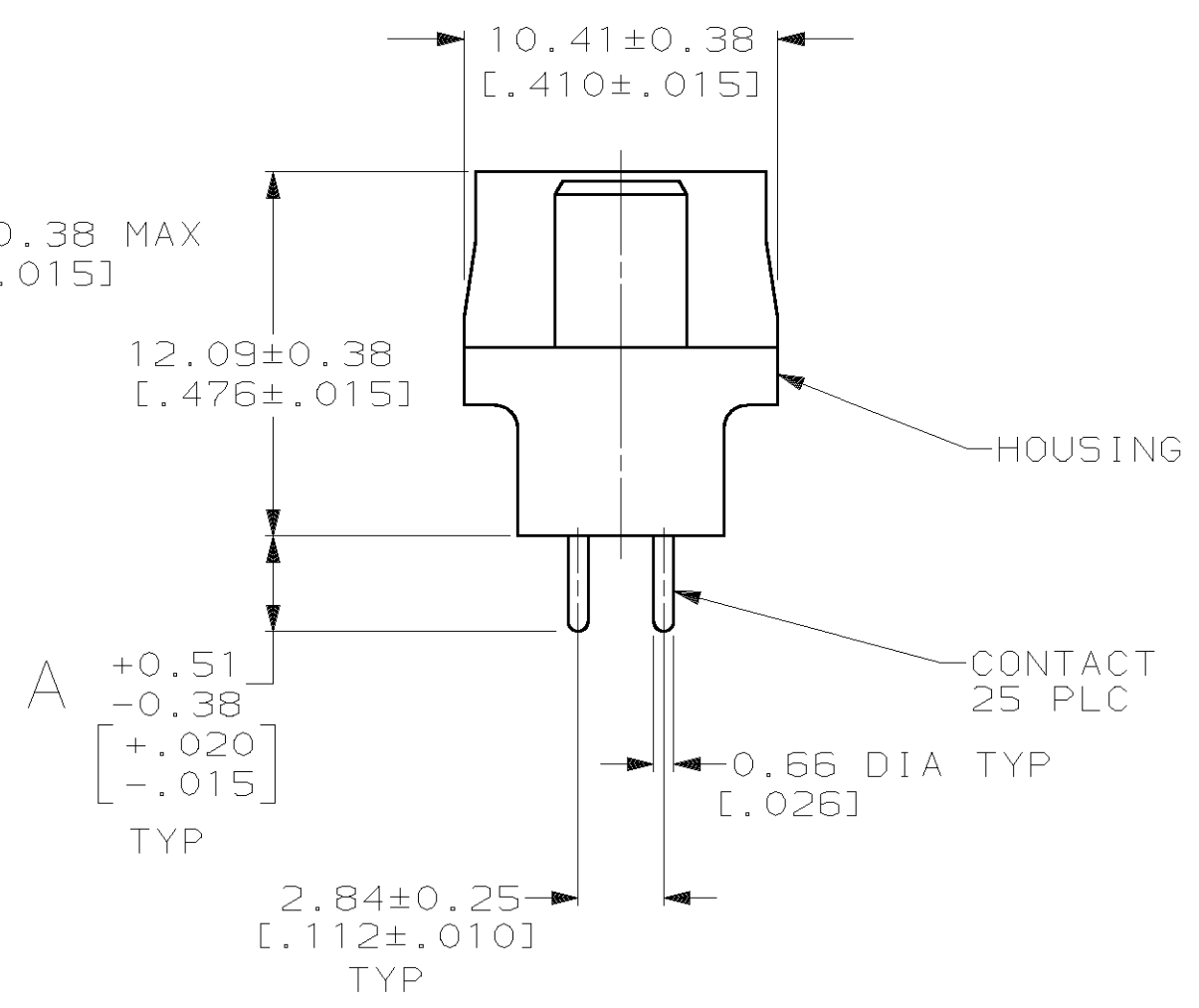
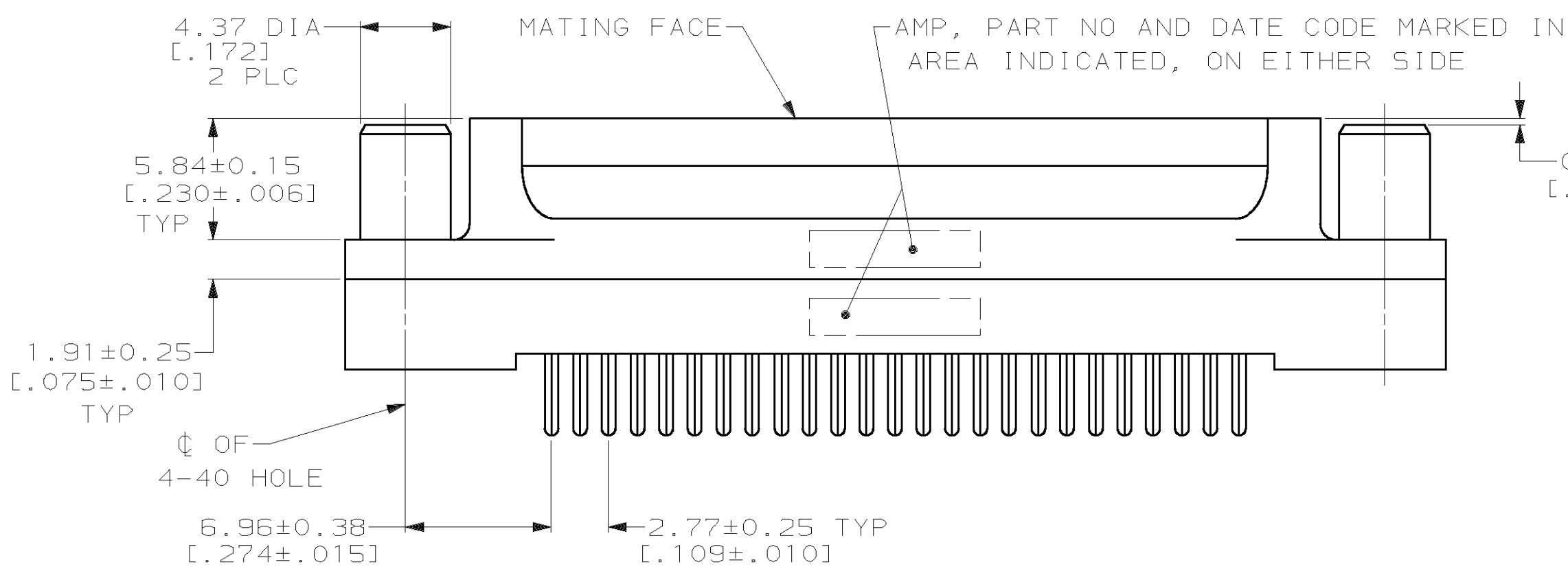
Jameco Part Number 860481

THIS DRAWING IS UNPUBLISHED. RELEASED FOR PUBLICATION .19
 © COPYRIGHT 19 BY AMP INCORPORATED. ALL INTERNATIONAL RIGHTS RESERVED.

LOC		DIST		REVISIONS			
ZONE	LTR	DESCRIPTION	DATE	APPD			
BD	77	P	F	F	OBSOLETE -5 PER EC 0020-456-95	19 JAN 96	RLT
				G	REV PER EC 0640-421-98	18 MAR 99	RT
				H	OBS -4 AND REV PER EC OU1D-0126-00	14 NOV 00	RF



- ① HOUSING: BLACK POLYESTER, UL 94V-0 RATED; CONTACT: BRASS PER MIL-C-50; SCREWLOCK: BRASS PER QQ-B-626.
- ② GOLD PLATING PER MIL-G-45204, TIN PLATING PER MIL-T-10727, NICKEL PLATING PER QQ-N-290, COPPER PLATING PER MIL-C-14550.
- ③ GOLD PLATED FOR A LENGTH OF 3.81 [.150] MIN FROM MATING END, GOLD FLASH IN MATED AREA, 2.54µm [.000100] MIN TIN OR TIN-LEAD FOR A LENGTH OF DIMENSION A FROM OPPOSITE END, ALL OVER 1.27µm [.000050] MIN NICKEL.
- ④ GOLD PLATED FOR A LENGTH OF 3.81 [.150] FROM MATING END, 0.76µm [.000030] MIN GOLD IN MATED AREA, 2.54µm [.000100] MIN TIN OR TIN-LEAD FOR A LENGTH OF DIMENSION A FROM OPPOSITE END, ALL OVER 1.27µm [.000050] MIN NICKEL.
- ⑤ 1.27µm [.000050] MIN NICKEL OVER COPPER FLASH.



	A	CONTACT FINISH	PART NO
OBSOLETE	6.35 [.250]	④	745073-6
OBSOLETE	6.35 [.250]	③	745073-5
OBSOLETE	4.32 [.170]	④	745073-4
	4.32 [.170]	③	745073-3
	3.18 [.125]	④	745073-2
	3.18 [.125]	③	745073-1

RECOMMENDED PC BOARD MOUNTING DIMENSIONS

DO NOT SCALE PRINT. UNLESS SPECIFIED DIMENSIONS IN mm [INCHES] TOLERANCES ON: 2 PLC DEC ± 0.13 [.005] 3 PLC DEC ± - ANGLES ± 2°	DR 11-14-89 J McCLINTON	AMP INCORPORATED Harrisburg, Pa. 17105	
	CHK 2-2-90 R. STONE		
MATERIAL ①	APPD 2-2-90 S. SCHIEFFERLY	SIZE C	CAGE CODE 00779
	APPD 2-2-90 C. RÖHDE	SCALE 4:1	DRAWING NO 745073
FINISH ② CONTACT: SEE TABLE SCREWLOCK: ⑤	PRODUCT SPEC 108-40025	WEIGHT -	SHEET 1 OF 1