

Distributed by:

JAMECO[®]
ELECTRONICS

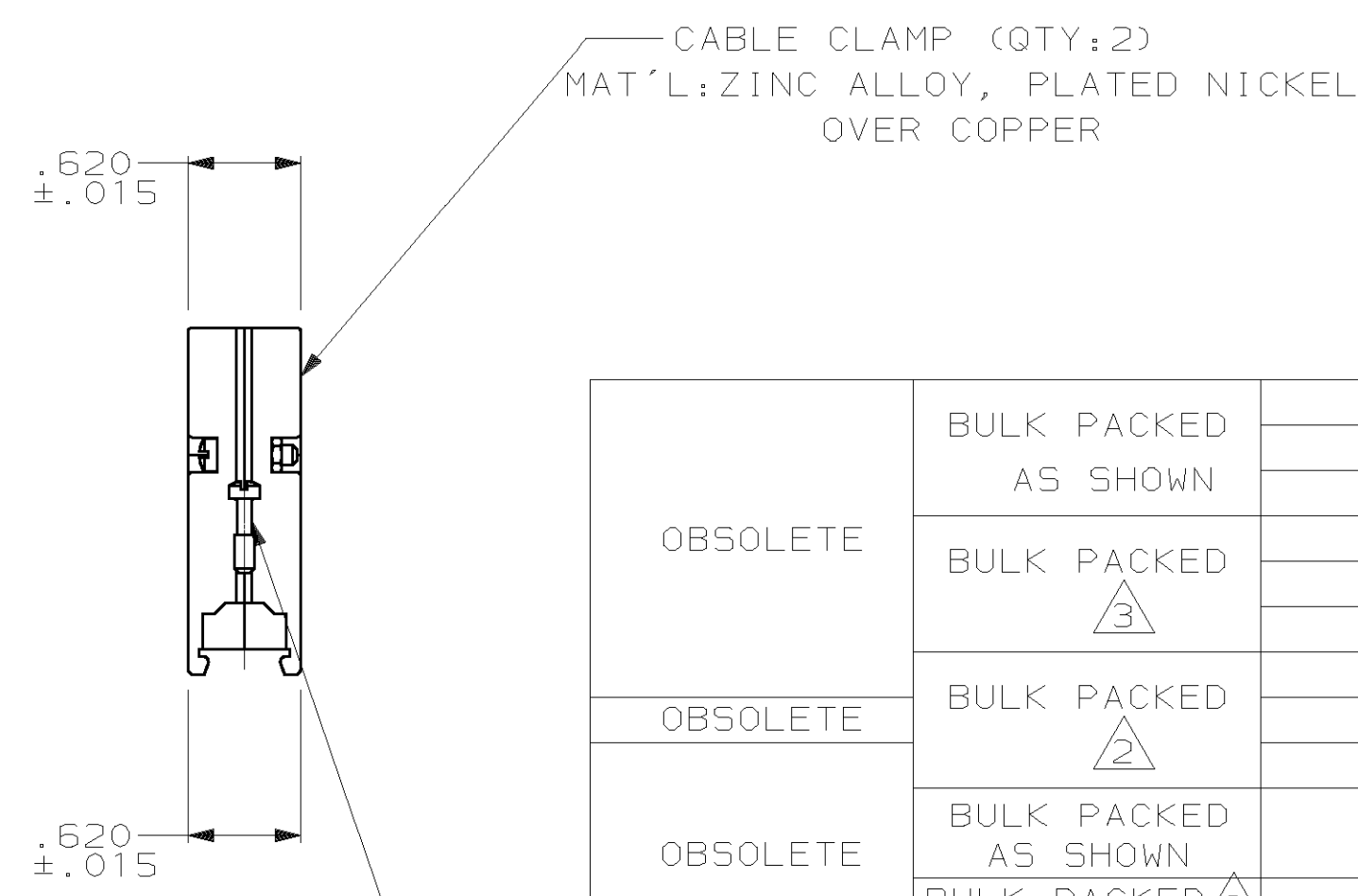
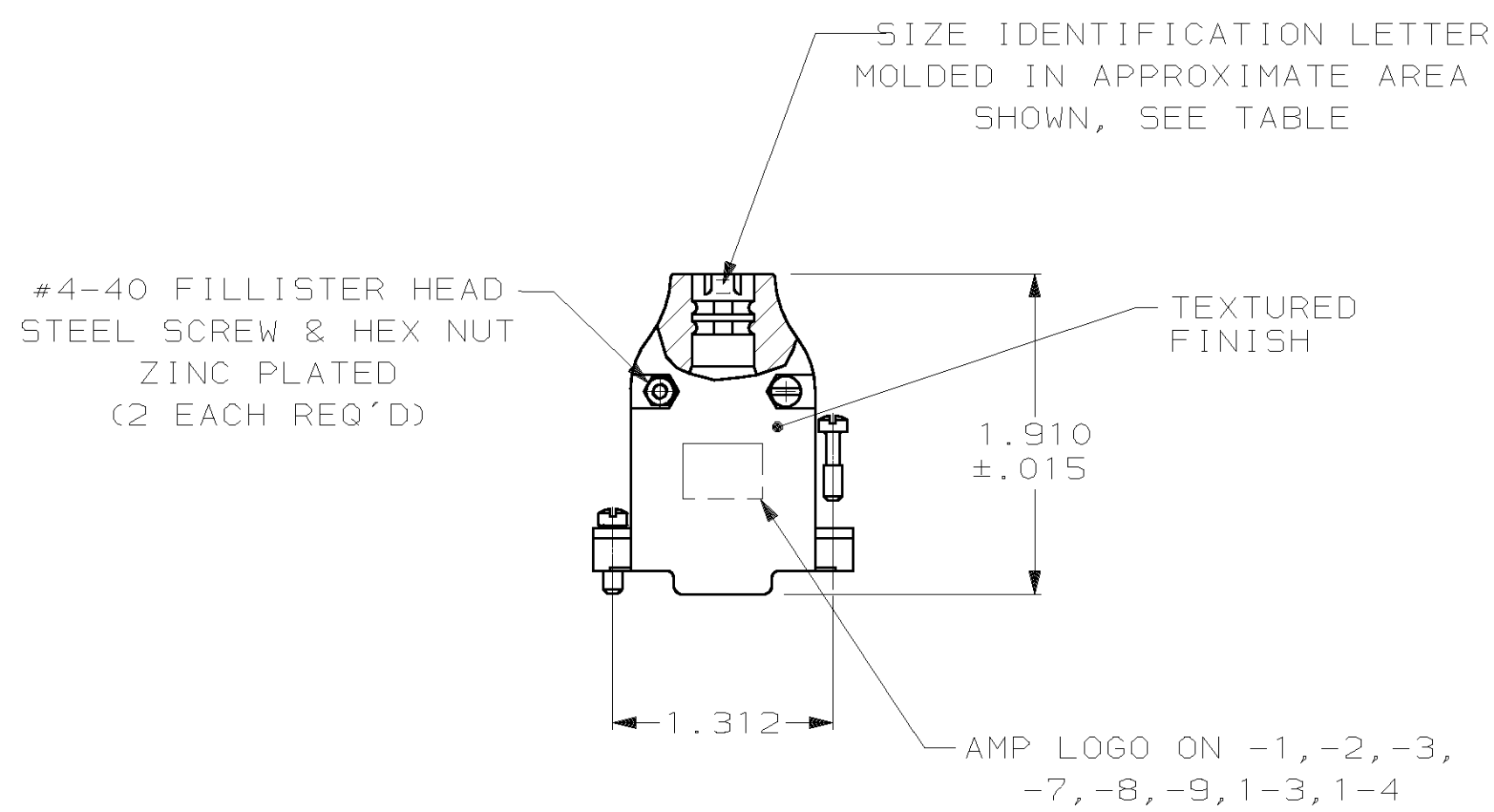
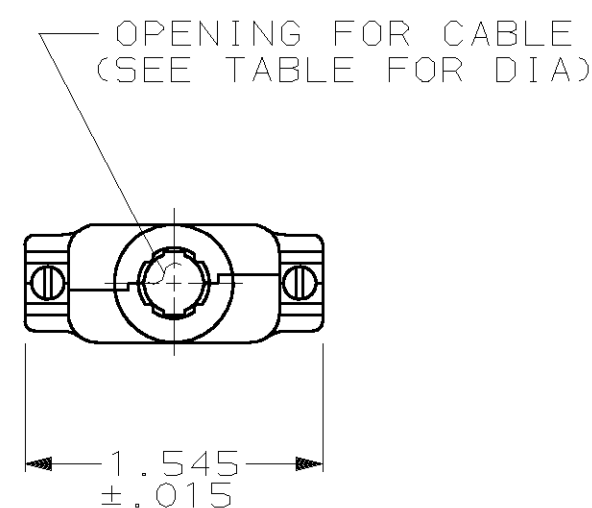
www.Jameco.com ♦ 1-800-831-4242

The content and copyrights of the attached
material are the property of its owner.

Jameco Part Number 860975

THIS DRAWING IS UNPUBLISHED. RELEASED FOR PUBLICATION
 © COPYRIGHT 19 BY AMP INCORPORATED. ALL INTERNATIONAL RIGHTS RESERVED.

LOC	DIST	P	F	REVISIONS				
				ZONE	LTR	DESCRIPTION	DATE	APPD
BD	48				F	REDRAWN	6/22/90	-
					G	OBS 1-8 PER ECN BD6177	06/19/92	TS
					H	OBS -14 PER EC 0020-1534-93	04/14/94	PR
					J	REV PER EC 0020-309-95	05/04/95	JS
					K	REV PER EC 0020-881-95	25 AUG 95	JS
					L	REV PER EC 0U1D-83-00	28 MAR 00	DK



#4-40 FILLISTER HD SCREW
MAT'L: STEEL, ZINC PLATED ①
QTY:2

- 1. PARTS PACKAGED UNASSEMBLED.
- ② SUPPLIED WITHOUT MTG SCREWS ① & LOGO.
- ③ SUPPLIED WITHOUT MTG SCREWS ①.

OBSOLETE	BULK PACKED AS SHOWN		.375	2-745172-5
			.300	2-745172-4
			.225	2-745172-3
OBSOLETE	BULK PACKED ③		.375	2-745172-2
			.300	2-745172-1
			.225	2-745172-0
OBSOLETE	BULK PACKED ②		.375	1-745172-9
		E	.300	1-745172-8
OBSOLETE	BULK PACKED AS SHOWN		.225	1-745172-7
			.375	1-745172-6
	BULK PACKED ③		.430	1-745172-5
OBSOLETE	AS SHOWN	K	.430	1-745172-4
		K	.430	1-745172-3
		B	.225	745172-9
OBSOLETE			.300	745172-8
			.375	745172-7
			.225	745172-3
OBSOLETE	AS SHOWN	E	.300	745172-2
		H	.375	745172-1
	REMARKS	NECK IDENT	CABLE DIA	PART NO.

DO NOT SCALE PRINT. UNLESS SPECIFIED DIMENSIONS IN INCHES TOLERANCES ON : 2 PLC DEC ± - 3 PLC DEC ± .005 ANGLES ± -	DR 6/22/90 A. STAUB BG CHK 9/10/90 J. MCCLINTON APPD 9/11/90 BOB TAYLOR APPD 9/11/90 J. ASSINI	AMP AMP INCORPORATED Harrisburg, Pa. 17105	
MATERIAL SEE CALLOUTS	PRODUCT SPEC -	NAME CABLE CLAMP KIT, UNASSEMBLED, SIZE 2, 15 POSITION, 180°, AMPLIMITE™	
FINISH SEE CALLOUTS	APPLICATION SPEC -	SIZE C	FSCM NO 00779
WEIGHT -	SCALE 1:1	DRAWING NO 745172	SHEET 1 OF 1