

Unshielded Cable Clamps (Continued)

Material

Black thermoplastic

Related Product Data:

Connectors used with:

HDE All-Plastic—pages 117 & 118
HDE Metal-Shell—pages 119 & 120

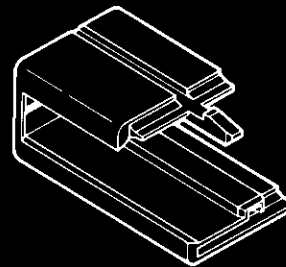
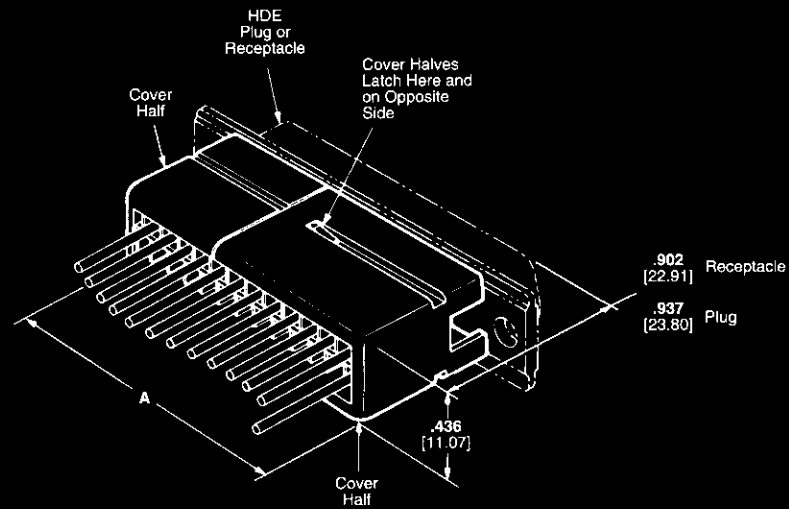
Other accessory capabilities:

RFI/EMI Metal Shields—
 pages 146 & 147
Male Screw Retainers—
 pages 151 & 152
Locking Posts and Slide Latches—
 pages 154-156
Latching Blocks—pages 158 & 159

Technical Documents:

Instruction Sheet—408-6658

Slide-On Back Covers



Back Cover Half
 (See Note 2.)

Shell Size	Dim. A	Back Cover Kit No. Individual
1	.610 15.49	745530-1
2	.934 23.72	745530-2
3	1.482 37.64	745530-3
4	2.134 54.20	745530-4

Notes: 1. All parts are packaged unassembled.
 2. Each slide-on back cover kit includes two identical cover halves which snap together over the connector.



Cable Connectors