

Distributed by:

JAMECO[®]
ELECTRONICS

www.Jameco.com ♦ 1-800-831-4242

The content and copyrights of the attached
material are the property of its owner.

Jameco Part Number 614096

Hardware

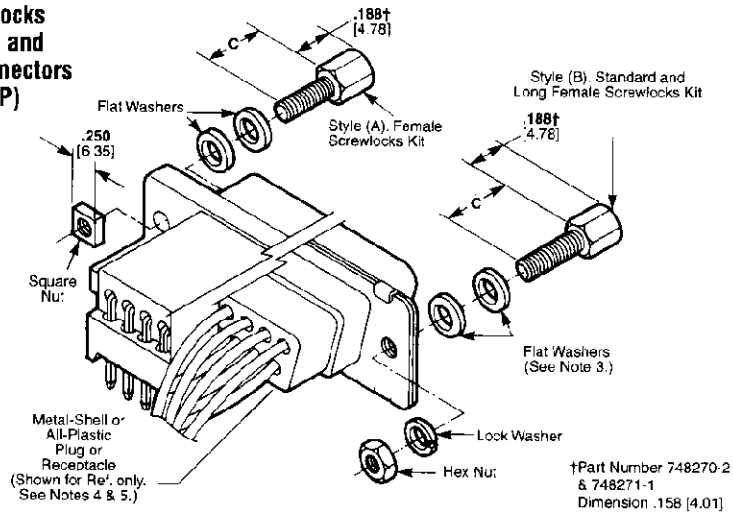
Material and Finish:

All Parts—Cold rolled steel, zinc plated clear or yellow chromate

Technical Documents:

Instruction Sheet—408-7837

Female Screwlocks for Metal-Shell and All-Plastic Connectors (HDE, HDF, HDP)



†Part Number 748270-2 & 748271-1
Dimension .158 [4.01]



Nut Driver, Part No. 811262-1

(Used for assembling female screwlocks to connector flange)

Connector Used with	Style	Dimension C	Thread Size	Finish	Kit Number	
					Individual	Bulk Packed ^a
HD All-Plastic Right-Angle Plugs and Receptacles	(A)	.250 6.35	4-40	Yellow Chromate	207952-1	—
				Clear Chromate	207952-3	—
HDE Metal-Shell or All-Plastic Plugs and Receptacles	(B)	.250 6.35	4-40	Yellow Chromate	745563-1	745563-2
				Clear Chromate	745563-3	745563-4
HDP or HDF Metal-Shell or All-Plastic Plugs and Receptacles	(B)	.312 7.93	4-40	Yellow Chromate	205817-1	205817-2
				Clear Chromate	748271-1†	—
			M3 (Metric)	Yellow Chromate	207872-1	—
				Clear Chromate	207872-3	—
			4-40††	Yellow Chromate	206897-1	—
				Clear Chromate	—	—
HD or HDF All-Plastic Plugs and Receptacles with Integral Standoffs	(B)	.560 14.22	4-40	Yellow Chromate	207719-1	207719-2
				Clear Chromate	207719-3	207719-4
			2-56*	Clear Chromate	747223-3	747223-4

^aEach part is individually bulk packed for multiple kit orders.

- Notes:
1. All parts are packaged unassembled.
 2. Each female screwlock kit is comprised of two assemblies as illustrated above.
 3. One or two flat washers may be required for panel thicknesses less than .060 [1.52]. Female screwlocks are not recommended for panel thicknesses greater than .060 [1.52].
 4. Female screwlocks with 4-40 and M3 (Metric) thread sizes can be used with all other cable clamps. *2-56 is the male thread size. The female thread size is 4-40.

††206897-1 kit contains 2-screwlocks, 2-hex nuts and 2-retainers.

^aEach part is individually bulk packed for multiple kit orders.

†Part No. 748271-1 dimension 4.01 [1.58].

Individual Screwlocks

(Washers and Nuts not included)

Connector Used with	Style	Dimension C	Thread Size	Finish	Screwlocks	
					Individual	Bulk Packed ^a
HD All-Plastic Right-Angle Plugs and Receptacles	(A)	.250 6.35	4-40	Yellow Chromate	207953-2	—
				Clear Chromate	207953-3	—
				Clear Chromate	205818-3	748558-4 ^{aa}
				Yellow Chromate	205818-2	—
HDP or HDF Metal-Shell or All-Plastic Plugs and Receptacles	(B)	.312 7.93	M2.6** (Metric)	Clear Chromate	749765-3	—
				4-40†	Yellow Chromate	748270-2
			M3*** (Metric)	Clear Chromate	747404-3	—
				(Special)	.185 4.70	4-40

^{aa}With captivated star washer. No additional hardware included.

†Part No. 748270-2 Dimension .158 [4.01]

**M2.6 is the female thread size. The male thread size is 4-40.

***M3 is the female thread size. The male thread size is 4-40.