

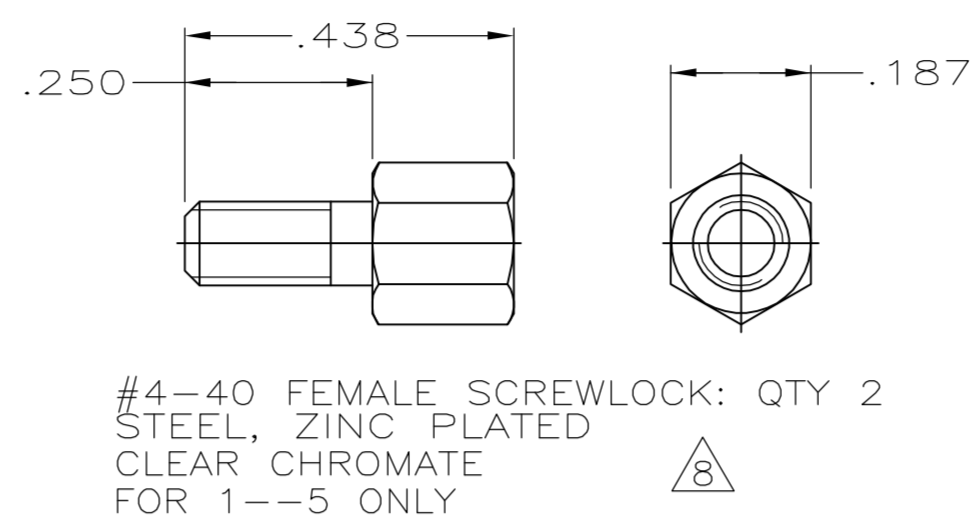
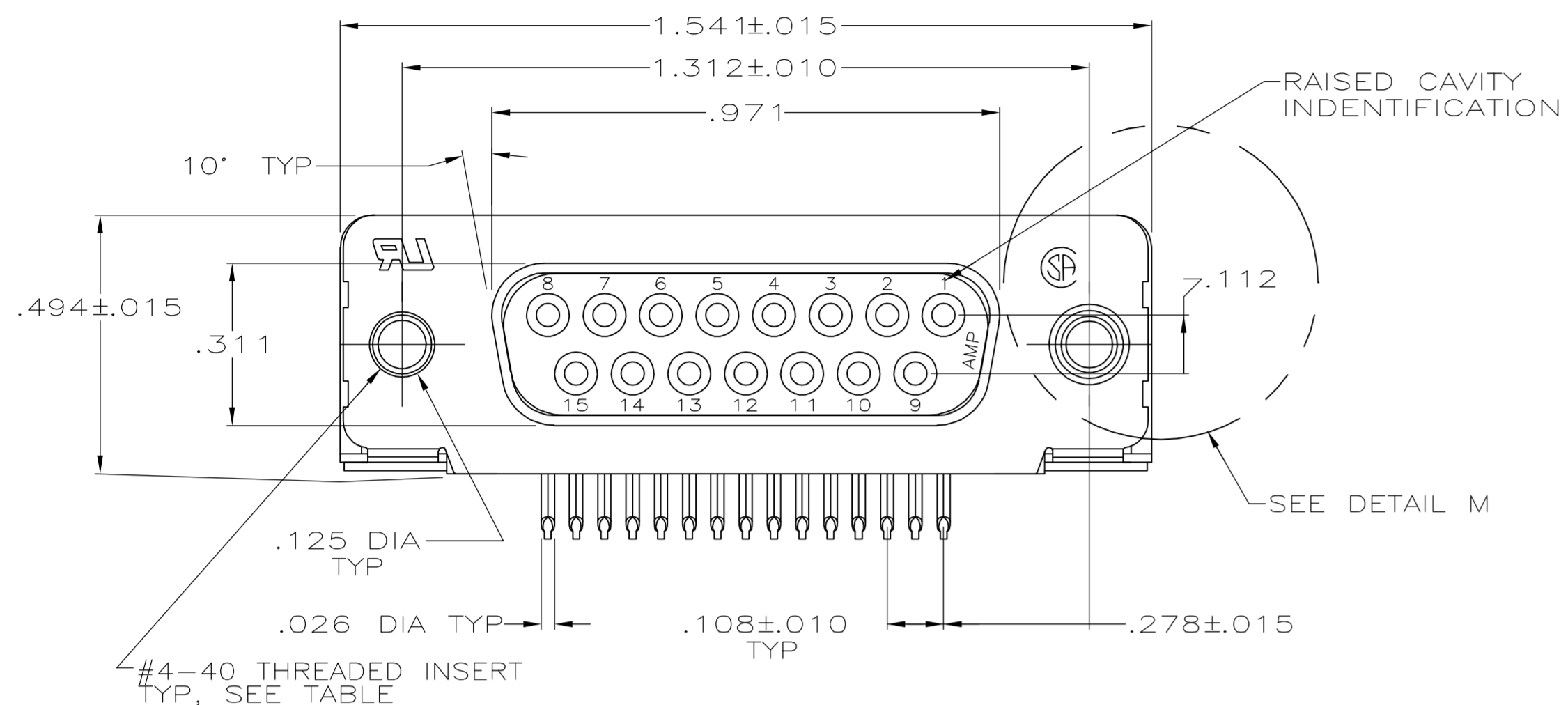
Distributed by:

**JAMECO**<sup>®</sup>  
ELECTRONICS

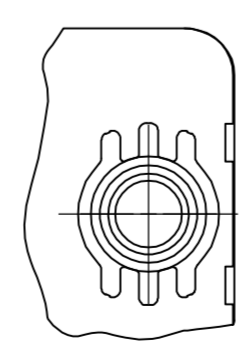
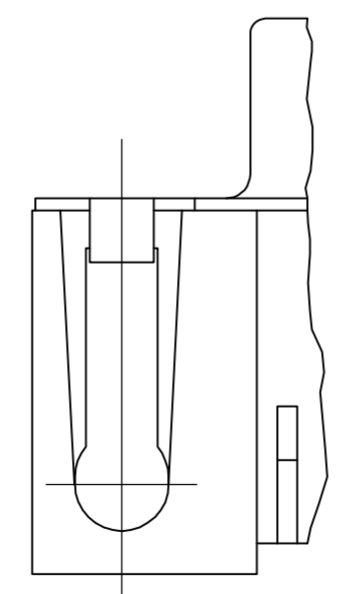
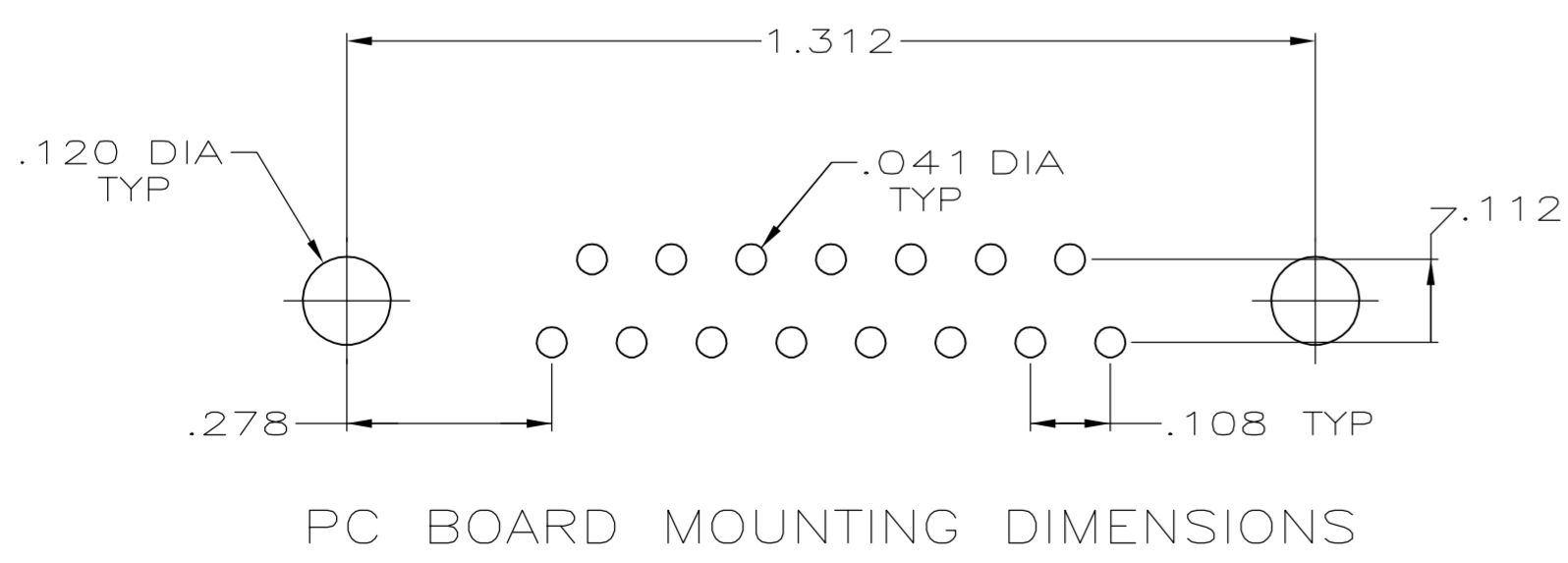
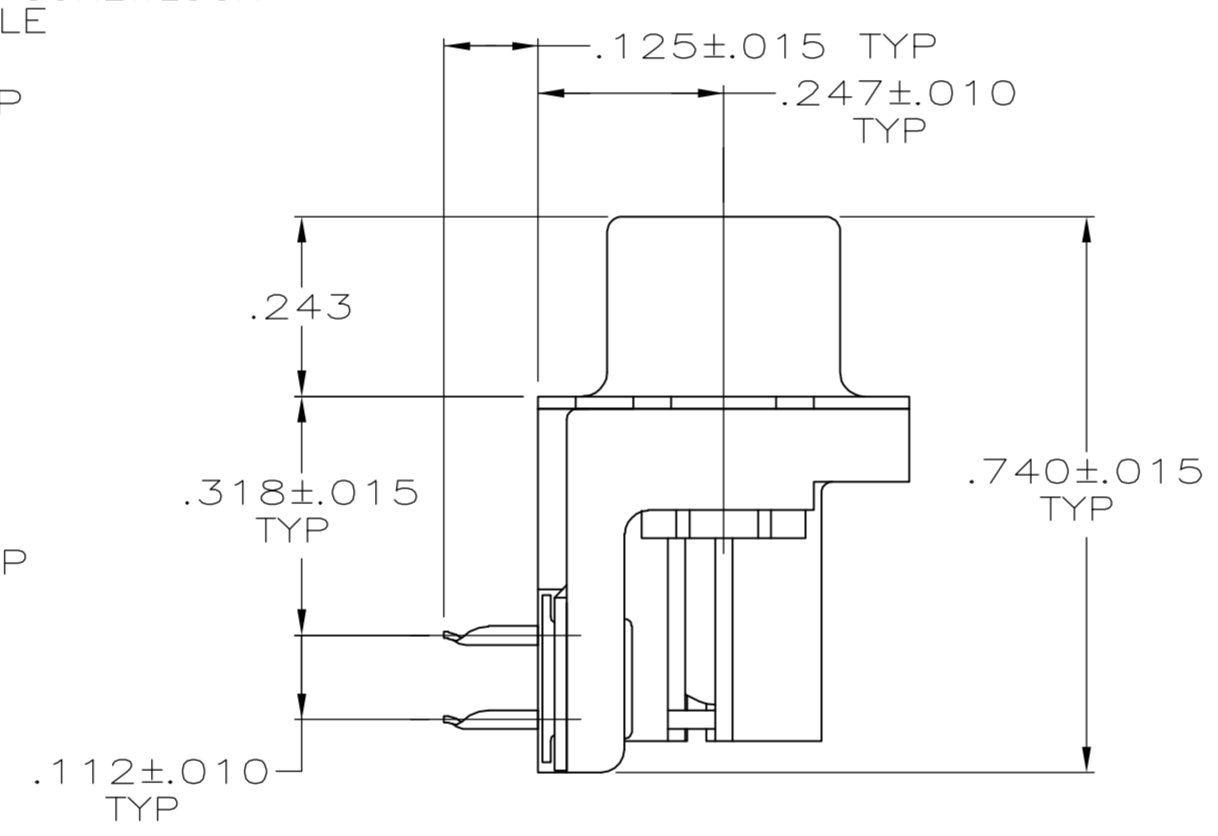
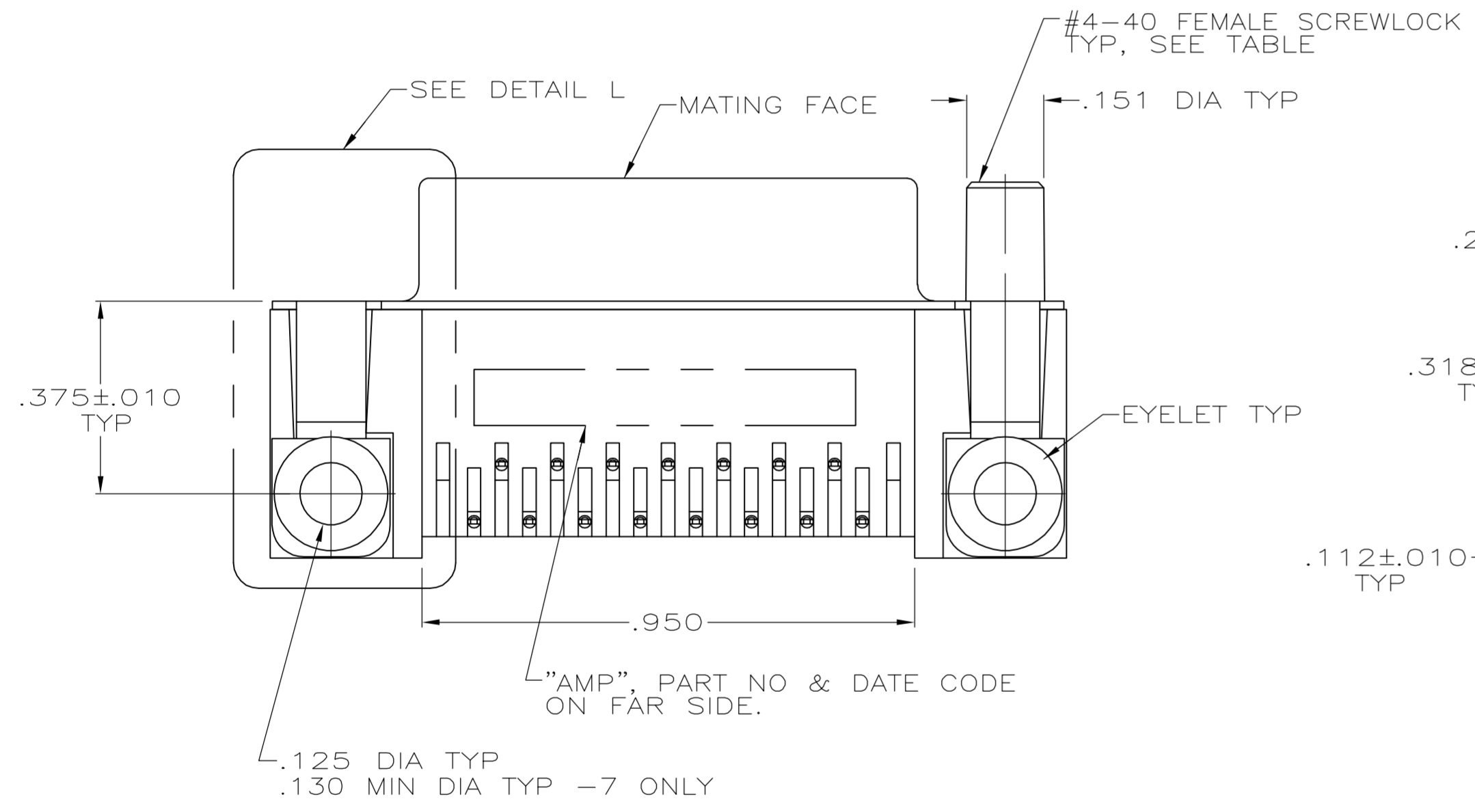
**www.Jameco.com ♦ 1-800-831-4242**

The content and copyrights of the attached  
material are the property of its owner.

Jameco Part Number 862647



- CONNECTOR MATES WITH ANY 15 POSN PLUG IN AMPLIMITE™ SERIES & COMPLIES WITH AMP SPEC 108-40005 WHERE APPLICABLE.
- MOLDED PARTS: FLAME RETARDANT 94V-0 RATED THERMOPLASTIC, BLACK.  
SHELL: STEEL PER ASTM A109  
CONTACTS: PHOSPHOR BRONZE PER QQ-B-750  
EYELETS: BRASS  
SCREWLOCKS: ZINC  
INSERTS: ZINC
- SHELL: TIN PLATED  
CONTACTS: SEE TABLE  
EYELETS: TIN PLATED  
SCREWLOCKS: CLEAR CHROMATE  
INSERTS: CLEAR CHROMATE
- GOLD PLATING PER MIL-G-45204, NICKEL PLATING PER QQ-N-290, TIN PER MIL-T-10727.
- GOLD FLASH FOR A DISTANCE OF .100 MIN FROM MATING END, TIN PLATED .000100-.000200 ON OPPOSITE END, ALL OVER .000050 NICKEL.
- .000030 GOLD FOR A DISTANCE OF .100 MIN FROM MATING END, TIN PLATED .000100-.000200 ON OPPOSITE END, ALL OVER .000050 NICKEL.
- .000015 MIN GOLD FOR A DISTANCE OF .100 MIN FROM MATING END, TIN PLATED .000100-.000200 ON OPPOSITE END, ALL OVER .000030 NICKEL.
- SCREWLOCKS REQUIRED FOR 1--5 CONNECTOR ASSEMBLIES WILL BE BULK PACKED & SHIPPED WITH CONNECTORS.



SUPSD BY	TUBE				PART NUMBER
SUPSD BY 745782-2		NONE	GROUNDING STRAPS	5	1-745782-6
OBSOLETE	-	THREADED INSERTS	GROUNDING STRAPS	6	1-745782-5
OBSOLETE	-	FEMALE SCREWLOCKS	CLINCH TABS (SEE DETAIL L)	6	1-745782-4
OBSOLETE	-	FEMALE SCREWLOCKS	CLINCH TABS (SEE DETAIL L)	5	1-745782-3
OBSOLETE	-	THREADED INSERTS	CLINCH TABS (SEE DETAIL L)	6	1-745782-2
SUPSD BY 1-745782-2		THREADED INSERTS	CLINCH TABS (SEE DETAIL L)	5	1-745782-1
OBSOLETE	-	.125 DIA HOLE	CLINCH TABS (SEE DETAIL L)	6	1-745782-0
OBSOLETE	-	.125 DIA HOLE	CLINCH TABS (SEE DETAIL L)	5	745782-9
OBSOLETE	-	NONE	GROUNDING STRAPS	7	745782-8
OBSOLETE	-	FEMALE SCREWLOCKS	GROUNDING STRAPS	7	745782-7
OBSOLETE	-	FEMALE SCREWLOCKS	GROUNDING STRAPS	6	745782-6
SUPSD BY 745782-6		FEMALE SCREWLOCKS	GROUNDING STRAPS	5	745782-5
OBSOLETE	-	THREADED INSERTS	GROUNDING STRAPS	6	745782-4
SUPSD BY 745782-4		THREADED INSERTS	GROUNDING STRAPS	5	745782-3
OBSOLETE	-	NONE	GROUNDING STRAPS	6	745782-2
SUPSD BY 745782-2		TRAYS	GROUNDING STRAPS	5	745782-1
	PACKAGING	MOUNTING HARDWARE	SHELL VERSION	CONTACT FINISH	PART NUMBER

THIS DRAWING IS A CONTROLLED DOCUMENT.

DIMENSIONS: INCHES	TOLERANCES UNLESS OTHERWISE SPECIFIED:	0 PLC ± -	1 PLC ± -	2 PLC ± -	3 PLC ± .005	4 PLC ± -	ANGLES ± -	FINISH
								3

APVD: J. GALLUCCI, R. STONE

DATE: 1-23-91, 4-26-91

tyco Electronics

Tyco Electronics Corporation  
Harrisburg, PA 17105-3608

NAME: RCPT ASSY, SIZE 2, 15 POSN, RTANG, AMPLIMITE HD-20, WITH METAL SHELL, WITH OR WITHOUT SCREWLOCKS OR INSERTS

PRODUCT SPEC: 108-40025

APPLICATION SPEC: 114-40010

SIZE: A1

CAGE CODE: 00779

DRAWING NO: 745782

RESTRICTED TO: -

CUSTOMER DRAWING

SCALE: 4:1

SHEET: 1 OF 1

REV: AA