

Distributed by:

JAMECO[®]
ELECTRONICS

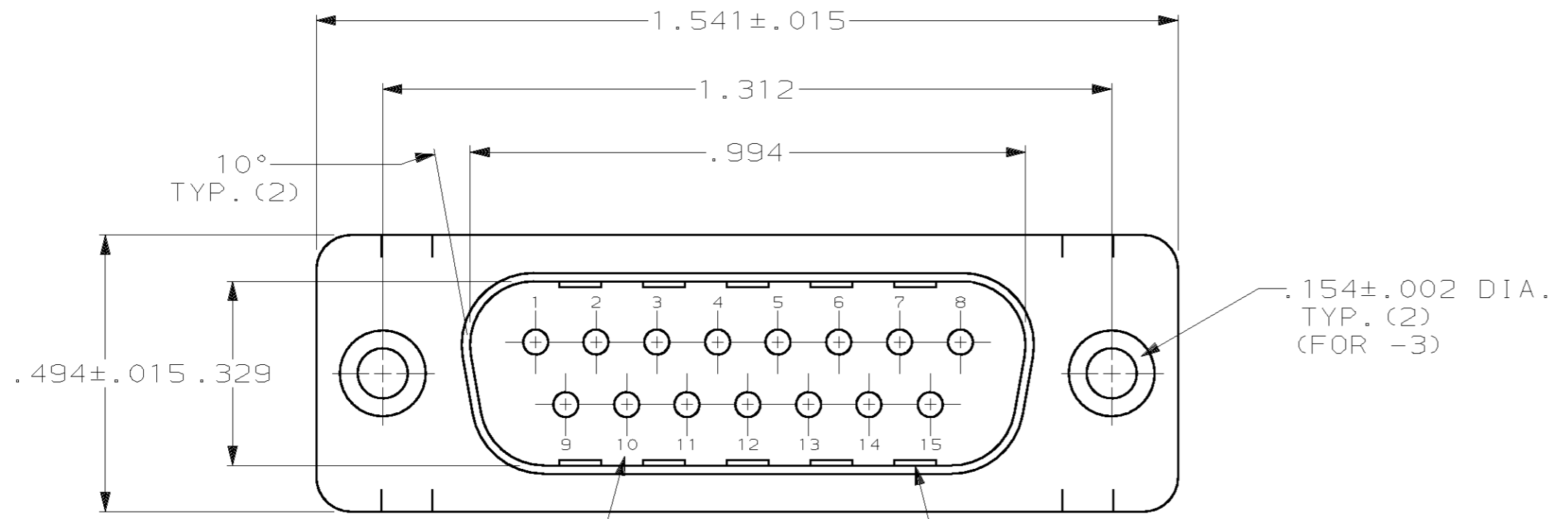
www.Jameco.com ♦ 1-800-831-4242

The content and copyrights of the attached
material are the property of its owner.

Jameco Part Number 862866

THIS DRAWING IS UNPUBLISHED. RELEASED FOR PUBLICATION .19
 (C) COPYRIGHT 19 BY AMP INCORPORATED. ALL RIGHTS RESERVED.

| LOC | | DIST | | REVISIONS | | | |
|-----|-----|-------------|-----------------------------|-----------|------|----|--|
| P | LTR | DESCRIPTION | DATE | DWN | APVD | | |
| GP | 00 | C | REVISED PER EC 0513-0023-03 | 14MAY03 | JG | 5B | |

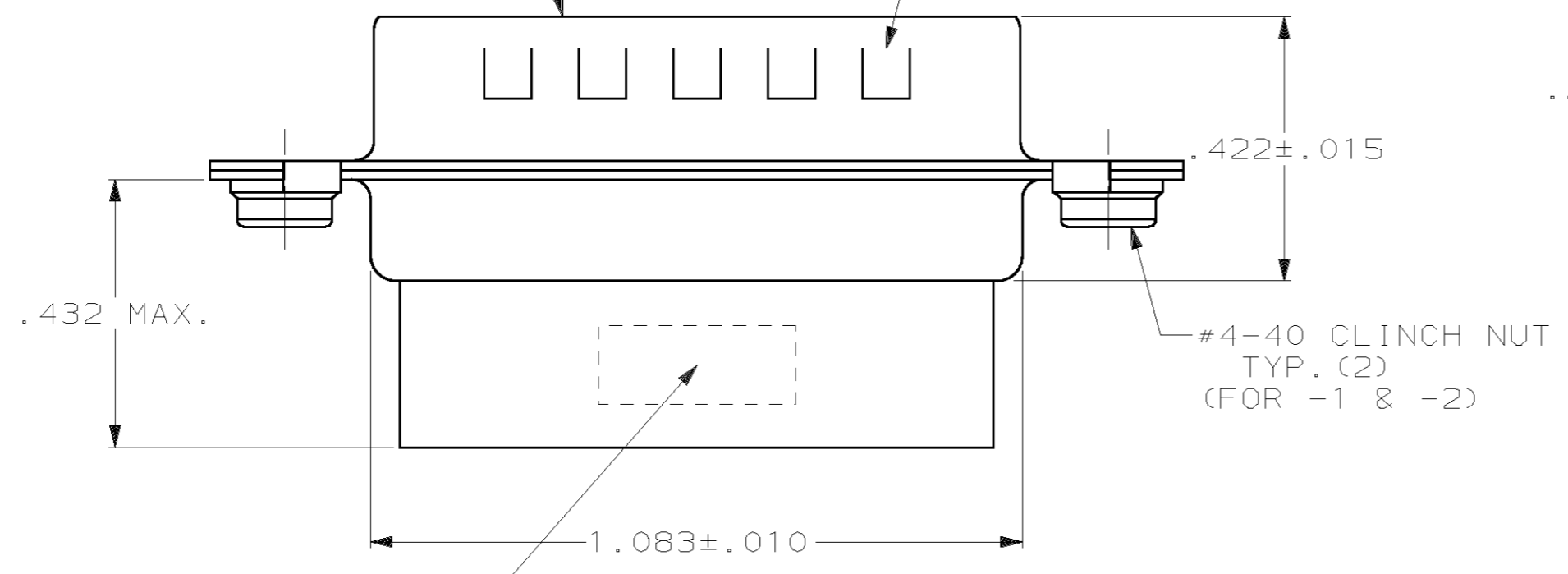


- 1. CONNECTOR ACCEPTS SIZE 20 DF PIN CONTACTS, RETENTION TINES ARE AN INTEGRAL PART OF INSERT.
- 2. CONNECTOR COMPLIES WITH AMP SPEC. 108-40005 WHERE APPLICABLE.
- 3. FLAME RETARDANT 94V-0 RATED THERMOPLASTIC; COLOR: BLACK.
- 4. STEEL PER ASTM A109.
- 5. TIN PLATED PER MIL-T-10727.

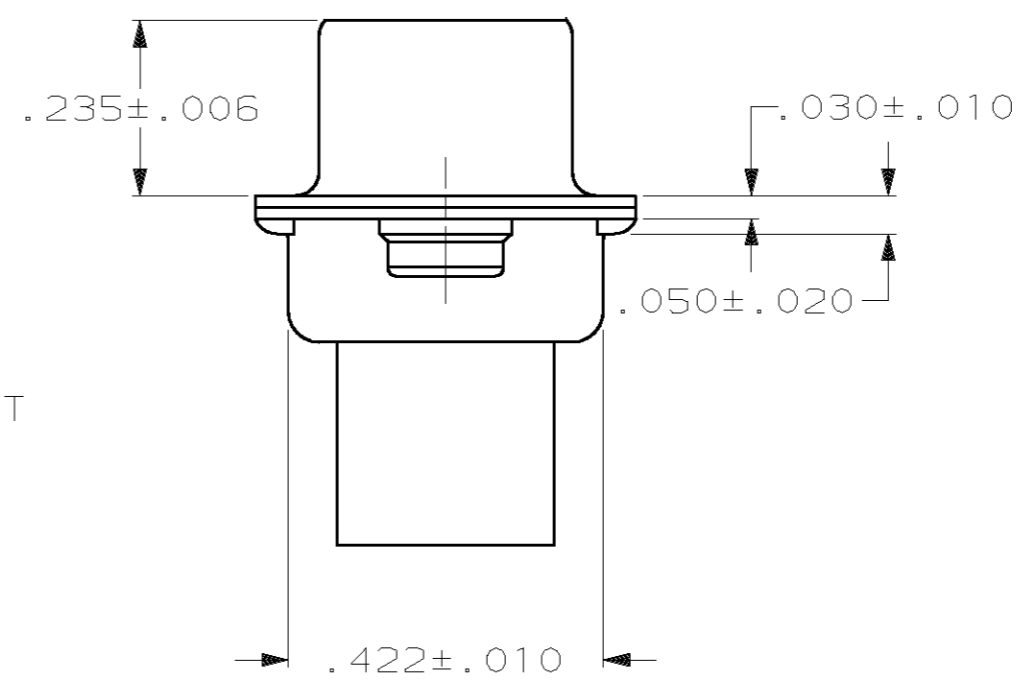
RAISED CAVITY IDENTIFICATION

GROUNDING INDENTS (FOR -2 & -3)

MATING FACE



"AMP", PART NO. & DATE CODE, MARKED IN AREA INDICATED, ON FAR SIDE



| | | | |
|----------|-----|-----|----------|
| OBSOLETE | NO | YES | 745908-3 |
| | YES | YES | 745908-2 |
| OBSOLETE | YES | NO | 745908-1 |

| | | |
|-------------|-------------------|-------------|
| CLINCH NUTS | GROUNDING INDENTS | PART NUMBER |
|-------------|-------------------|-------------|

| | | | | | |
|---|--|------------------|------------|-----------|--|
| THIS DRAWING IS A CONTROLLED DOCUMENT. | | DWN | J.GERACE | 09 JUL 82 | AMP Incorporated Harrisburg, PA 17105-3608 |
| DIMENSIONS: mm (INCHES) | | CHK | J.FULPONI | 03 AUG 82 | |
| TOLERANCES UNLESS OTHERWISE SPECIFIED: 0 PLC ± 1 PLC ± 2 PLC ± 3 PLC ±.005 4 PLC ± ANGLES ±2° | | APVD | E.GILL | 04 AUG 82 | |
| MATERIAL MOLDED PARTS: 3 SHELLS: 4 | | PRODUCT SPEC | NAME | | |
| | | FINISH | SHELLS: 5 | | PLUG CONNECTOR, SIZE 2, 15 POS, W/CLINCH NUTS, AMPLIMITE HDP |
| | | WEIGHT | SIZE | | A2 |
| | | CUSTOMER DRAWING | CAGE CODE | | 00779 |
| | | | DRAWING NO | | C-745908 |
| | | | SCALE | | 4:1 |
| | | | SHEET | | 1 OF 1 |
| | | | REV | | C |

745908