

Distributed by:

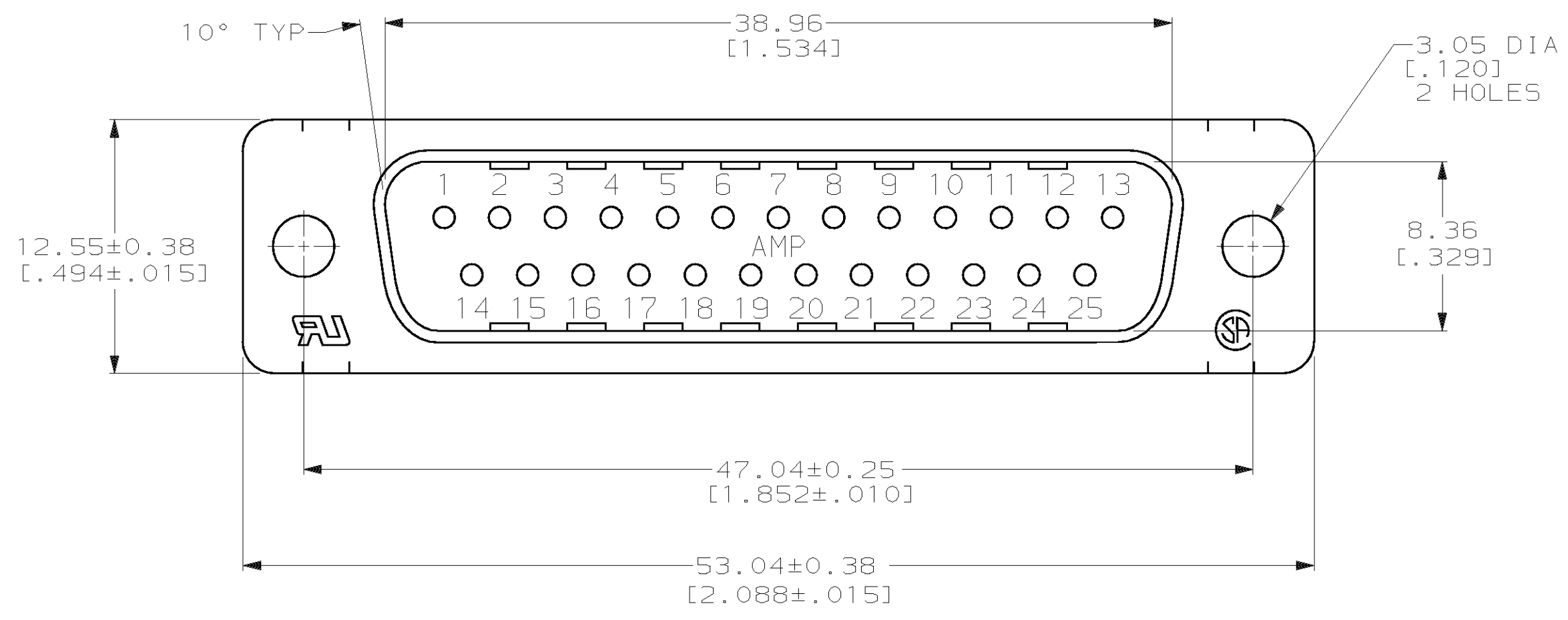
JAMECO[®]
ELECTRONICS

www.Jameco.com ♦ 1-800-831-4242

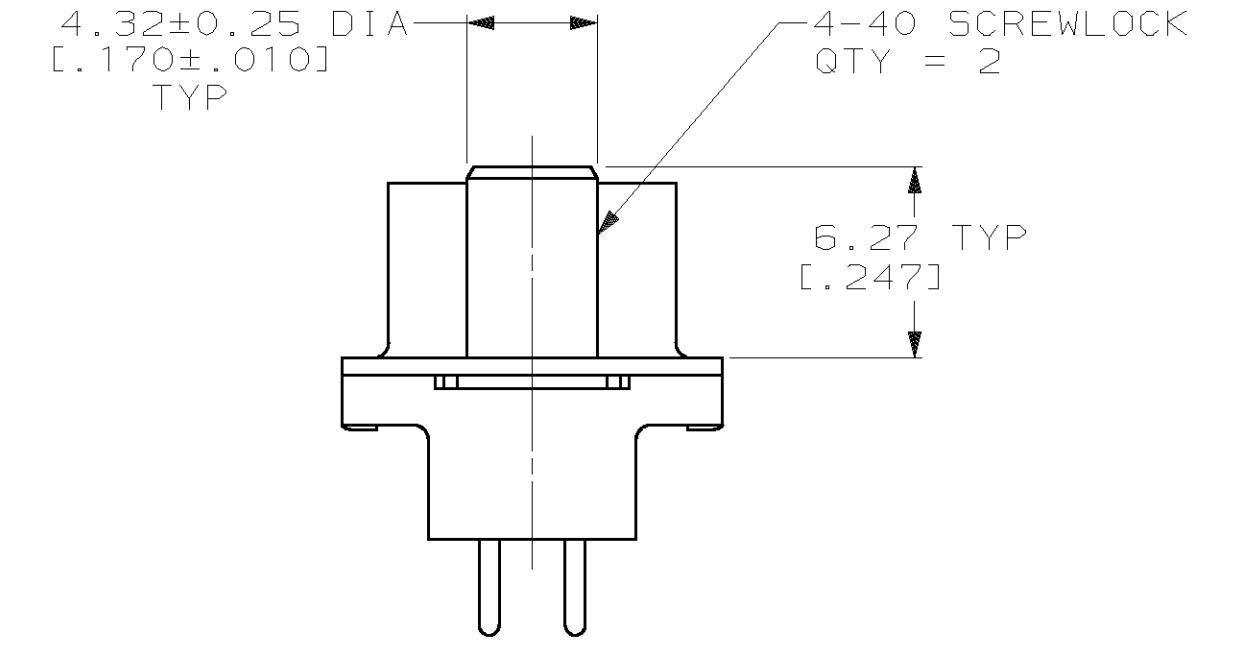
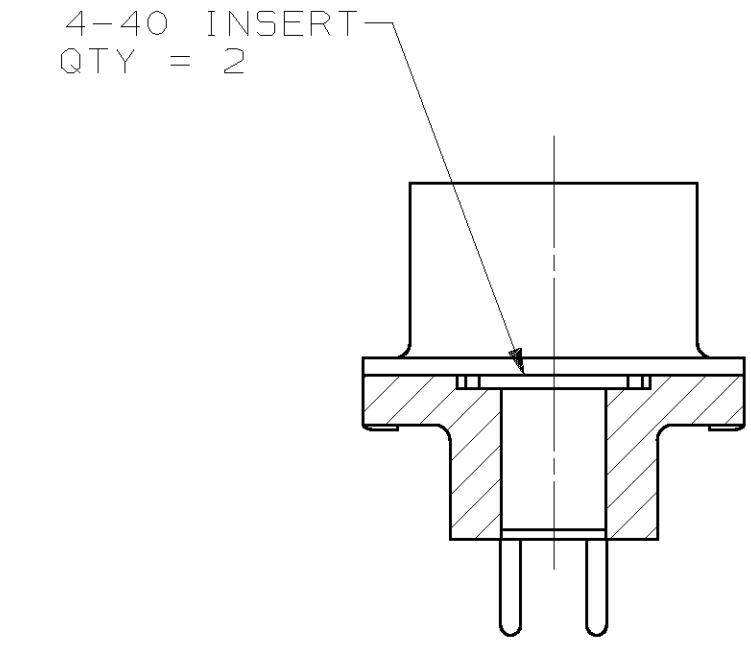
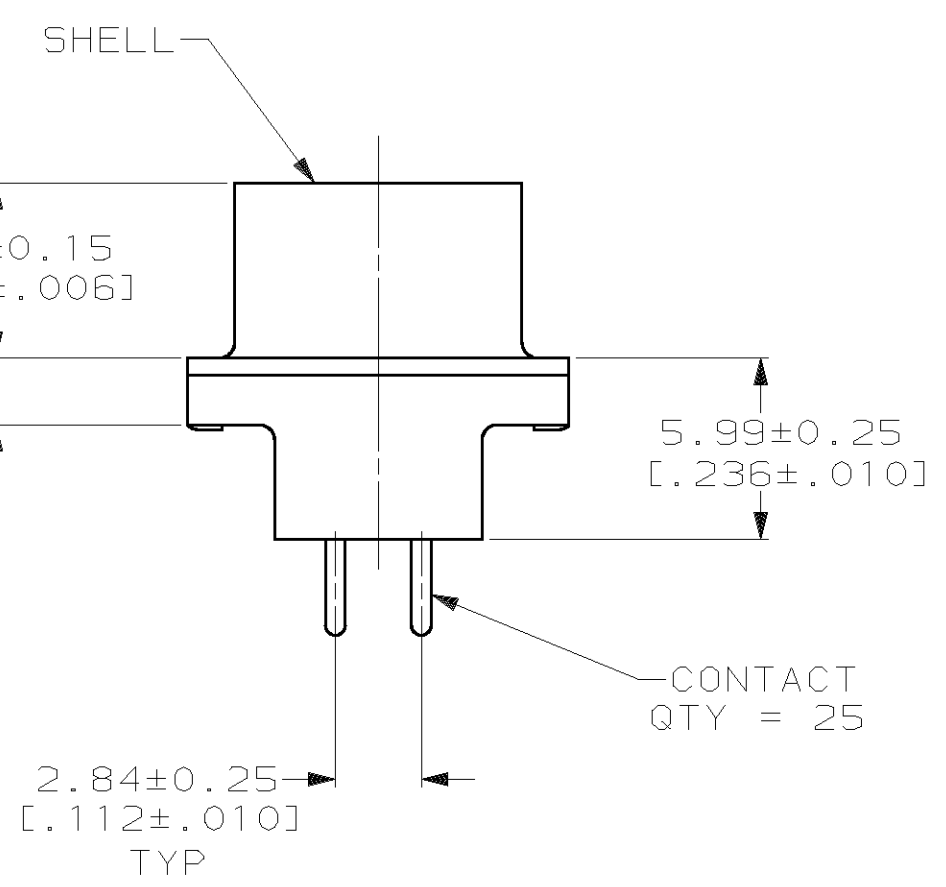
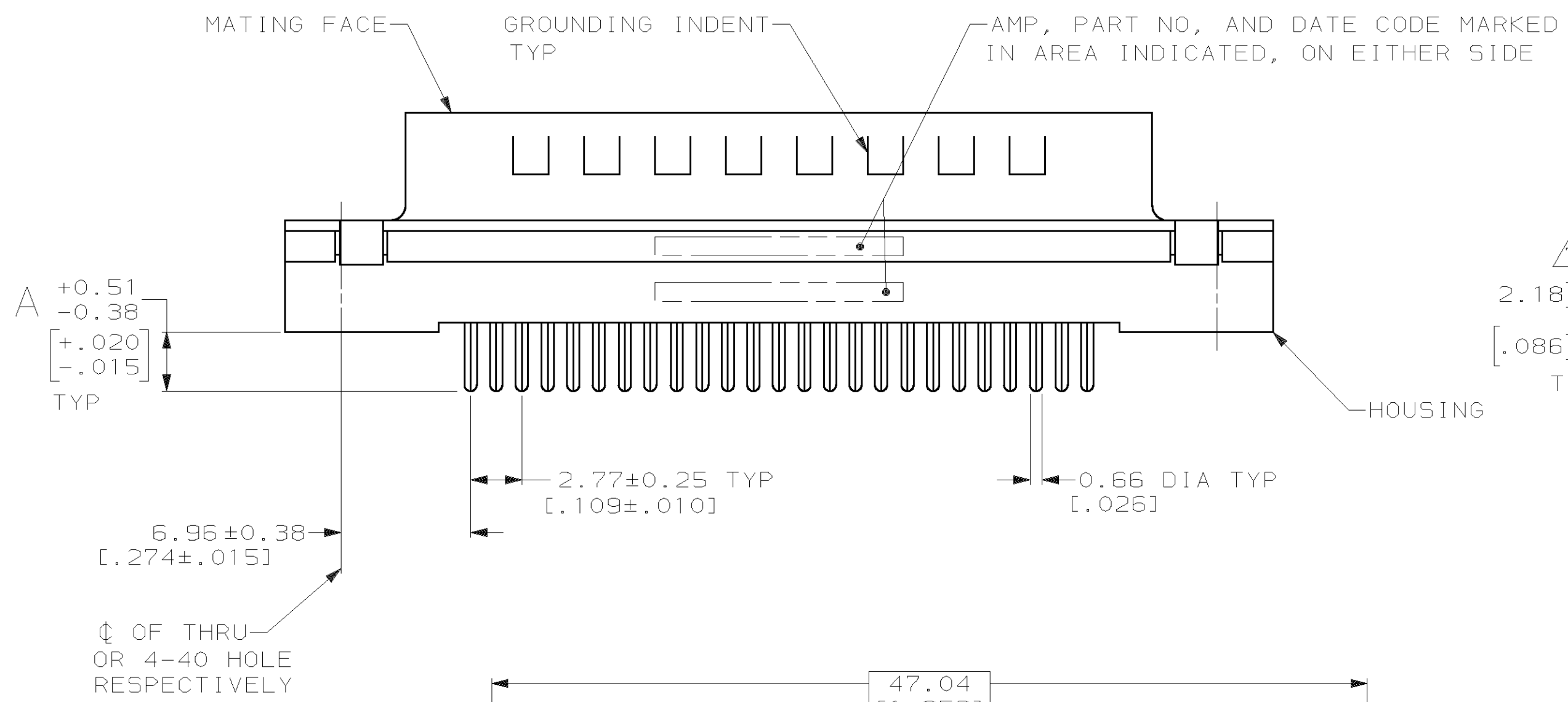
The content and copyrights of the attached
material are the property of its owner.

Jameco Part Number 758209

LOC		DIST		REVISEMENTS		DATE	APPD
GP	00	P	F	ZONE	LTR	DESCRIPTION	
				L		REVISED PER EC 0513-0460-02	07MAR03 JG

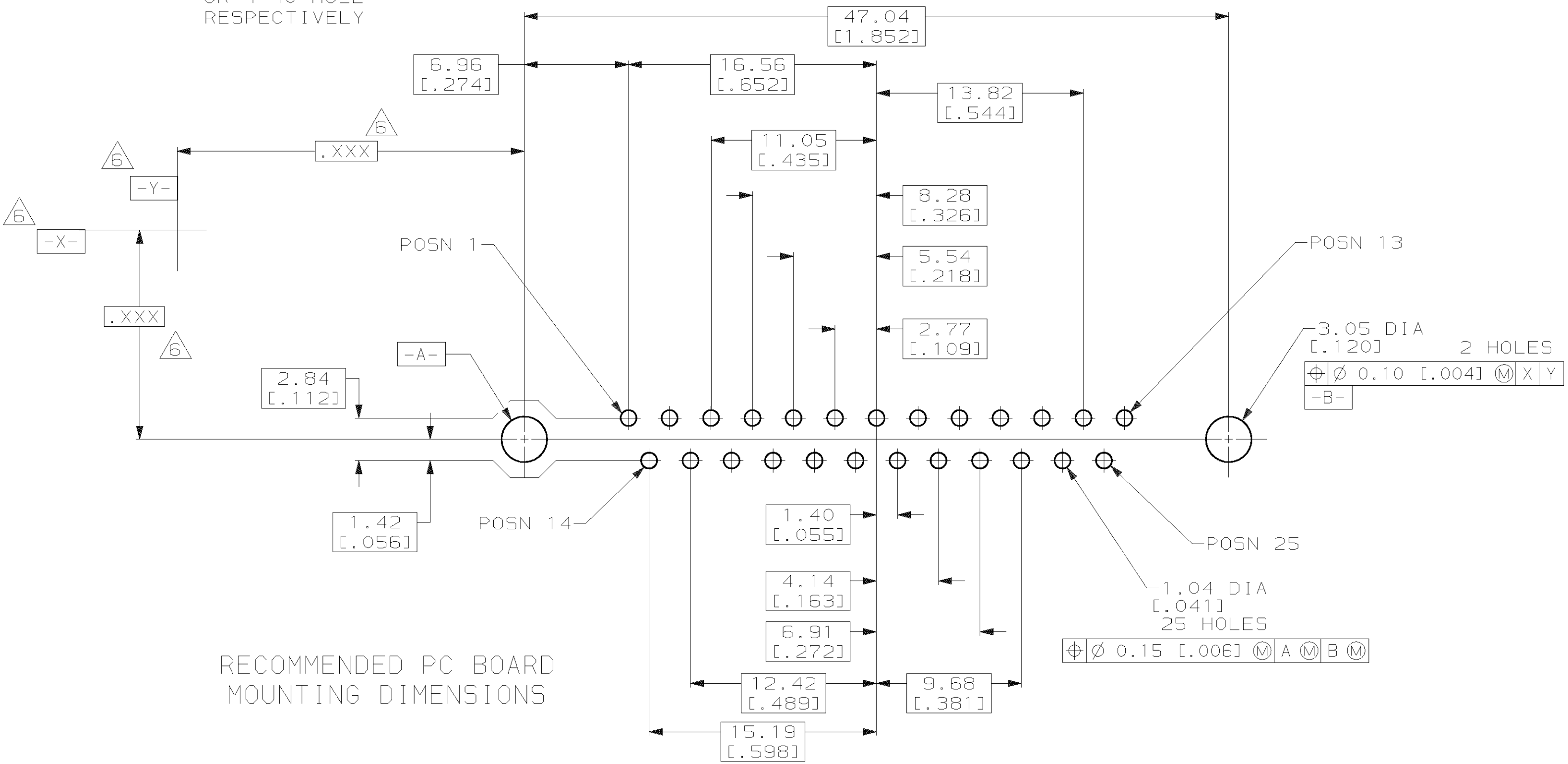


- ① HOUSING: BLACK POLYESTER, UL 94V-0 RATED; CONTACT: BRASS PER MIL-C-50, SHELL: CARBON STEEL PER ASTM A109; SCREWLOCK: ZINC; INSERT: BRASS.
- ② GOLD PLATING PER MIL-G-45204, TIN PLATING PER MIL-T-10727, NICKEL PLATING PER QQ-N-290, COPPER PLATING PER MIL-C-14550.
- ③ GOLD PLATED FOR A LENGTH OF 3.81 [0.150] MIN FROM MATING END, GOLD FLASH IN MATED AREA, 2.54µm [0.000100] MIN TIN OR TIN-LEAD FOR A LENGTH OF DIMENSION A FROM OPPOSITE END, ALL OVER 1.27µm [0.00050] MIN NICKEL.
- ④ GOLD PLATED FOR A LENGTH OF 3.81 [0.150] FROM MATING END, 0.76µm [0.00030] MIN GOLD IN MATED AREA, 2.54µm [0.000100] MIN TIN OR TIN-LEAD FOR A LENGTH OF DIMENSION A FROM OPPOSITE END, ALL OVER 1.27µm [0.00050] MIN NICKEL.
- ⑤ 5.08µm [0.000200] MIN TIN OVER 1.27µm [0.00050] MIN COPPER.
- ⑥ DATUMS AND BASIC DIMENSIONS ESTABLISHED BY CUSTOMER.
- ⑦ 2.79 [0.110] MAX IN SHELL TAB CLINCH AREAS.



DETAIL D

DETAIL E



REV	DATE	DESCRIPTION	BY	CHK
OBSOLETE	6.35 [0.250]	4-40 SCREWLOCK (DETAIL E)	④	1-745968-8
	6.35 [0.250]	4-40 SCREWLOCK (DETAIL E)	③	1-745968-7
	4.32 [0.170]	4-40 SCREWLOCK (DETAIL E)	④	1-745968-6
	4.32 [0.170]	4-40 SCREWLOCK (DETAIL E)	③	1-745968-5
	3.18 [0.125]	4-40 SCREWLOCK (DETAIL E)	④	1-745968-4
	3.18 [0.125]	4-40 SCREWLOCK (DETAIL E)	③	1-745968-3
OBSOLETE	6.35 [0.250]	4-40 INSERT (DETAIL D)	④	1-745968-2
	6.35 [0.250]	4-40 INSERT (DETAIL D)	③	1-745968-1
	4.32 [0.170]	4-40 INSERT (DETAIL D)	④	1-745968-0
	4.32 [0.170]	4-40 INSERT (DETAIL D)	③	745968-9
	3.18 [0.125]	4-40 INSERT (DETAIL D)	④	745968-8
	3.18 [0.125]	4-40 INSERT (DETAIL D)	③	745968-7
OBSOLETE	6.35 [0.250]	-	④	745968-6
	6.35 [0.250]	-	③	745968-5
	4.32 [0.170]	-	④	745968-4
SUPERSEDED BY 745968-4	4.32 [0.170]	-	③	745968-3
	3.18 [0.125]	-	④	745968-2
SUPERSEDED BY 745968-2	3.18 [0.125]	-	③	745968-1

MATERIAL		FINISH		CONTACT		SHELL	
①		②		③		④	
DO NOT SCALE PRINT. UNLESS SPECIFIED DIMENSIONS IN mm [INCHES] TOLERANCES ON: 2 PLC DEC ± 0.13 [0.005] 3 PLC DEC ± - ANGLES ± 2°		DR 12/01/89 J. McCLINTON CHK 02/01/90 R. STONE		AMPD 02/02/90 S. SCHIEFERLY		AMPD 02/02/90 C. RÖHDE	
MOUNTING HARDWARE		CONTACT FINISH		PART NO		NAME	
AMP INCORPORATED Harrisburg, Pa. 17105		AMP INCORPORATED Harrisburg, Pa. 17105		AMP INCORPORATED Harrisburg, Pa. 17105		AMP INCORPORATED Harrisburg, Pa. 17105	
PLUG ASSEMBLY, SIZE 3, 25 POSITION, VERTICAL, FRONT METAL SHELL, AMPLIMITE® HD-20		108-40025		114-40023		108-40025	
SIZE D		CAGE CODE 00779		DRAWING NO 745968		SCALE 4:1	
WEIGHT		SHEET 1 OF 1		SHEET 1 OF 1		SHEET 1 OF 1	