

Distributed by:

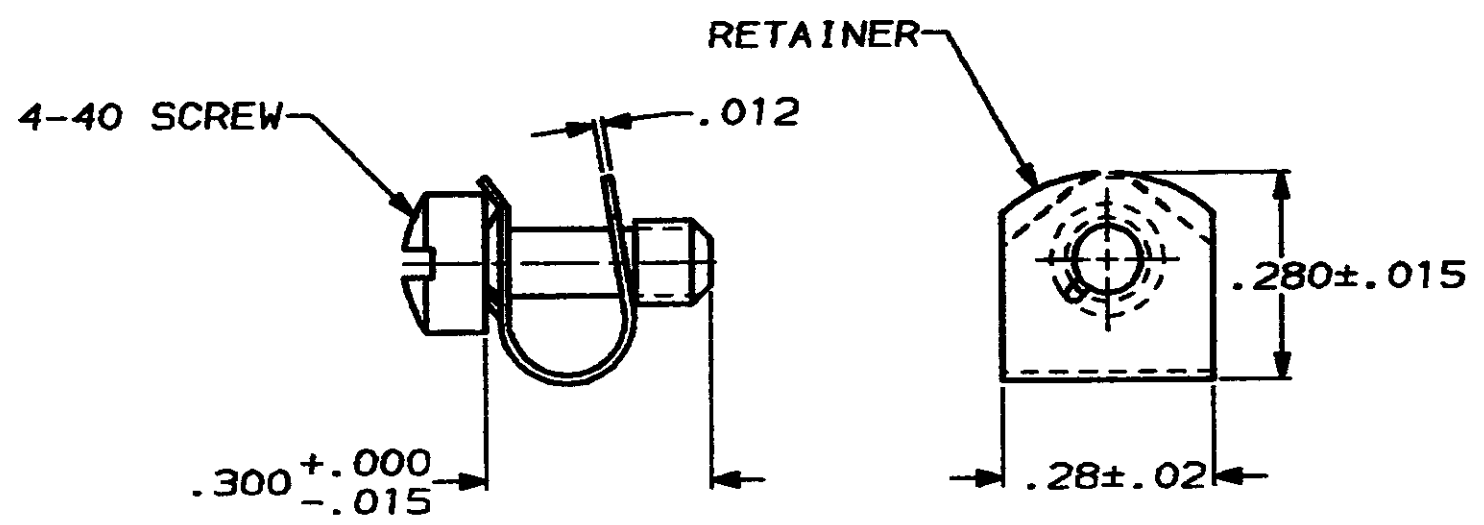
JAMECO[®]
ELECTRONICS

www.Jameco.com ♦ 1-800-831-4242

The content and copyrights of the attached
material are the property of its owner.

Jameco Part Number 614184

REVISIONS						
P	F	ZONE	LTR	DESCRIPTION	DATE	APPROVED
			0	RELEASED		
			A	REVISED ECN-BD2475	11-18-88	JS
✓	✓		B	REV PER ECN BD4276	12/10/90	-



- 1. PARTS PACKAGED UNASSEMBLED.
- ② CARBON STEEL.
- ③ ZINC PLATED PER ASTM B633, TYPE III, CLASS SC1, CLEAR CHROMATE.
- ④ STAINLESS STEEL PER ASTM A666.

PARTS INDIVIDUALLY BULK PACKED & SHIPPED AS A UNIT PACKAGE	746881-2
2 EACH PACKAGED AS A UNIT KIT	746881-1

REMARKS		PART NO
UNLESS OTHERWISE SPECIFIED DIMENSIONS ARE IN INCHES. TOLERANCES ON: DECIMALS ± .005 ANGLES ± _____		
MATERIAL SCREW: ②	CONTRACT NO OR W.ZELKO 4-11-85	AMP INCORPORATED Harrisburg, Pa.
RETAINER: ④	CHK J.PEACHY 5-7-85	
FINISH SCREW: ③	APPD S.GOOD 5-6-85	NAME KIT, SCREW RETAINER LOW PROFILE HDF, AMPLIMITE®
	APPD D.HOFFMAN 5-8-85	
	DSGN APPD	SIZE B
	OTHER APPD	FSCN NO 00779
		DRAWING NO 746881
		SCALE NTS
		SHEET 1 of 1

CUSTOMER DRAWING