

Distributed by:

**JAMECO**<sup>®</sup>  
ELECTRONICS

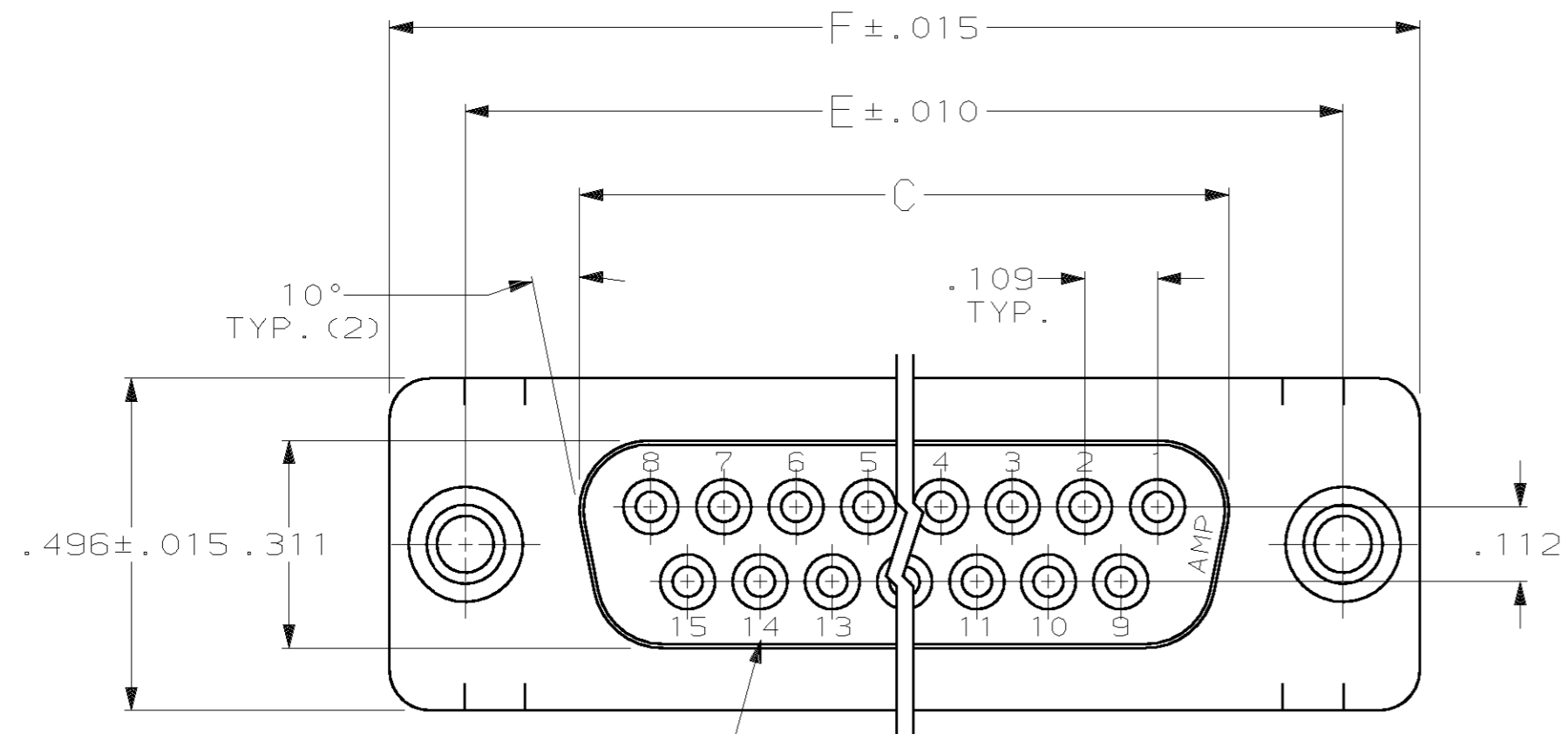
**www.Jameco.com ♦ 1-800-831-4242**

The content and copyrights of the attached  
material are the property of its owner.

Jameco Part Number 525499

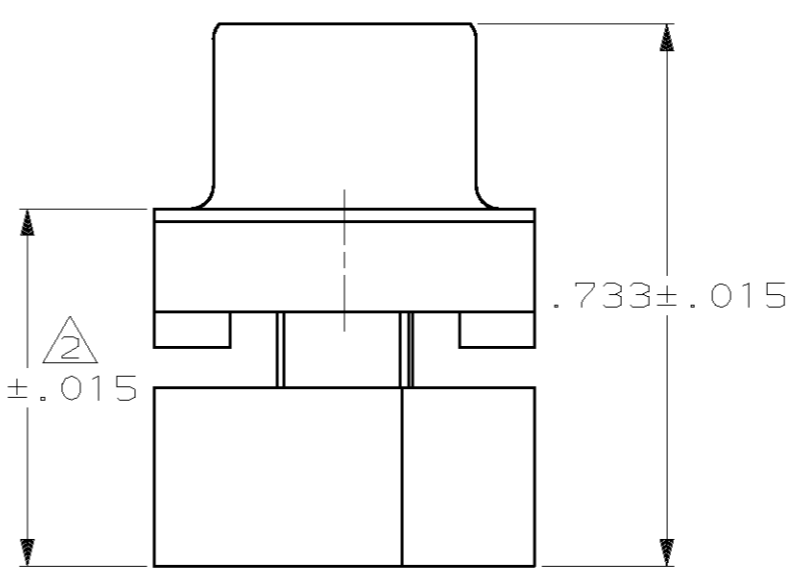
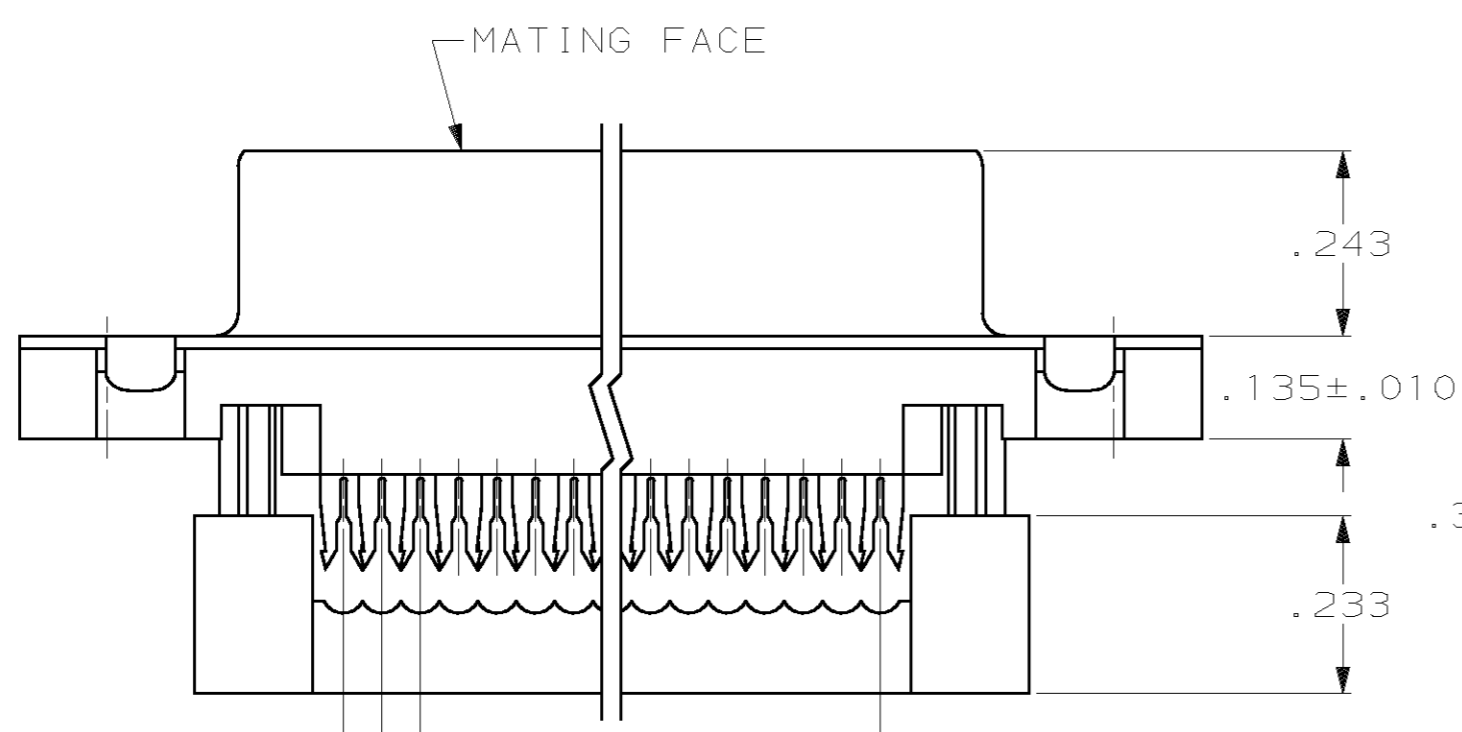
THIS DRAWING IS UNPUBLISHED. RELEASED FOR PUBLICATION .19  
 (C) COPYRIGHT 19 BY AMP INCORPORATED. ALL RIGHTS RESERVED.

LOC		DIST		REVISIONS			
P	LTR	DESCRIPTION	DATE	DWN	APVD		
AG	0	F	REVISD PER EC 051C-0006-00	13 MAR 00	AH	CC	

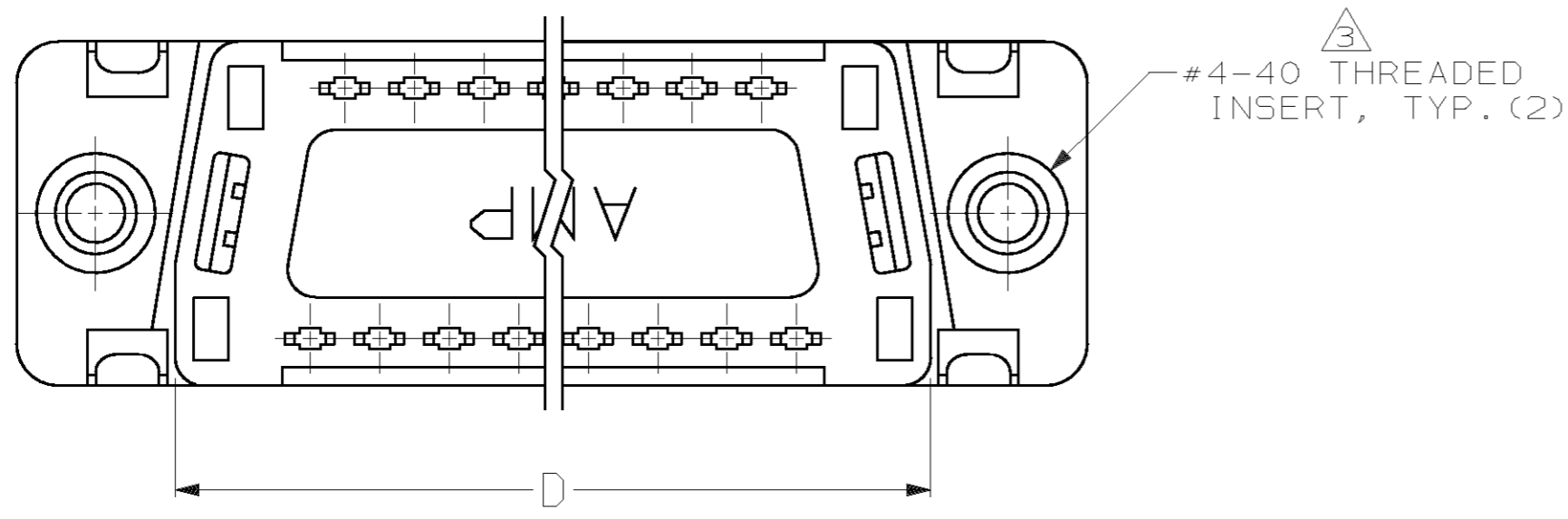


DEPRESSED CAVITY IDENTIFICATION (15 POSITION SHOWN)

- CONNECTOR DESIGNED FOR 28 AND 26 AWG STRANDED AND SOLID CONDUCTOR RIBBON CABLE ON .050Ø.
- DIMENSION APPLIES TO TERMINATED CONNECTOR.
- INSERTS WILL WITHSTAND 6 IN LBS TORQUE AND 50 LBS PULL OUT FORCE FROM MATING FACE SIDE.
- HOUSING: THERMOPLASTIC, 94V-0 RATED, FLAME RETARDANT, COLOR: SEE TABLE. COVER: THERMOPLASTIC, 94V-0 RATED, FLAME RETARDANT, COLOR: BLACK. SHELL: STEEL PER QQ-5-698. CONTACTS: PHOSPHOR BRONZE PER QQ-B-750. INSERTS: BRASS PER MIL-C-50.
- GOLD PLATING PER MIL-G-45204, BRIGHT TIN PLATING PER MIL-T-10727, TIN-LEAD PLATING PER MIL-P-81728, NICKEL PLATING PER QQ-N-290.
- SHELL: BRIGHT TIN PLATED. CONTACTS: .000030 MIN GOLD IN LOCALIZED GOLD PLATE AREA, .000100-.000200 TIN-LEAD ON TERMINATION END, ALL OVER .000050 MIN NICKEL ON ENTIRE CONTACT.
- COLOR - C99 PANTONE 131C, GOLD.



.050 REF. →  
 .100 REF. →  
 → A SPACES AT .050 = B ←



OBSOLETE	1.541	1.312	1.087	.971	.700	14	7	15	747052-6
	1.764	1.526	1.287	1.140	.900	18	BLACK	19	747052-5
	1.216	.984	.759	.643	.400	8	BLACK	9	747052-4
	1.541	1.312	1.087	.971	.700	14	BLACK	15	747052-3
	2.090	1.852	1.623	1.511	1.200	24	BLACK	25	747052-2
	2.732	2.500	2.275	2.159	1.800	36	BLACK	37	747052-1

F	E	D	C	B	A	HOUSING COLOR	NO OF POSN	PART NUMBER

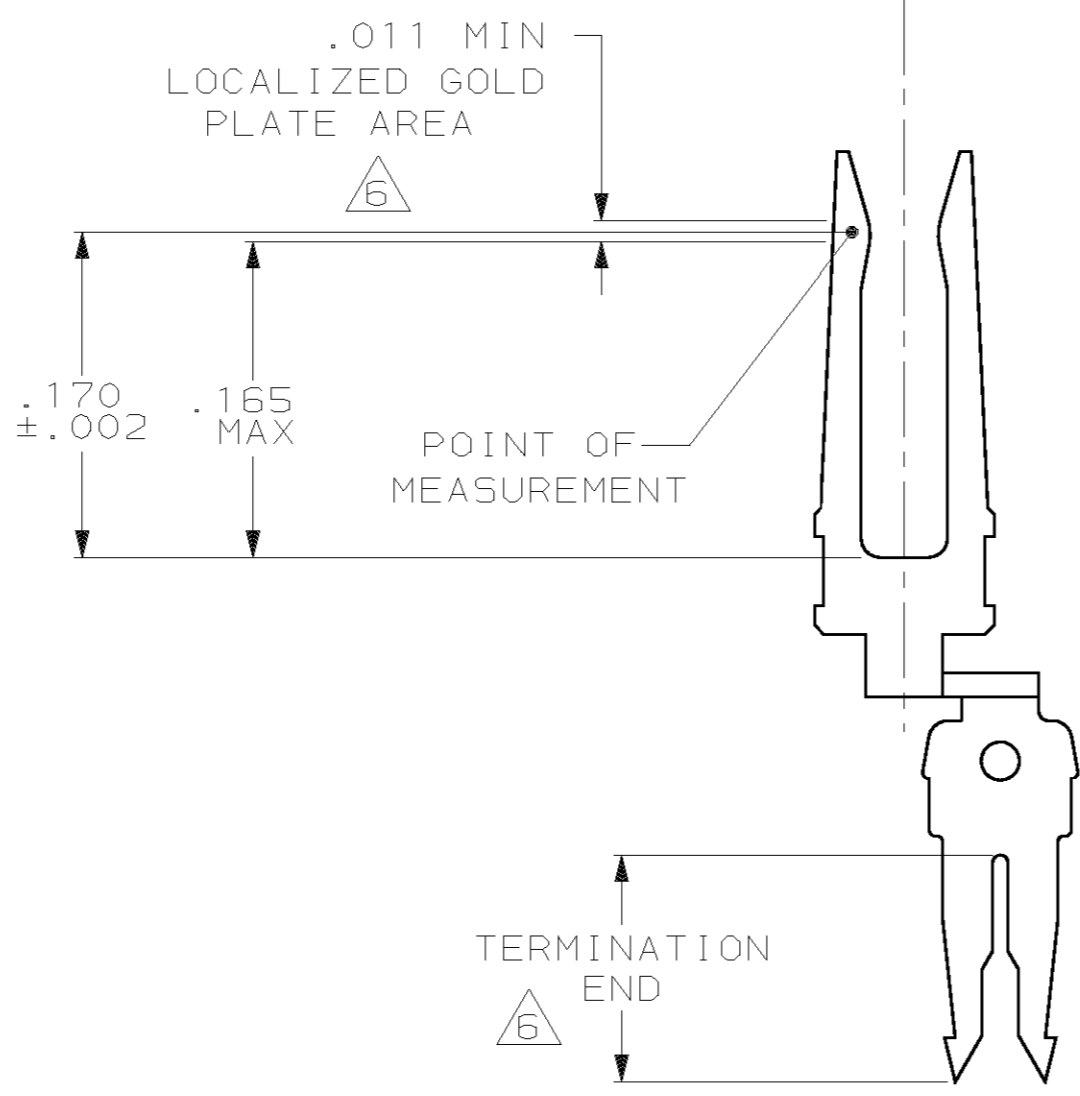
  

<small>THIS DRAWING IS A CONTROLLED DOCUMENT FOR AMP INCORPORATED. IT IS SUBJECT TO CHANGE AND THE CONTROLLING ENGINEERING ORGANIZATION SHOULD BE CONTACTED FOR THE LATEST REVISION.</small>		DWN	J.GERACE	11/01/82
DIMENSIONS: INCHES 		CHK	R.LEGGETT	11/05/82
TOLERANCES UNLESS OTHERWISE SPECIFIED: 0 PLC ± 1 PLC ± 2 PLC ± 3 PLC ±.005 4 PLC ± ANGLES ±2° FINISH		APVD	E.GILL	11/08/82
MATERIAL	4	PRODUCT SPEC: 108-40012 APPLICATION SPEC: - WEIGHT: - CUSTOMER DRAWING		
AMP Incorporated Harrisburg, PA 17105-3608		NAME: RCPT ASSY, FRONT METAL SHELL, W/PREASSEMBLED COVER & THREADED INSERTS, LOW PROFILE HDF		
SCALE: 4:1		SIZE	A2	CAGE CODE
SHEET 1 OF 2		DRAWING NO	C-747052	REV
REV F				

747052

THIS DRAWING IS UNPUBLISHED. RELEASED FOR PUBLICATION .19  
 © COPYRIGHT 19 BY AMP INCORPORATED. ALL RIGHTS RESERVED.

LOC		DIST		REVISIONS			
P	LTR	DESCRIPTION	DATE	DWN	APVD		
AG	0	F	SEE SHEET 1	-	-		



CONTACT DETAIL  
SCALE 10:1

<small>THIS DRAWING IS A CONTROLLED DOCUMENT FOR AMP INCORPORATED. IT IS SUBJECT TO CHANGE AND THE CONTROLLING ENGINEERING ORGANIZATION SHOULD BE CONTACTED FOR THE LATEST REVISION.</small>		DWN M.EPLER 11/03/87 CHK W.G.LENKER 11/03/87 APVD W.G.LENKER 11/03/87	<b>AMP</b> AMP Incorporated Harrisburg, PA 17105-3608
DIMENSIONS: INCHES	TOLERANCES UNLESS OTHERWISE SPECIFIED: 0 PLC ±- 1 PLC ±- 2 PLC ±- 3 PLC ±.005 4 PLC ±- ANGLES ±2° FINISH	PRODUCT SPEC 108-40012 APPLICATION SPEC - WEIGHT -	NAME RCPT ASSY, FRONT METAL SHELL, W/PREASSEMBLED COVER & THREADED INSERTS, LOW PROFILE HDF SIZE A2 CAGE CODE 00779 DRAWING NO. C-747052
MATERIAL			SCALE 4:1 SHEET 2 OF 2 REV F CUSTOMER DRAWING

747052