

Distributed by:

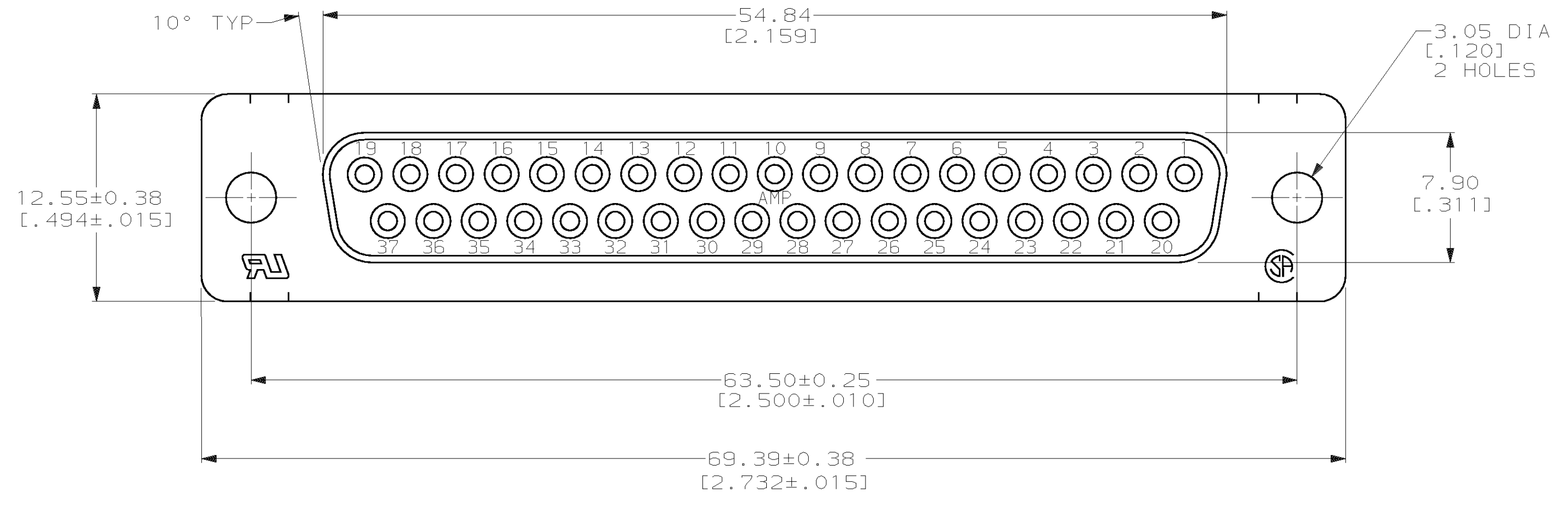
JAMECO[®]
ELECTRONICS

www.Jameco.com ♦ 1-800-831-4242

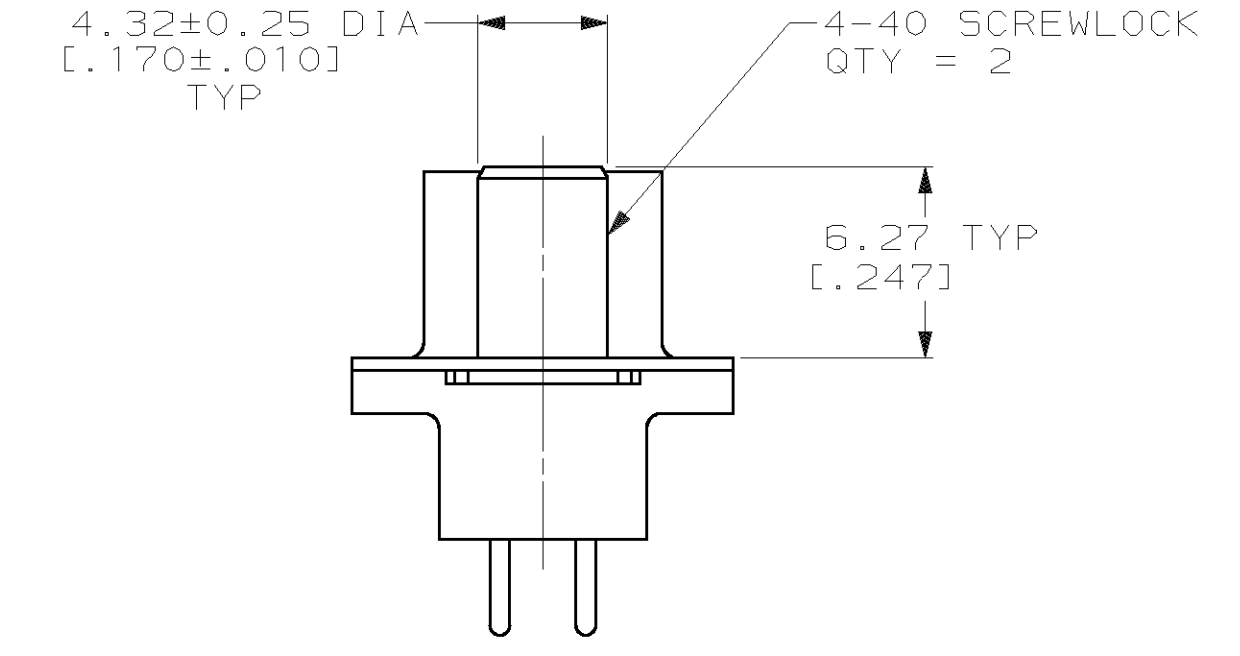
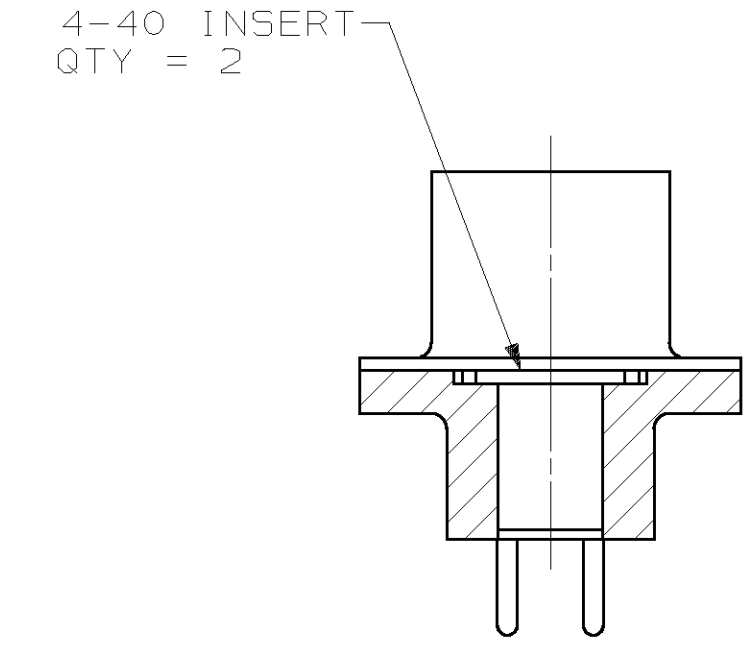
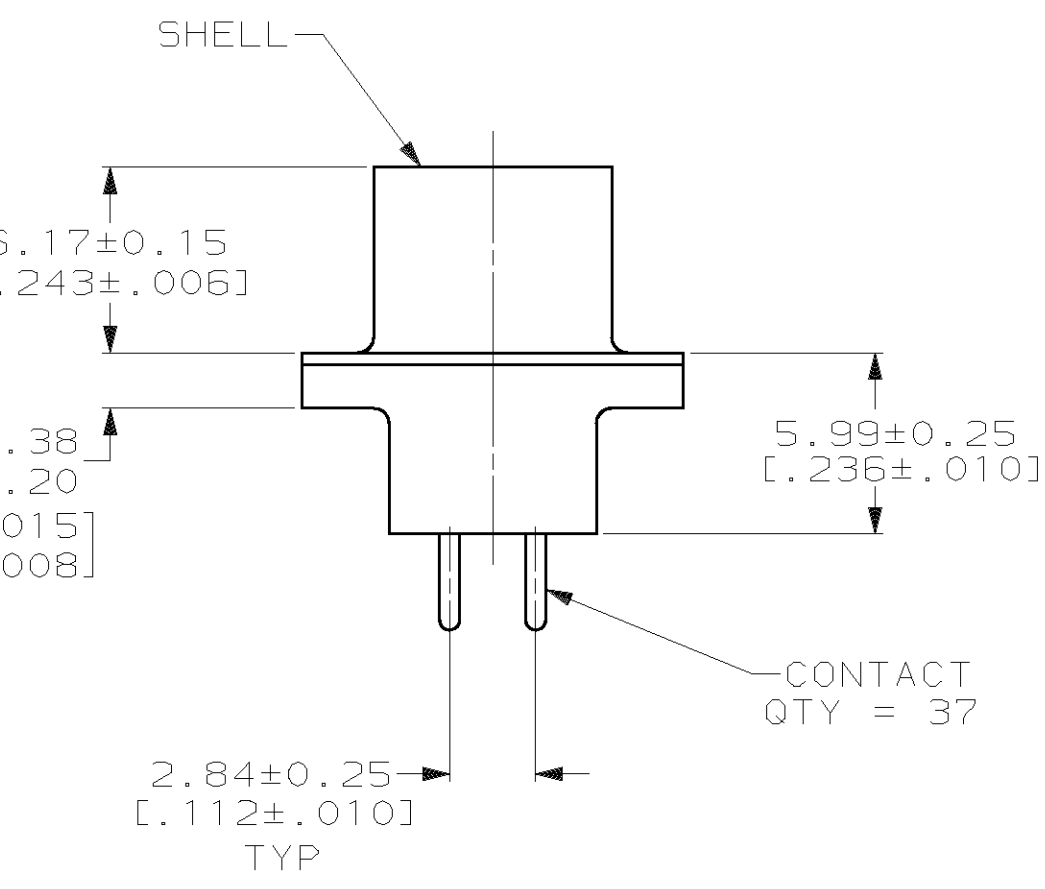
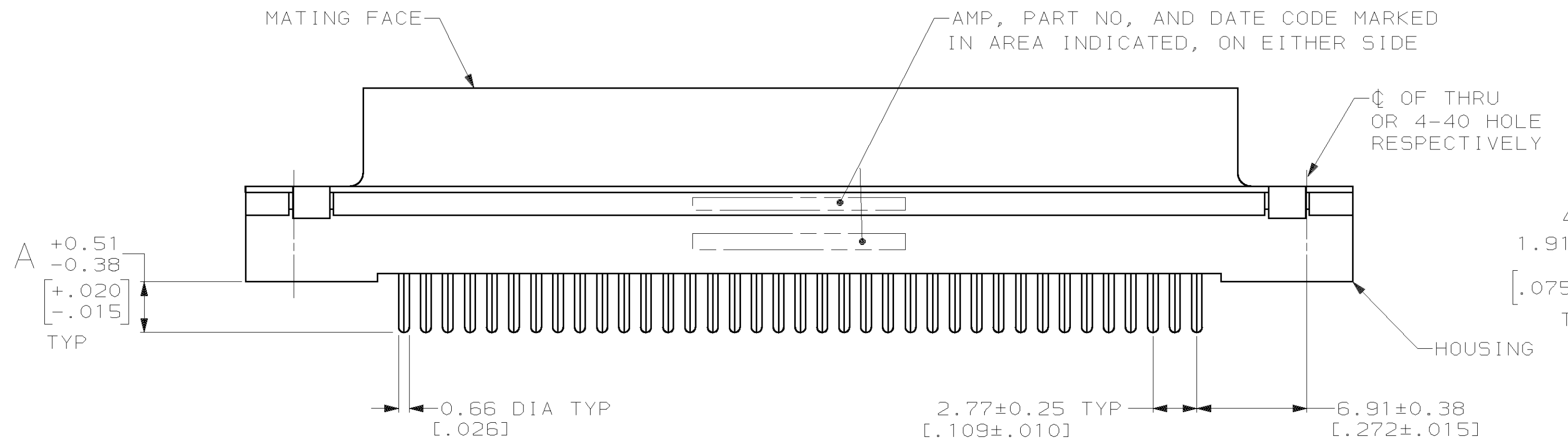
The content and copyrights of the attached
material are the property of its owner.

Jameco Part Number 863594

LOC		DIST		P		ZONE		LTR		REVISIONS			
GP	00									DESCRIPTION	DATE	APPD	
										K	REVISED PER EC 0513-0460-02	07MAR03	JG

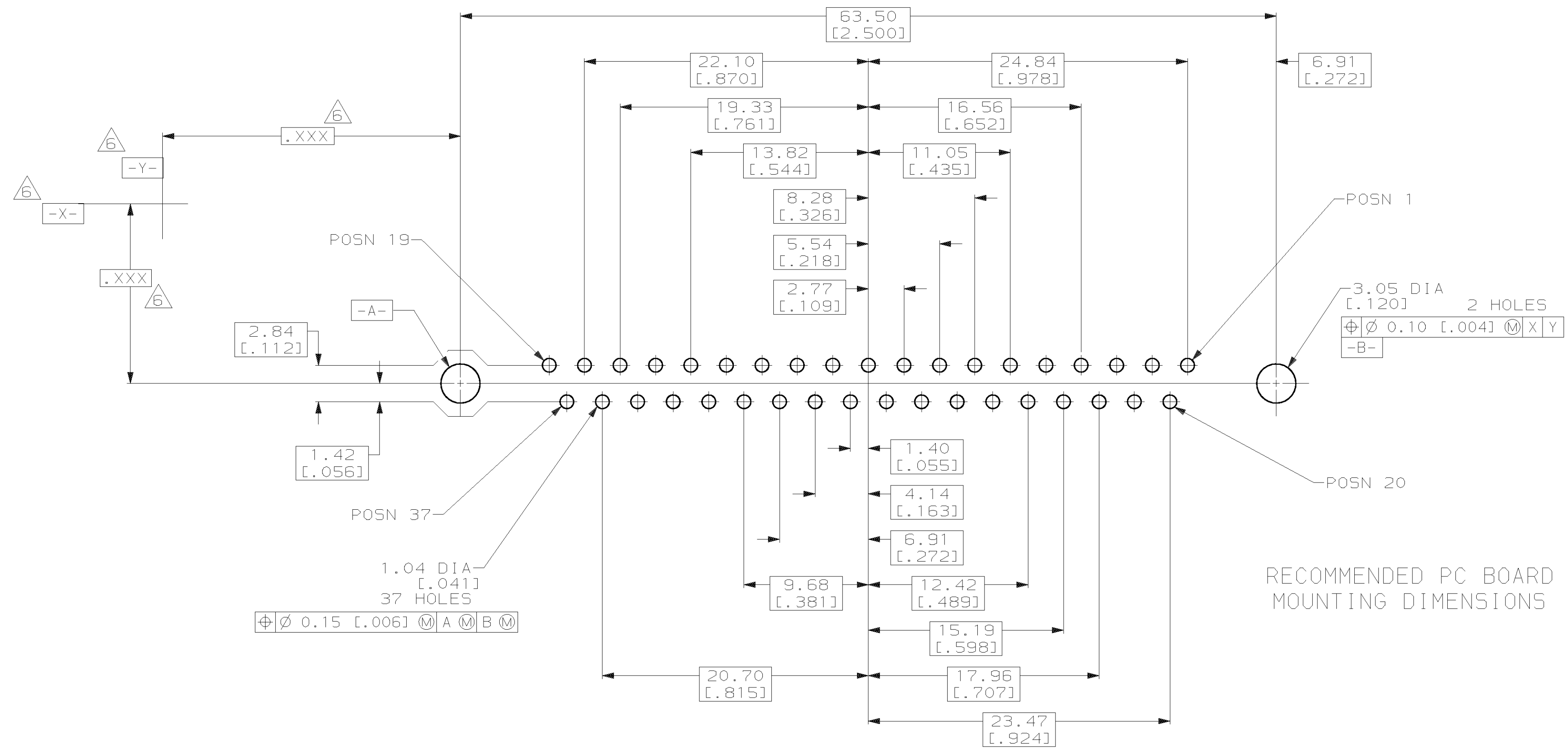


- 1 HOUSING; BLACK POLYESTER, UL 94V-0 RATED; CONTACT: PHOSPHOR BRONZE PER QQ-B-750; SHELL: CARBON STEEL PER ASTM A109; SCREWLOCK: ZINC; INSERT: BRASS.
- 2 GOLD PLATING PER MIL-G-45204, TIN PLATING PER MIL-T-10727, NICKEL PLATING PER QQ-N-290, COPPER PLATING PER MIL-C-14550.
- 3 GOLD FLASH FOR A LENGTH OF 2.54[.100] MIN FROM MATING END, 2.54µm[.000100] MIN TIN OR TIN-LEAD FOR A LENGTH OF DIMENSION A FROM OPPOSITE END, BOTH OVER 1.27µm[.000050] MIN NICKEL.
- 4 0.76µm[.000030] MIN GOLD FOR A LENGTH OF 2.54[.100] MIN FROM MATING END, 2.54µm[.000100] MIN TIN OR TIN-LEAD FOR A LENGTH OF DIMENSION A FROM OPPOSITE END, BOTH OVER 1.27µm[.000050] MIN NICKEL.
- 5 5.08µm[.000200] MIN TIN OVER 1.27µm[.000050] MIN COPPER.
- 6 DATUMS AND BASIC DIMENSIONS ESTABLISHED BY CUSTOMERS.
- 7 2.79[.110] MAX IN SHELL TAB CLINCH AREAS.



DETAIL D

DETAIL E



REV	DESCRIPTION	DATE	APPD
OBsolete	6.35 [0.250] 4-40 SCREWLOCK (DETAIL E)		1-747301-8
OBsolete	6.35 [0.250] 4-40 SCREWLOCK (DETAIL E)		1-747301-7
	4.32 [0.170] 4-40 SCREWLOCK (DETAIL E)		1-747301-6
OBsolete	4.32 [0.170] 4-40 SCREWLOCK (DETAIL E)		1-747301-5
	3.18 [0.125] 4-40 SCREWLOCK (DETAIL E)		1-747301-4
OBsolete	3.18 [0.125] 4-40 SCREWLOCK (DETAIL E)		1-747301-3
OBsolete	6.35 [0.250] 4-40 INSERT (DETAIL D)		1-747301-2
OBsolete	6.35 [0.250] 4-40 INSERT (DETAIL D)		1-747301-1
OBsolete	4.32 [0.170] 4-40 INSERT (DETAIL D)		1-747301-0
OBsolete	4.32 [0.170] 4-40 INSERT (DETAIL D)		747301-9
	3.18 [0.125] 4-40 INSERT (DETAIL D)		747301-8
	3.18 [0.125] 4-40 INSERT (DETAIL D)		747301-7
OBsolete	6.35 [0.250] -		747301-6
OBsolete	6.35 [0.250] -		747301-5
SUPERSEDED BY 747301-2	4.32 [0.170] -		747301-4
SUPERSEDED BY 747301-4	4.32 [0.170] -		747301-3
	3.18 [0.125] -		747301-2
SUPERSEDED BY 747301-2	3.18 [0.125] -		747301-1

MATERIAL		FINISH		CONTACT		SHELL	
1		2		SEE TABLE		3	

DR	CHK	APPD	PRODUCT SPEC	APPLICATION SPEC	WEIGHT
12-4-89 J. McCLINTON	2-1-90 R. STONE	2-2-90 S. SCHIEFERLY	108-40025	114-40023	

NAME	SIZE	CAGE CODE	DRAWING NO
RECEPTACLE ASSEMBLY, SIZE 4, 37 POSN, VERTICAL, FRONT METAL SHELL, AMPLIMITE® HD-20	D	00779	747301

SCALE	SHEET
4:1	1 OF 1