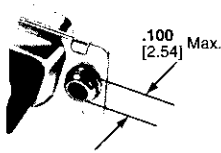
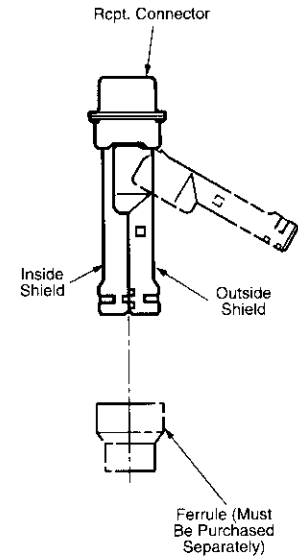
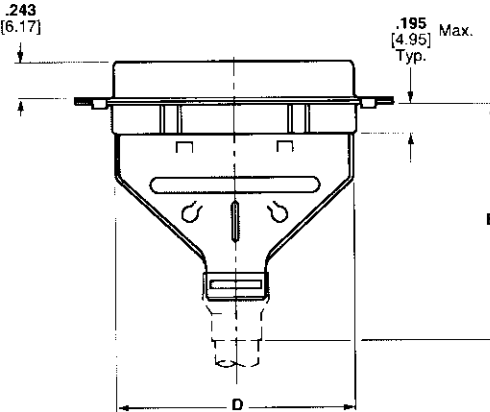
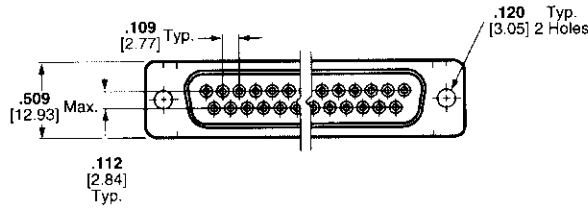
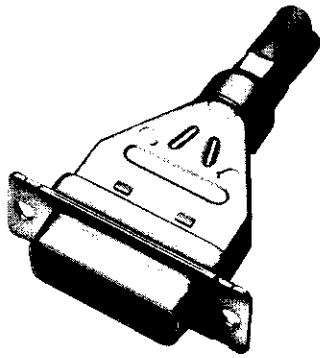
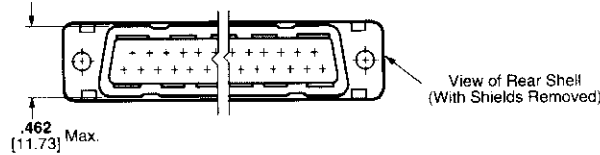


HDP-20 Basic Shielding Hardware Kits (Continued)

Receptacle



Clinch Nut
(Plug and Receptacle)



Cable Connectors

Shell Size	No. of Contact Positions	Dimensions		Recommended Cable Outer Dia. Range	Max. Inner Cable Bundle Dia.†	Mounting Method	Plug Kit Numbers	Receptacle Kit Numbers
		D	E					
1	9	.700	1.535	.165-.455 4.19-11.56	.350 8.89	Standard	747522-1	747523-1
		17.78	38.99			Clinch Nut	748526-1	748536-1
2	15	1.024	1.535	.165-.455 4.19-11.56	.350 8.89	Standard	747538-1	747539-1
		26.01	38.99			Clinch Nut	750636-1	787908-1
3	25	1.576	1.535	.165-.455 4.16-11.56	.350 8.89	Standard	747554-1	747555-1
		40.03	38.99			Clinch Nut	—	749763-1
4	37	2.215	1.892	.338-.562 8.59-14.28	.450 11.43	Standard	747570-1	747571-1
		56.26	48.06			Clinch Nut	786929-1	—
5	50	2.120	1.876	.338-.480 8.59-12.19	.450 11.43	Standard	747577-1	747578-1
		53.85	47.65			—	—	—

Notes: 1. Plugs accept size 20 DF pin contacts and receptacles accept size 20 DF socket contacts.
2. Components of the kits are shipped unassembled and bulk-packaged in quantities of 100 pieces.
†Maximum cable diameter after jacket and braid removed.