

Distributed by:

JAMECO[®]
ELECTRONICS

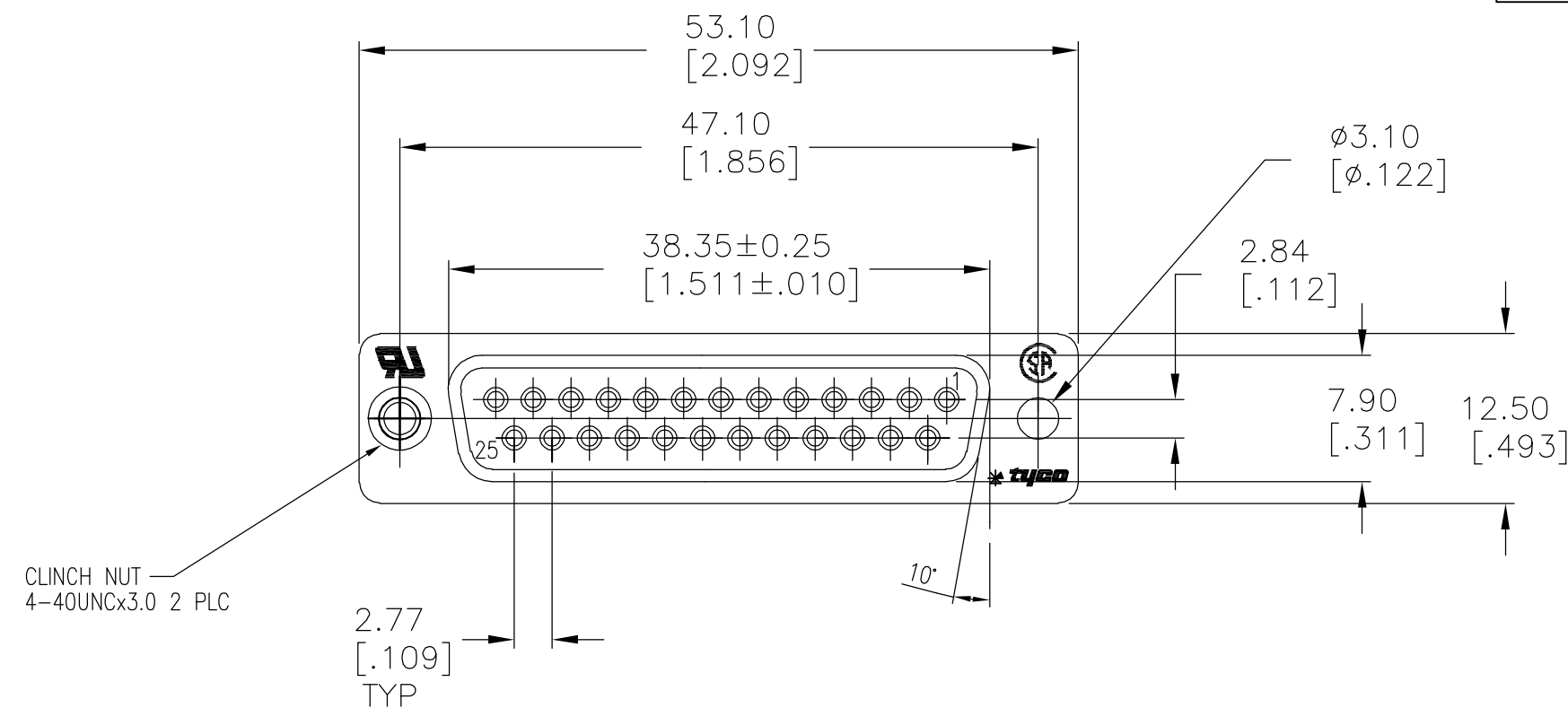
www.Jameco.com ♦ 1-800-831-4242

The content and copyrights of the attached
material are the property of its owner.

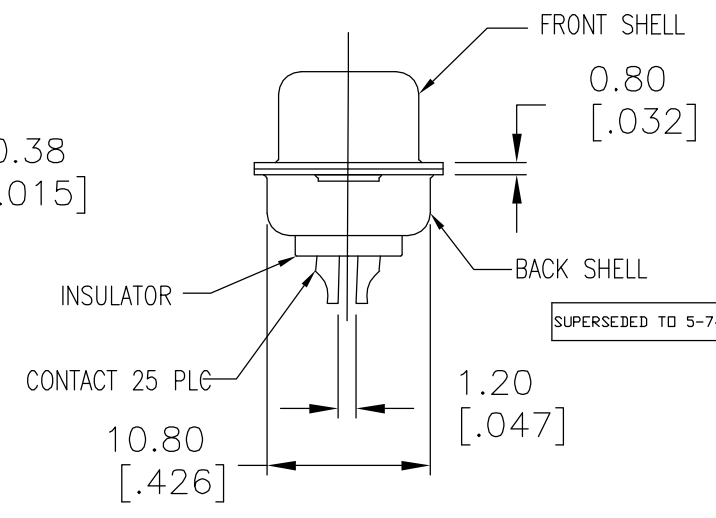
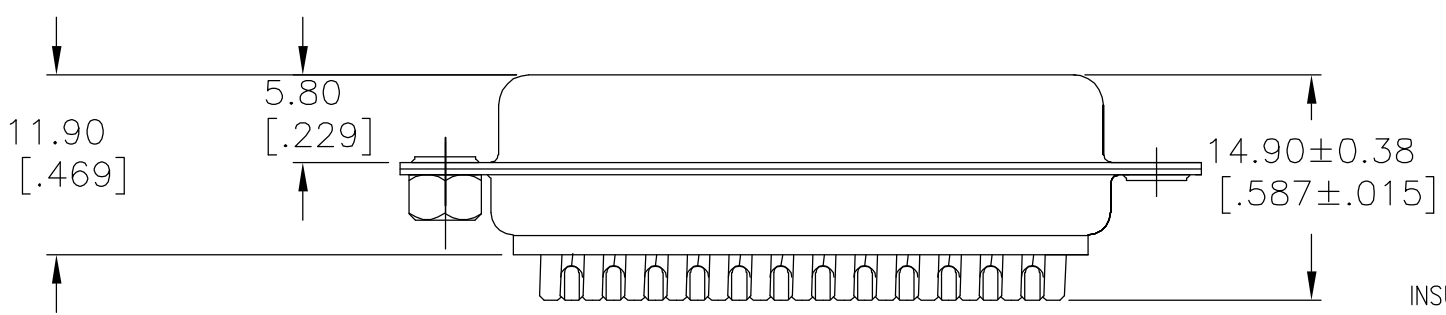
Jameco Part Number 223044

THIS DRAWING IS UNPUBLISHED. RELEASED FOR PUBLICATION
 © COPYRIGHT BY TYCO ELECTRONICS CORPORATION. ALL RIGHTS RESERVED.

LOC	DIST	REVISIONS					
AD	00	P	LTR	DESCRIPTION	DATE	DWN	APVD
			S1	ECO-05-10192	06OCT05	MB	JO



- MATERIAL:**
- 1 FRONT INSULATOR: PBT, 30 %GF, UL94V-0, BLACK COLOR
 - BACK INSULATOR: PBT, 30 %GF, UL94V-0, BLACK COLOR
 - CONTACT: BRASS
 - FRONT SHELL: STEEL
 - BACK SHELL: STEEL
 - CLINCH NUTS: BRASS
- FINISH:**
- 2 CONTACT: GOLD PLATING 0.00002[.0000008] MIN ON CONTACT AREA 0.00229 [.000090] MIN TIN-LEAD PLATING ALL OVER 0.00127[.000050] MIN NICKEL
 - 3 CONTACT: GOLD PLATING 0.00076[.000030] MIN ON CONTACT AREA 0.00229 [.000090] MIN TIN-LEAD PLATING ALL OVER 0.00127[.000050] MIN NICKEL
 - 4 SHELL: TIN 0.0241[.000095] MIN FULL SHELL
 - 5 SHELL: ZINC 0.00076[.000300] MIN FULL SHELL
 - 6 CONTACT: GOLD PLATING 0.00002[.0000008] MIN ON CONTACT AREA 0.00229 [.000090] MIN TIN-COPPER PLATING ALL OVER 0.00127[.000050] MIN NICKEL
 - 7 CLINCH NUTS: NICKEL PLATING .00305-.00508[.000120-.000200]
- 8. SPECIFICATION**
- ELECTRICAL CHARACTERISTICS: CURRENT RATING: 3 AMPERES
 DIELECTRIC WITHSTANDING VOLTAGE: AC 1000V r.m.s
 INSULATION RESISTANCE: 5000 MEGOHMS MINIMUM AT DC 500V
 CONTACT RESISTANCE: 10 MILLIOHMS MAXIMUM.
- 9 ROHS 2002/95/EC COMPLIANT
10. RECEPTACLE ASSEMBLY MATES WITH ANY 25 POSITION PLUG IN AMPLIMITE SERIES
 11. SOLDER CUP WILL ACCOMMODATE 20 MAX AWG WIRE.
- 12 CONTACT: GOLD PLATING 0.00076[.000030] MIN ON CONTACT AREA 0.00229[.000090] MIN TIN-COPPER ALL OVER 0.00127[.000050] MIN NICKEL PLATING



9	STANDARD	YES	6	4	5-747913-9
9	STANDARD	NO	12	4	5-747913-5
9	STANDARD	NO	6	4	5-747913-2
	STANDARD	YES	2	4	747913-9
	STANDARD	NO	6	4	747913-8
	STANDARD	NO	2	5	747913-6
	STANDARD	NO	3	4	747913-5
	STANDARD	NO	3	5	747913-4
	STANDARD	NO	3	4	747913-2
	PACKAGING TYPE	CLINCH NUTS	CONTACTS	SHELLS	PART NO

THIS DRAWING IS A CONTROLLED DOCUMENT.

DWN	M.BINNER	04MAR03		Tyco Electronics Corporation		
CHK	R.BENDORF	05MAR03		Harrisburg, PA 17105-3608		
APVD	R.BENDORF	05MAR03		NAME		
PRODUCT SPEC			RECEPTACLE ASSEMBLY, SOLDER CUP, SIZE 3, 25 POSN, HD-20, AMPLIMITE			
APPLICATION SPEC			-			
WEIGHT			SIZE	CAGE CODE	DRAWING NO	RESTRICTED TO
-			A3	00779	C-747913	-
CUSTOMER DRAWING			SCALE	SHEET	REV	
			1:1	1 OF 1	S1	

DIMENSIONS:	TOLERANCES UNLESS OTHERWISE SPECIFIED:
mm [INCHES]	
0 PLC	± -
1 PLC	± 0.25
2 PLC	± 0.13
3 PLC	± 0.05
4 PLC	± -
ANGLES	± 4'
MATERIAL	FINISH
1	SEE TABLE