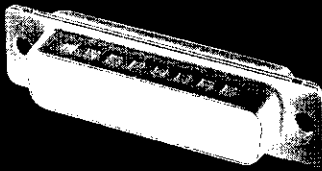


HD-20 Solder Cup Connectors (Continued)



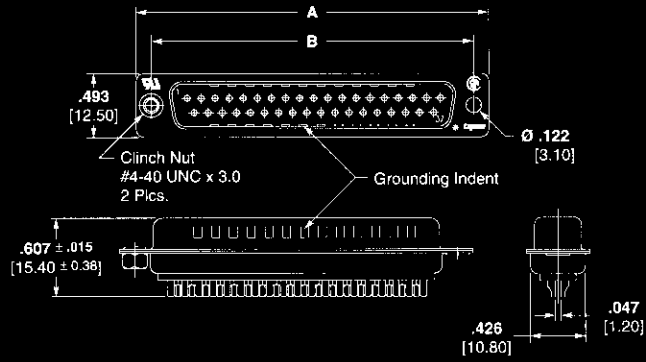
Plug

Material and Finish:

Shell—Steel, tin or zinc plated

Insert—94V-0 rated thermoplastic, black

Contacts—Phosphor bronze, duplex plated with gold flash on mating end, tin-lead on solder cup, with entire contact nickel underplated



Related Product Data:

Mateable Connectors:

HDE—pages 115-124

HDF—pages 129-131

HDP—pages 95-106

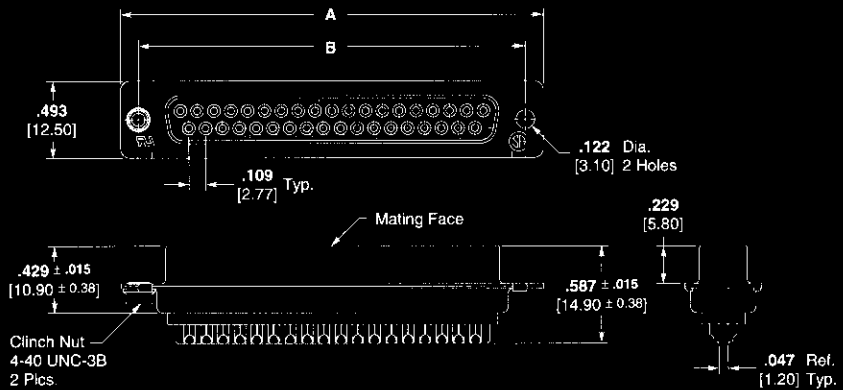
HD-20 Solder Cup—pages 133-135

HD-20 Board Mount—pages 55-72, 83-90, 92-94

Cable Clamps—pages 137, 138, 140-142, 145, 146, 149, 150

Mating Hardware—pages 151-154, 156-159

Receptacle



Technical Documents:

Product Specification

108-40031

Instruction Sheet

408-9193



Shell Size	No. of Contact Positions	Dimensions		Plug Part Numbers		Receptacle Part Numbers	
		A	B	Tin Plated Shell	Zinc Plated Shell	Tin Plated Shell	Zinc Plated Shell
1	9	1.210 30.80	.984 24.99	747904-2	747904-4	747905-2	747905-4
2	15	1.544 39.20	1.313 33.32	747908-2	747908-4	747909-2	747909-4
3	25	2.089 53.01	1.853 47.04	747912-2	747912-4	747913-2	747913-4
4	37	2.734 69.40	2.502 63.50	747916-2	747916-4	747917-2	747917-4