

Distributed by:

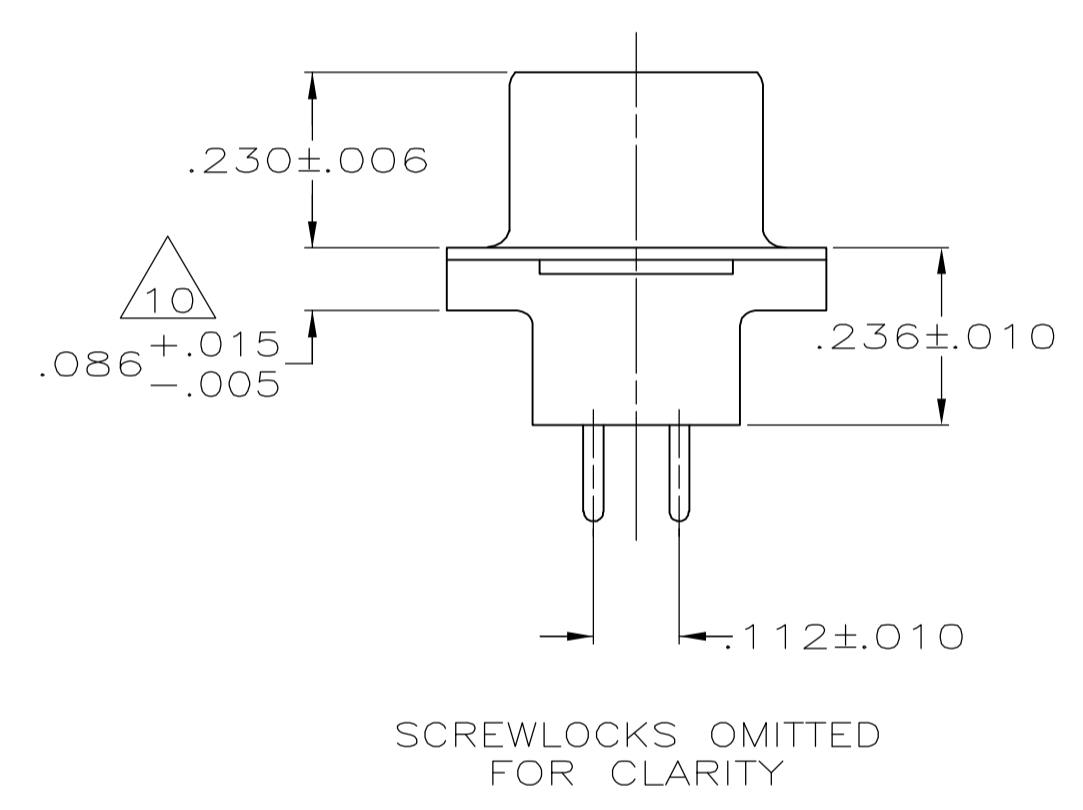
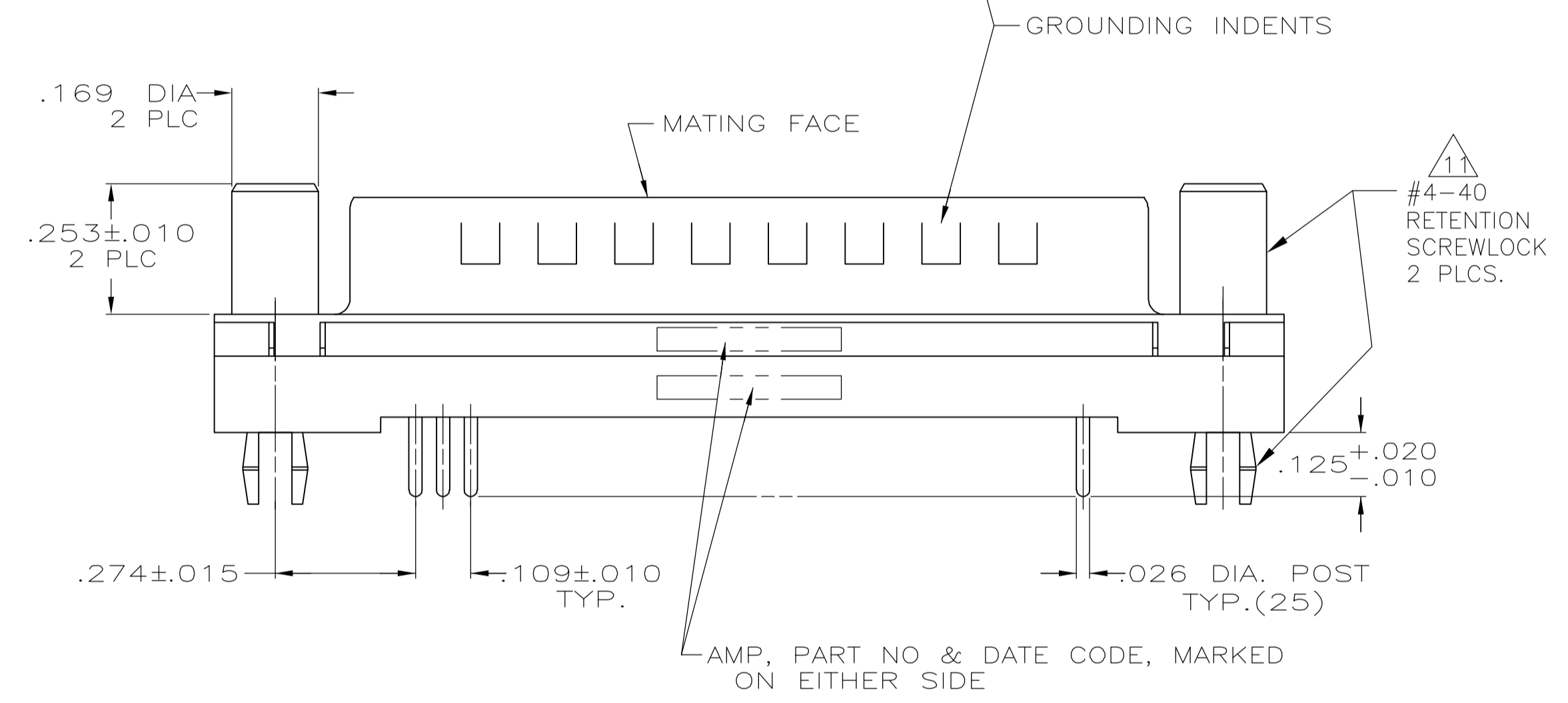
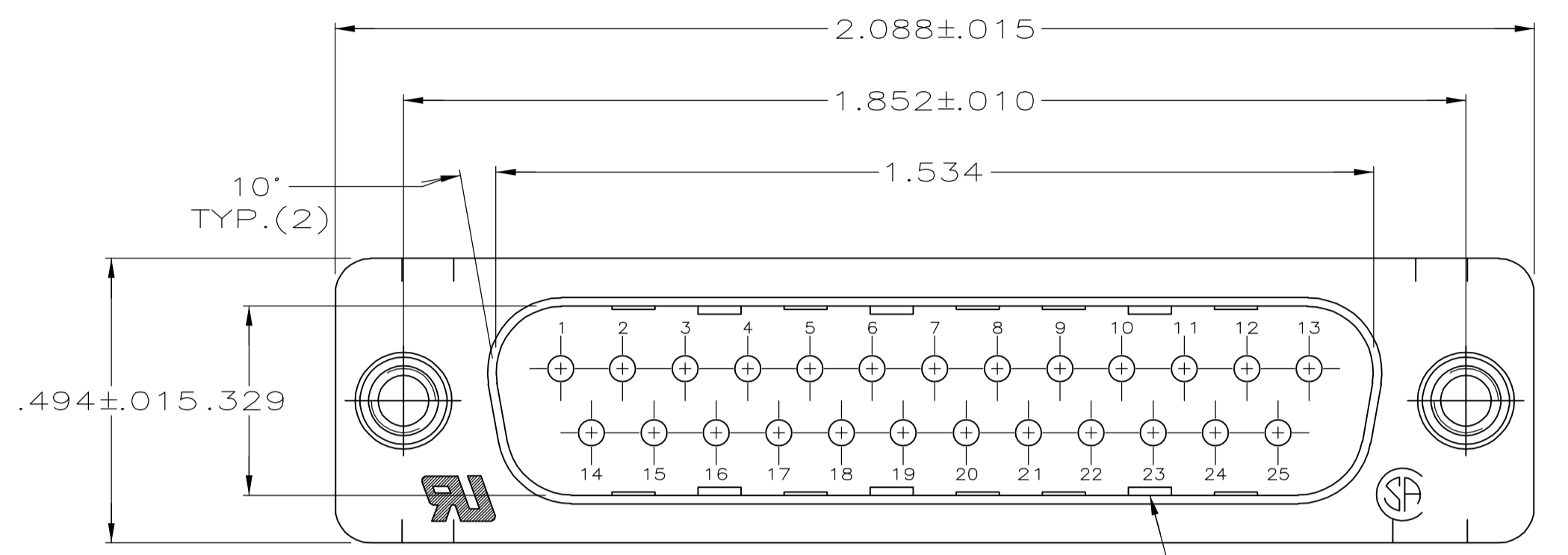
JAMECO[®]
ELECTRONICS

www.Jameco.com ♦ 1-800-831-4242

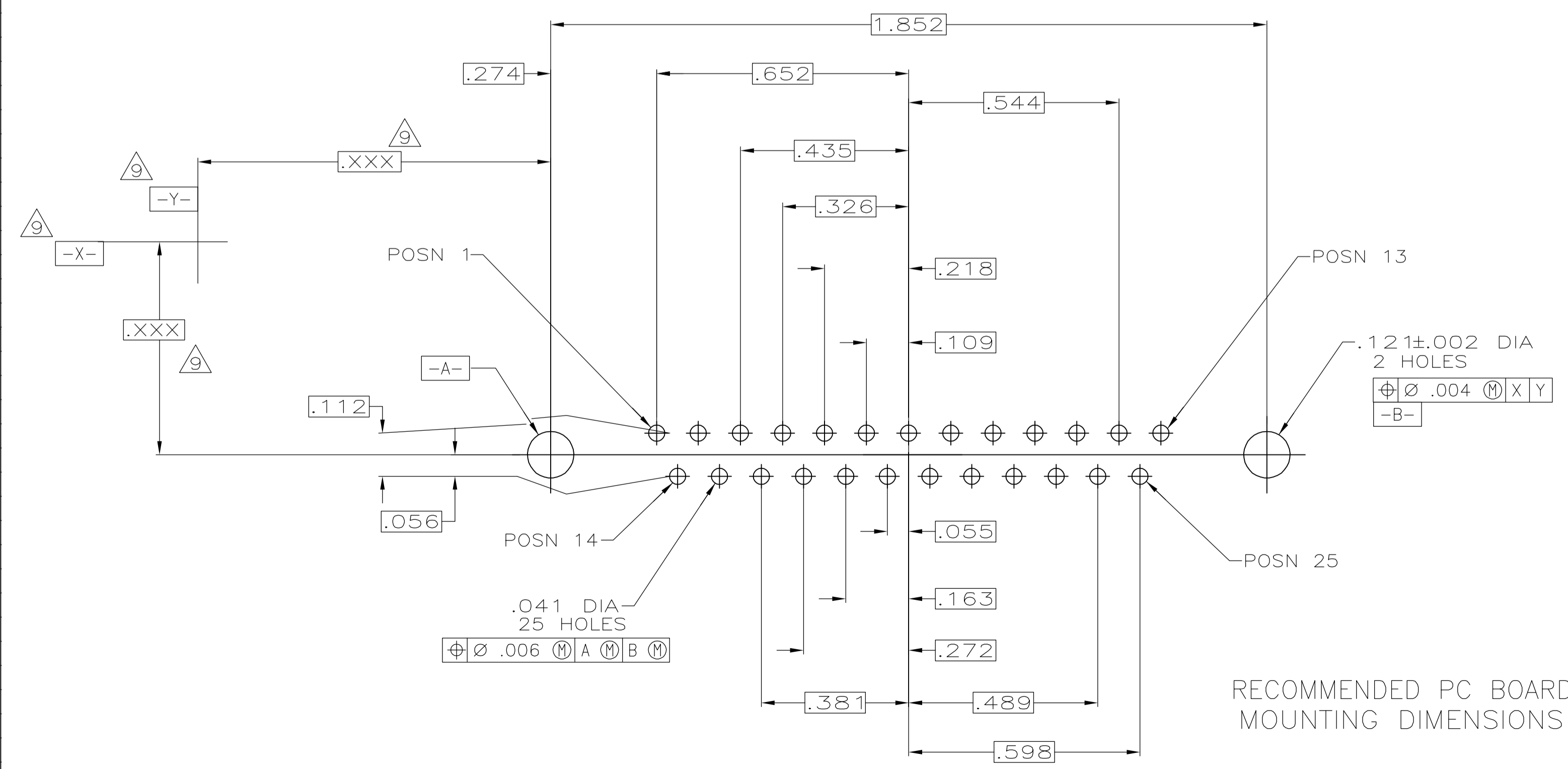
The content and copyrights of the attached
material are the property of its owner.

Jameco Part Number 758356

LOC		DIST		REVISIONS			
GP	00	REV	DATE	BY	APP'D		
J		REVISED PER ECN-0513-0156-05	14JUL06	JDP	SLB		



- △ FLAME RETARDANT 94V-0 RATED THERMOPLASTIC; COLOR: BLACK.
- △ STEEL PER ASTM A109.
- △ BRASS PER MIL-C-50.
- △ BRASS PER QQ-B-626.
- △ ZINC PLATING PER ASTM B633; TYPE III; CLASS SC1; CLEAR CHROMATE, TIN PLATING PER MIL-T-10727, GOLD PLATING PER MIL-G-45204, NICKEL PLATING PER QQ-N-290.
- △ .000200-.000400 BRIGHT TIN.
- △ .000100 MIN TIN-LEAD OVER .000050 MIN NICKEL OVER COPPER FLASH.
- △ GOLD PLATED FOR A LENGTH OF .150 FROM MATING END, .000030 MIN GOLD IN MATED AREA, .000100-.000200 BRIGHT TIN OR BRIGHT TIN-LEAD ON SOLDER END, ALL OVER .000050 MIN NICKEL ON ENTIRE CONTACT.
- △ DATUMS AND BASIC DIMENSIONS ESTABLISHED BY CUSTOMER.
- △ .110 MAX IN SHELL TAB CLINCH AREAS.
- △ ORIENTATION IS OPTIONAL AND MAY NOT BE AS SHOWN.



RECOMMENDED PC BOARD MOUNTING DIMENSIONS

748027-1
PART NUMBER

THIS DRAWING IS A CONTROLLED DOCUMENT.		DIN S. WELDON 05/09/85		Tyco Electronics Corporation Harrisburg, PA 17105-3608	
DIMENSIONS: INCHES		CHK J. GERACE		APVD	NAME
TOLERANCES UNLESS OTHERWISE SPECIFIED:		0 PLC ± -	1 PLC ± -	2 PLC ± -	3 PLC ± .005
MATERIAL		4 PLC ± -	ANGLES ± -	SIZE	114-40023
FINISH		1	2	3	4
WEIGHT		A1 00779 C=748027		RESTRICTED TO	
CUSTOMER DRAWING		SCALE 4:1	SHEET 1 OF 1	REV J	