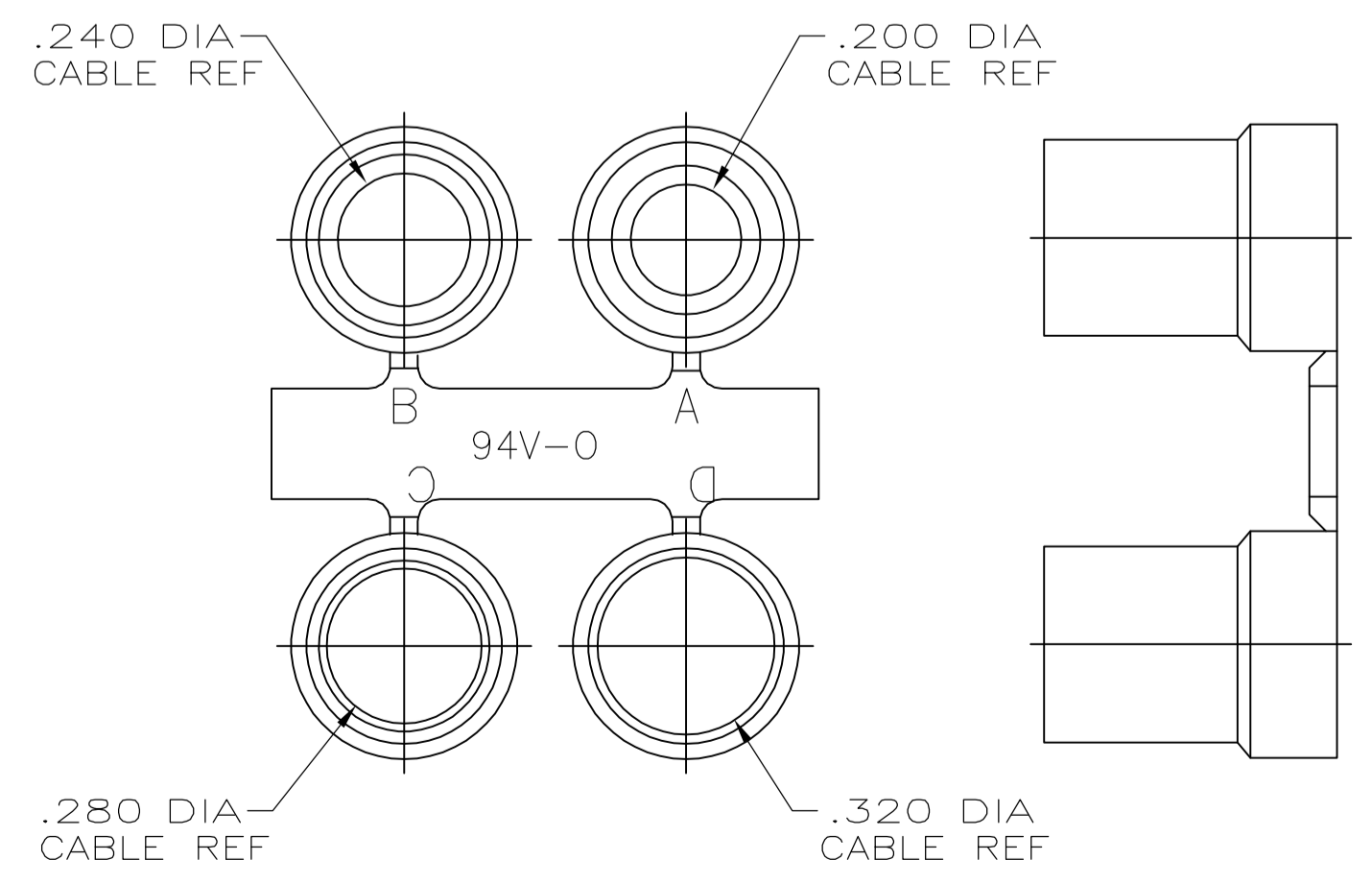
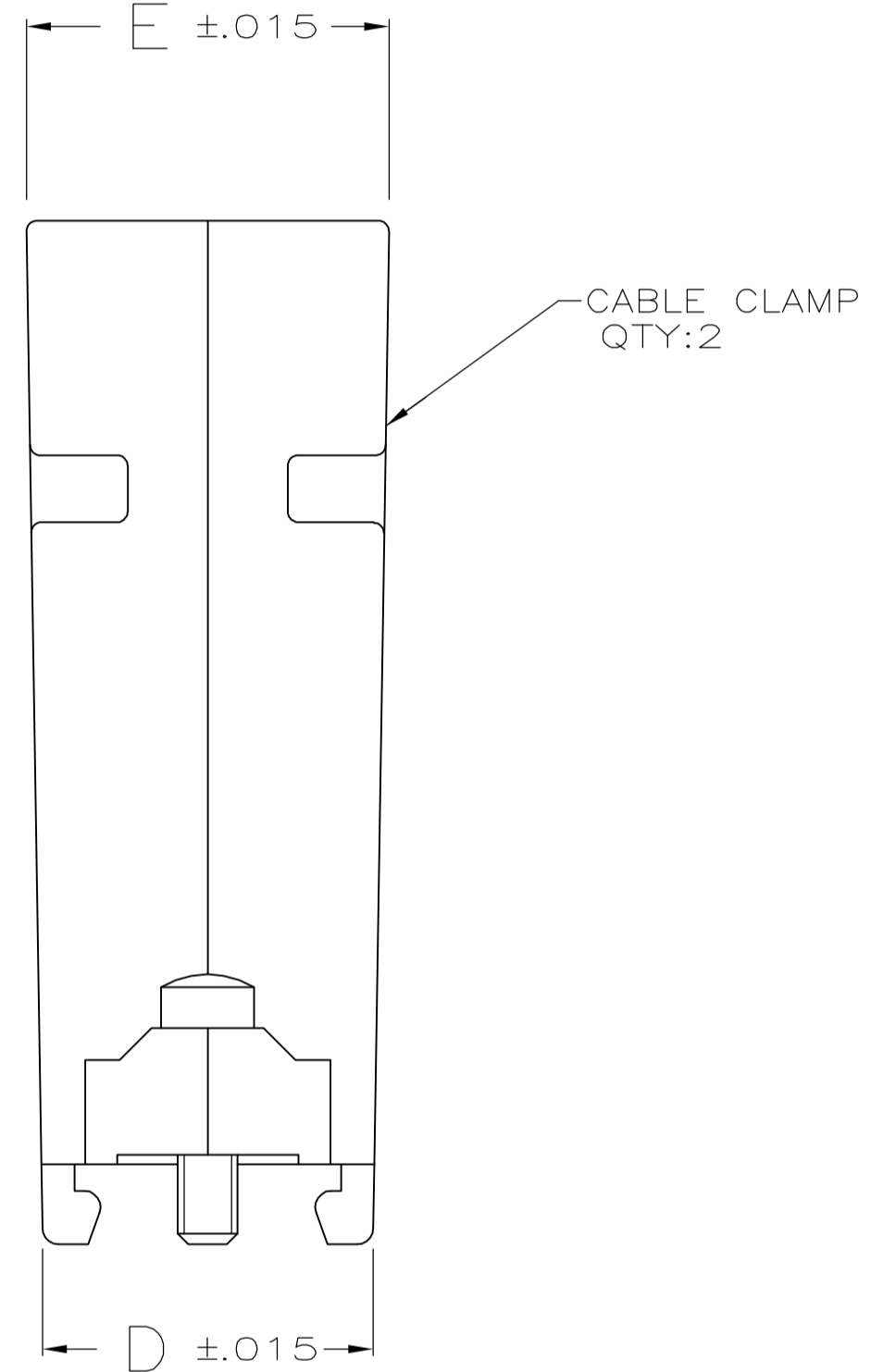
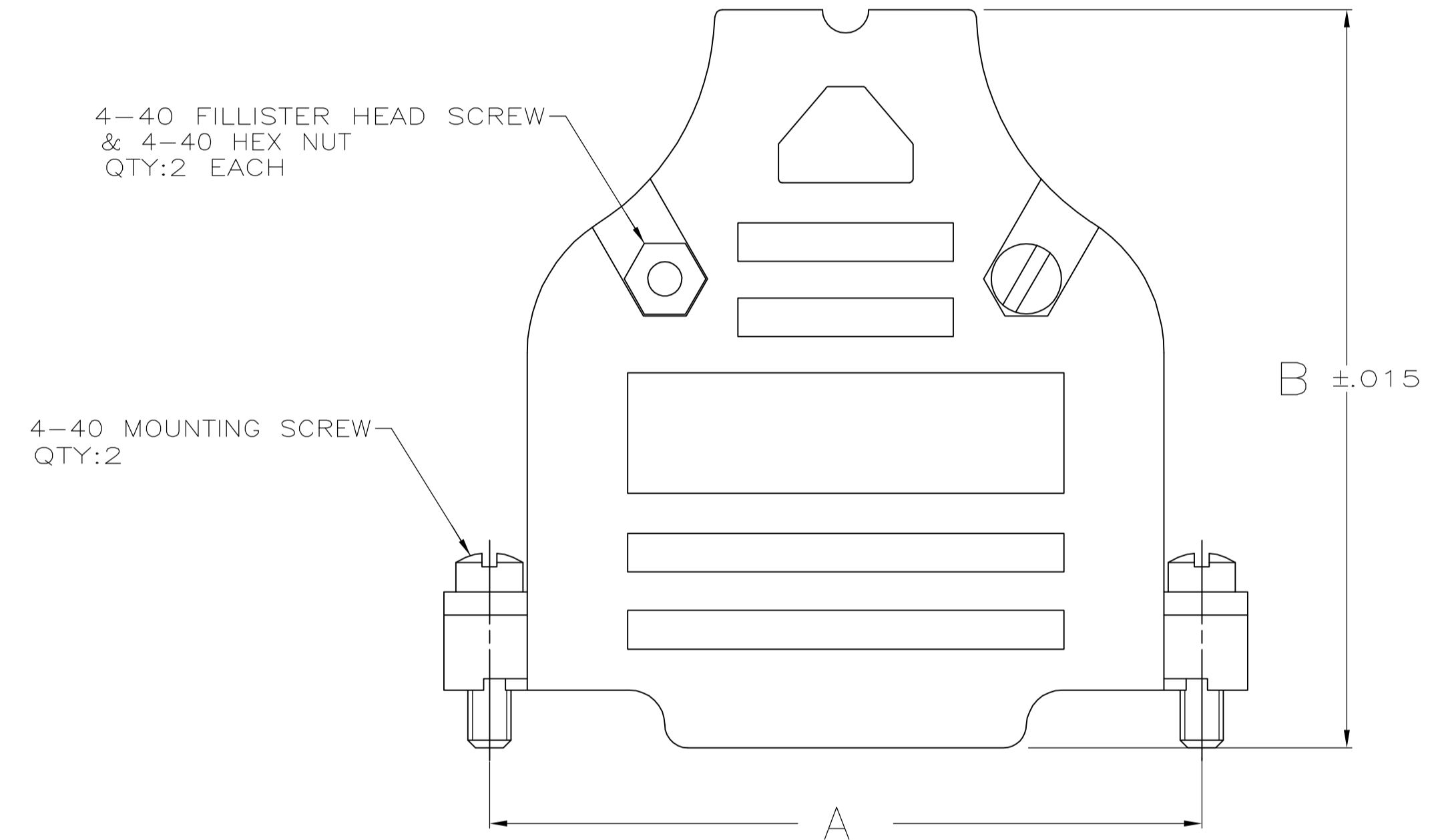
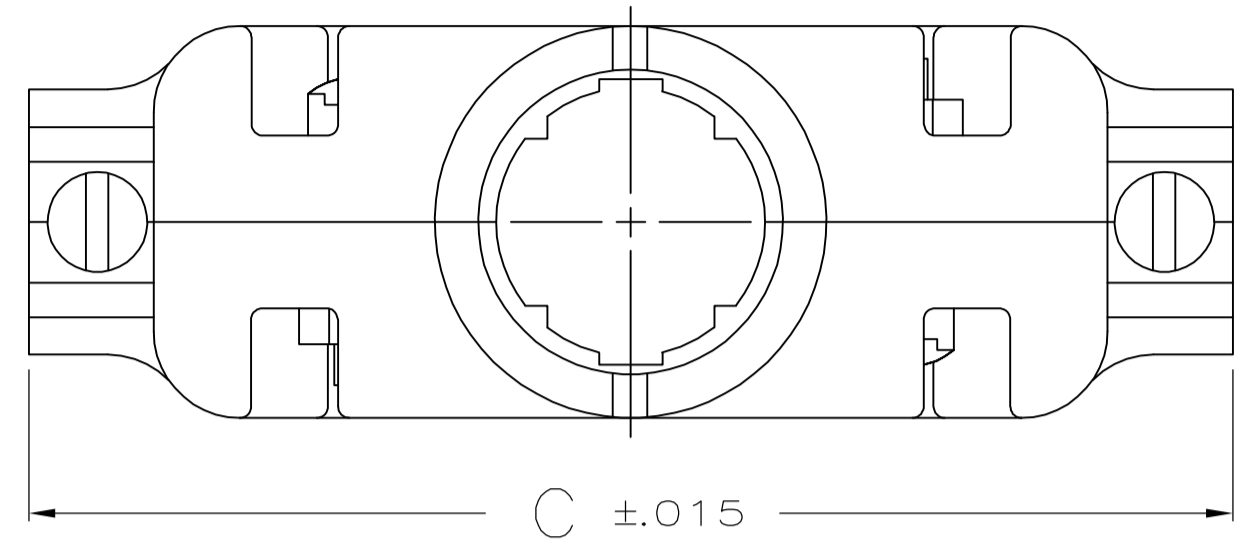
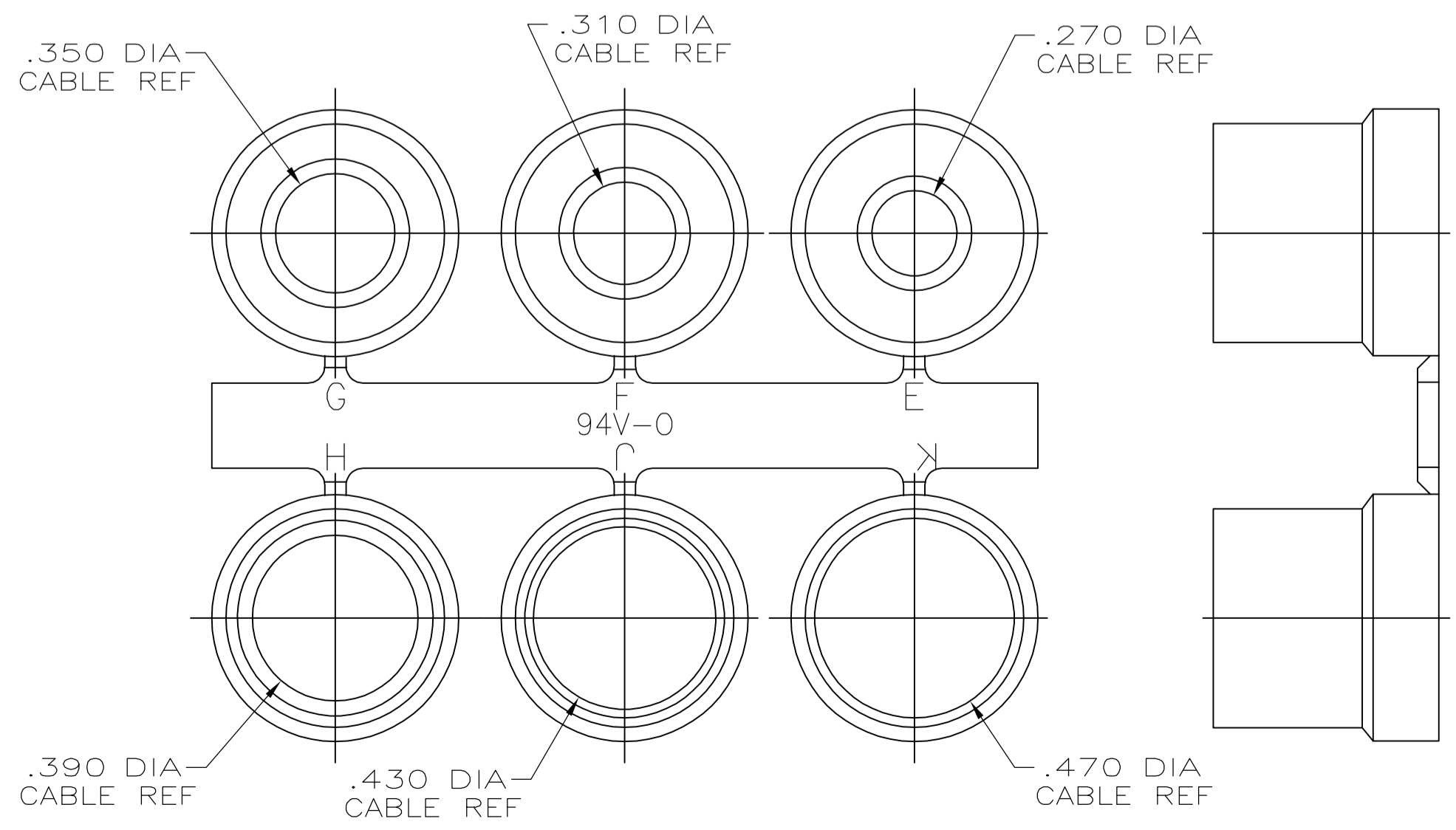


- ⚠ PARTS PACKAGED UNASSEMBLED AS A UNIT KIT.
- ⚠ CABLE CLAMPS: ABS COMPOUND, SEE TABLE FOR COLOR, FILLISTER HEAD SCREWS, HEX NUTS & MOUNTING SCREWS: STEEL PER ASTM A108, GROMMETS: FLEXIBLE PVC, UL 94V-0 RATED, COLOR: BLACK.
- ⚠ CABLE CLAMPS: UNPLATED, FILLISTER HEAD SCREWS, HEX NUTS & MOUNTING SCREWS: ZINC PLATED PER ASTM B633, TYPE III, CLASS SC1, CLEAR CHROMATE.
- ⚠ PARTS BULK PACKAGED UNASSEMBLED.



GROMMET ASSORTMENT
TYPE 1
SEE TABLE



GROMMET ASSORTMENT
TYPE 2
SEE TABLE

OBSELETE	TYPE 1	BLACK	.570	.630	1.215	1.910	.984	1	⚠	748678-7
OBSELETE	TYPE 1	GRAY	.620	.630	1.545	1.910	1.312	2	⚠	748678-6
OBSELETE	TYPE 2	BLACK	.900	.730	2.644	1.920	2.406	5	⚠	748678-5
OBSELETE	TYPE 2	BLACK	.800	.620	2.738	1.920	2.500	4	⚠	748678-4
OBSELETE	TYPE 2	BLACK	.680	.640	2.090	1.920	1.852	3	⚠	748678-3
OBSELETE	TYPE 1	BLACK	.620	.620	1.545	1.910	1.312	2	⚠	748678-2
	TYPE 1	BLACK	.570	.630	1.215	1.910	.984	1	⚠	748678-1
GROMMET ASSORTMENT	CABLE CLAMP COLOR	E	D	C	B	A	SIZE	PART NO		

THIS DRAWING IS A CONTROLLED DOCUMENT.

DIMENSIONS: INCHES	TOLERANCES UNLESS OTHERWISE SPECIFIED:	DWG: S. WELDON 5/4/88	CHK: W. G. LENKER 5/4/88	APVD: -	NAME: -	DATE: 5/4/88	REV: -
0 PLC ± -	1 PLC ± -	2 PLC ± -	3 PLC ± .005	4 PLC ± -	ANGLES ± -	FINISH	
MATERIAL	FINISH	PRODUCT SPEC		APPLICATION SPEC		WEIGHT	
⚠	⚠	KIT, CABLE CLAMP, 180 DEGREES EXIT, UNPLATED, BLACK.		SIZE: A1 00779 C=748678		RESTRICTED TO	
CUSTOMER DRAWING		SCALE: 3:1		SHEET: 1 OF 1		REV: J2	

tyco Tyco Electronics Corporation
 Harrisburg, PA 17105-3608

OBSELETE
 NOT the LATEST REVISION