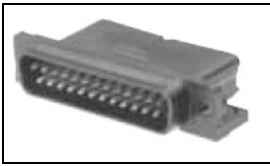



748826-2 Product Details

[Share](#) [Print](#) [Email](#)



748826-2

TE Internal Number: 748826-2
 Active

[View 3D PDF](#)

Standard Board Mount Connectors

 5 of 6 EU RoHS/ELV Compliant (Find RoHS Compliant Alternates/Statement of Compliance)

Product Highlights:

- 25 Positions
- Connector Style = Plug
- PCB Mounting Orientation = Right Angle
- Product Series = HD 20
- Without Mating Connector Lock

[View all Features](#)

Quick Links

- ▶ [Pricing & Availability](#)
- ▶ [Search for Tooling](#)
- ▶ [View Mating Products \(1\)](#)
- ▶ [Product Feature Selector](#)
- ▶ [Contact Us About This Product](#)

[Add to My Part List](#)

[Request Sample](#)

[Find Similar Products](#)

[Buy Product](#)

Documentation & Additional Information

Product Drawings:

- [PLUG ASSEMBLY, SIZE 3, 25 POSN, ALL PLASTIC, RIGHT A...](#) (PDF, English)

Catalog Pages/Data Sheets:

- None Available

Product Specifications:

- None Available

Application Specifications:

- [AMPLIMITE III SERIES 318 AND 590 ALL-PLASTIC RIGHT-A...](#) (PDF, English)

Instruction Sheets:

- None Available

CAD Files: [\(CAD Format & Compression Information\)](#)

- [2D Drawing](#) (DXF, Version G)
- [3D Model](#) (IGES, Version G)
- [3D Model](#) (STEP, Version G)

[List all Documents](#)

Additional Information:

- [Product Line Information](#)

Related Products:

- [Tooling](#)
- [Mating Products \(1\)](#)

Product Features (Please use the Product Drawing for all design activity)

Product Type Features:

- [PCB Mounting Orientation](#) = Right Angle
- [Product Series](#) = HD 20
- [Mating Connector Lock](#) = Without
- [PCB Mount Retention](#) = Without
- [Shell Type](#) = All Plastic
- [Shell Size](#) = 3
- [Footprint \(mm \[in\]\)](#) = 14.99 [.590]
- [Grounding Indents](#) = Without
- [Grounding Straps](#) = Without
- [PCB Mount Style](#) = Through Hole
- [Color Code](#) = None
- [Sealed](#) = No
- [Profile](#) = Standard

Mechanical Attachment:

- [Panel Mount Retention](#) = Without

Termination Features:

- [Grounding Clips](#) = Without
- [Termination Post Length \(mm \[in\]\)](#) = 3.18 [0.125]

Dimensions:

- [PCB Thickness, Recommended \(in \[mm\]\)](#) = 0.093 [2.36]

Contact Features:

- [Contact Plating, Mating Area, Material](#) = Gold Flash
- [Solder Tail Contact Plating](#) = Tin-Lead over Nickel
- [Contact Base Material](#) = Brass

Housing Features:

- [Connector Style](#) = Plug
- [UL Flammability Rating](#) = UL 94V-0
- [Housing Material](#) = Thermoplastic - GF

Configuration Features:

- [Number of Positions](#) = 25

Industry Standards:

- [RoHS/ELV Compliance](#) = ELV compliant, 5 of 6 Compliant
- [Lead Free Solder Processes](#) = Wave solder capable to 260°C, Wave solder capable to 240°C, Wave solder capable to 265°C

Operation/Application:

- [Application](#) = Standard

Other:

- [Brand](#) = AMP
- [Comment](#) = Plugs are preloaded with size 20 DF posted pin contacts

Corporate Information

[About TE](#)

[Investors](#)

Quick Links

[Distributor Inventory](#)

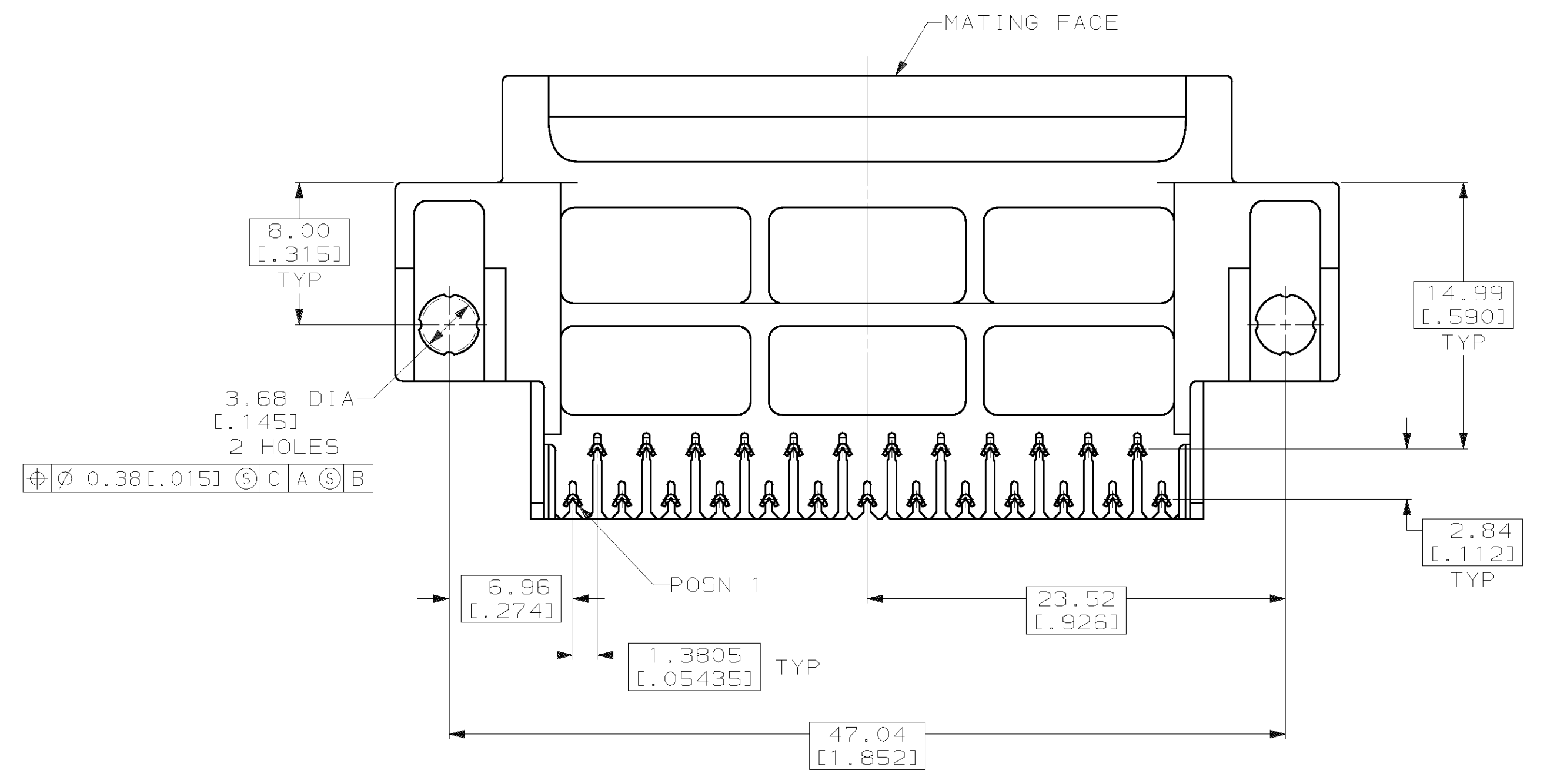
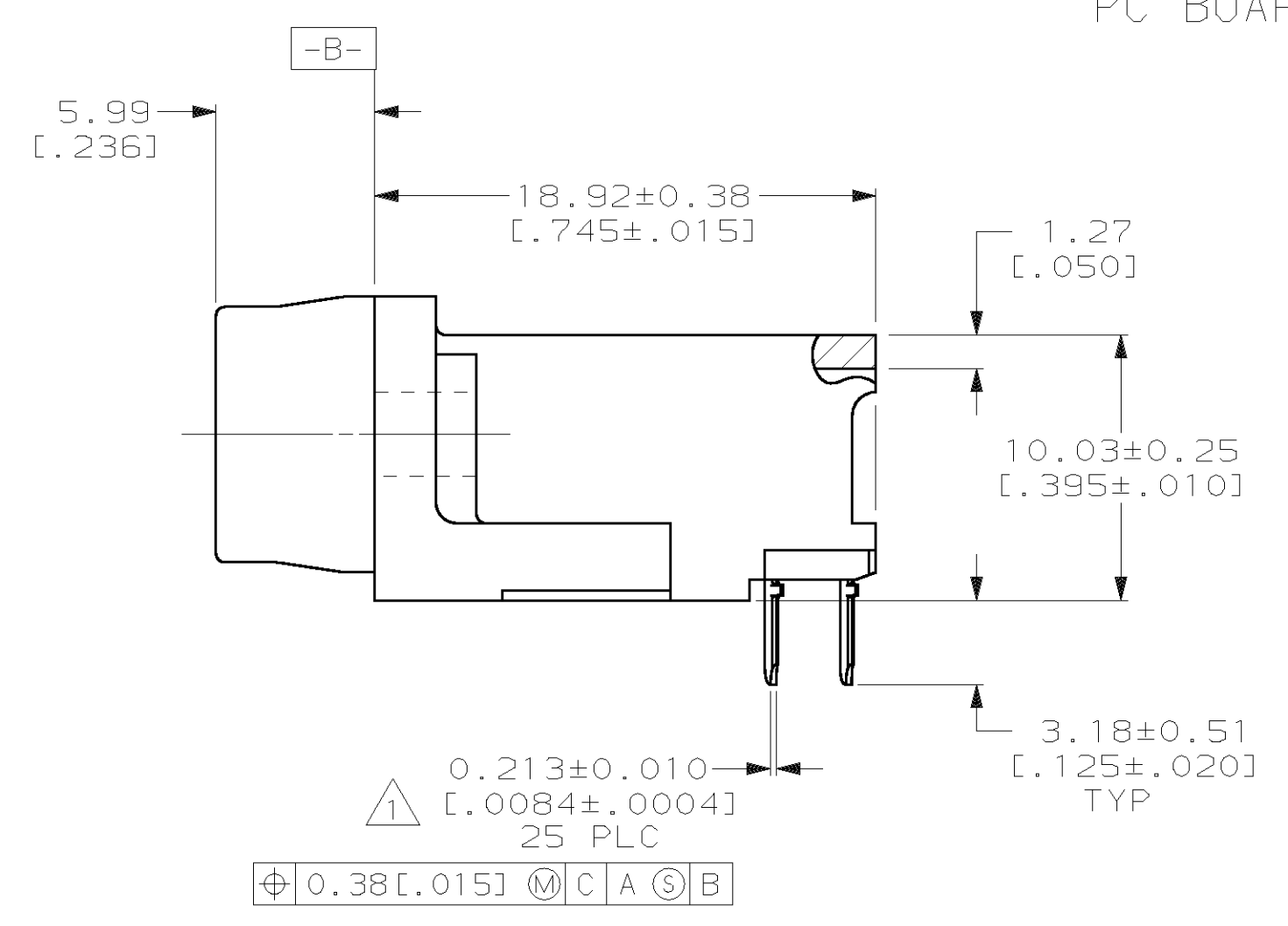
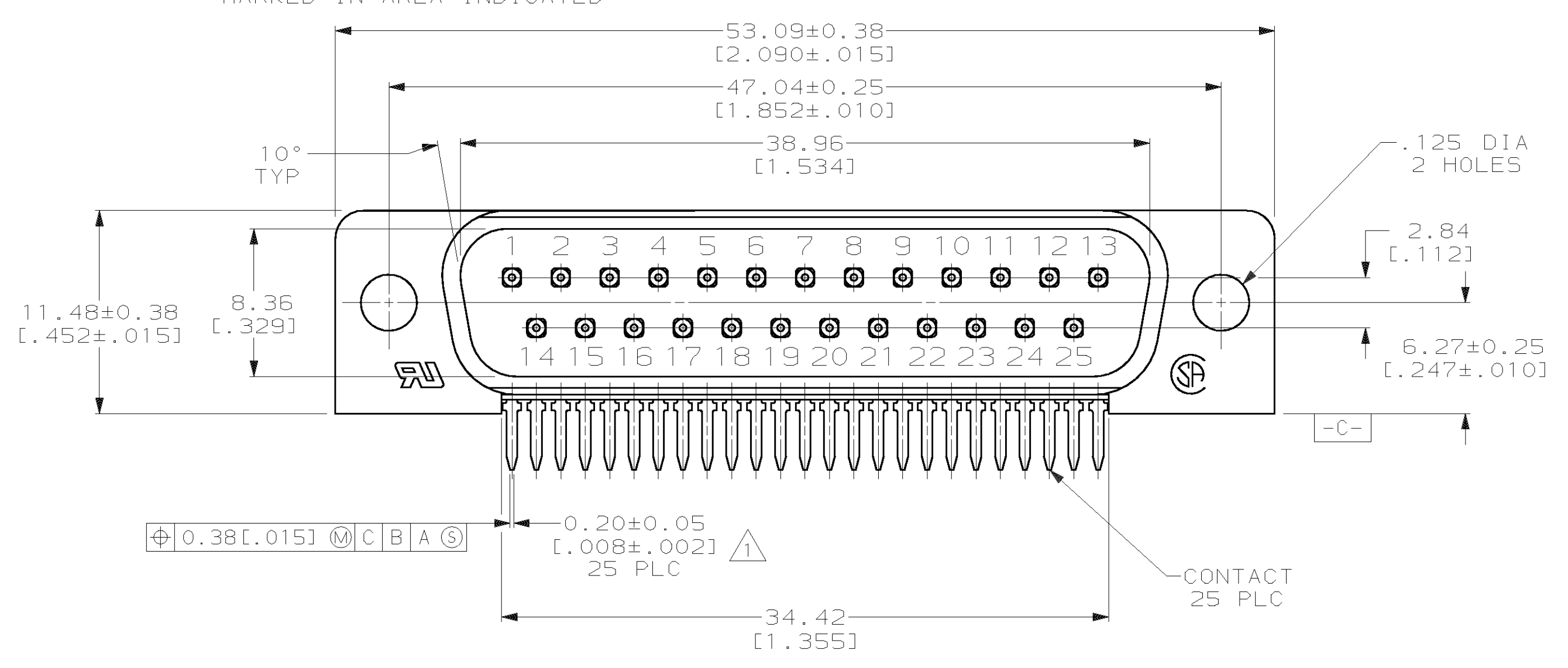
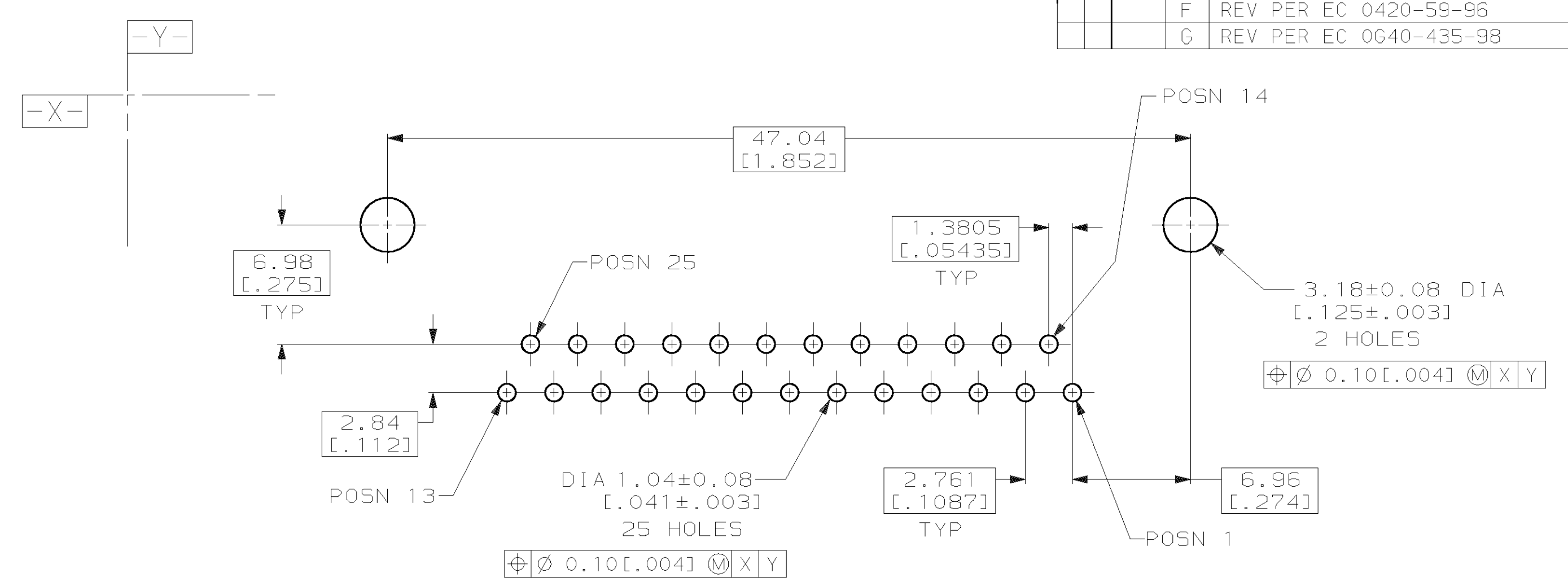
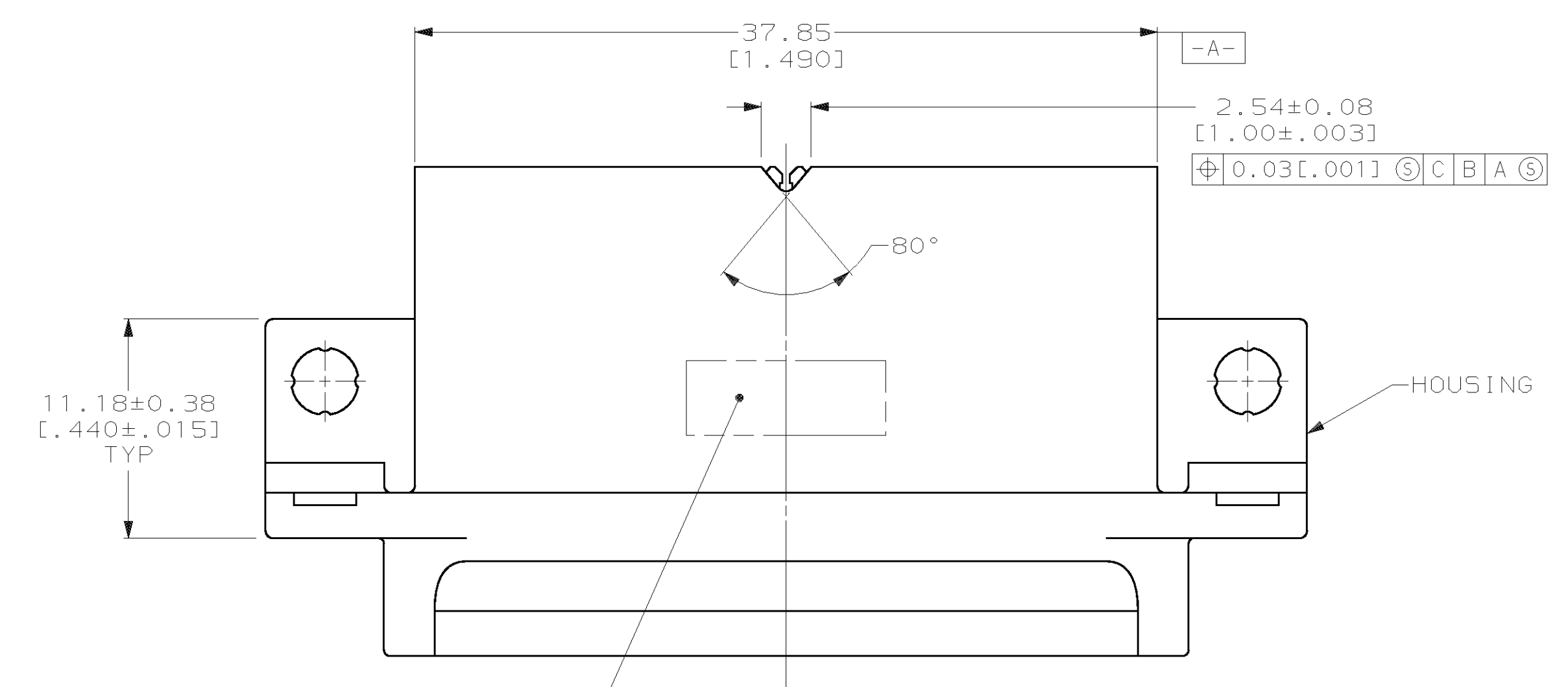
[Product Cross Reference](#)

Customer Support

[Email or Chat With Us](#)

[Find a Phone Number](#)

REVOLUTION		ZONE		REVISIONS		DATE	APPRO
LOC	DIST	P	F	DESCRIPTION			
BD	77			E REV PER EC 0020-1053-95	05 JAN 96	RLT	
				F REV PER EC 0420-59-96	20 SEP 96	RT	
				G REV PER EC 0640-435-98	17 MAR 99	RT	



- ① POSITION TOLERANCE APPLIES AT TIP ONLY.
- ② NYLON OR POLYESTER, UL94V-0, BLACK.
- ③ BRASS PER MIL-C-50
- ④ GOLD PLATING PER MIL-G-45204, NICKEL PLATING PER QQ-N-290, TIN PLATING PER MIL-T-10727.
- ⑤ GOLD PLATED FOR A LENGTH OF 3.81 [0.150] MIN FROM MATING END, 0.76µm [0.000030] MIN GOLD IN MATED AREA. 3.05µm [0.000120] MIN TIN-LEAD FOR A LENGTH OF 3.68 [0.145] MIN FROM OPPOSITE END, BOTH OVER 1.27µm [0.000050] MIN NICKEL.
- ⑥ GOLD PLATED FOR A LENGTH OF 3.81 [0.150] MIN FROM MATING END, GOLD FLASH IN MATED AREA. 3.05µm [0.000120] MIN TIN-LEAD FOR A LENGTH OF 3.68 [0.145] MIN FROM OPPOSITE END, BOTH OVER 1.27µm [0.000050] MIN NICKEL.

DO NOT SCALE PRINT. UNLESS SPECIFIED DIMENSIONS IN mm [INCHES] TOLERANCES ON:		DR 02/16/90 S.WELDON		748826-2	
2 PLC DEC ± 0.13 [0.005]		CHK 3-6-90 R.STONE		748826-1	
3 PLC DEC ± -		APPD 3-8-90 J.SWAIN		CONTACT FINISH PART NO	
ANGLES ± 2°		APPD 3-8-90 C.ROHDE		AMP INCORPORATED Harrisburg, Pa. 17105	
MATERIAL HOUSING: ② CONTACTS: ③		PRODUCT SPEC 108-1226		NAME	
FINISH ④ CONTACTS: SEE TABLE		APPLICATION SPEC 114-40027		PLUG ASSEMBLY, SIZE 3, 25 POSN, ALL PLASTIC, RIGHT ANGLE, .590 SERIES, AMPLIMITE® III	
SIZE D		CAGE CODE 00779		DRAWING NO 748826	
SCALE 4:1		WEIGHT -		SHEET 1 OF 1	