

Distributed by:

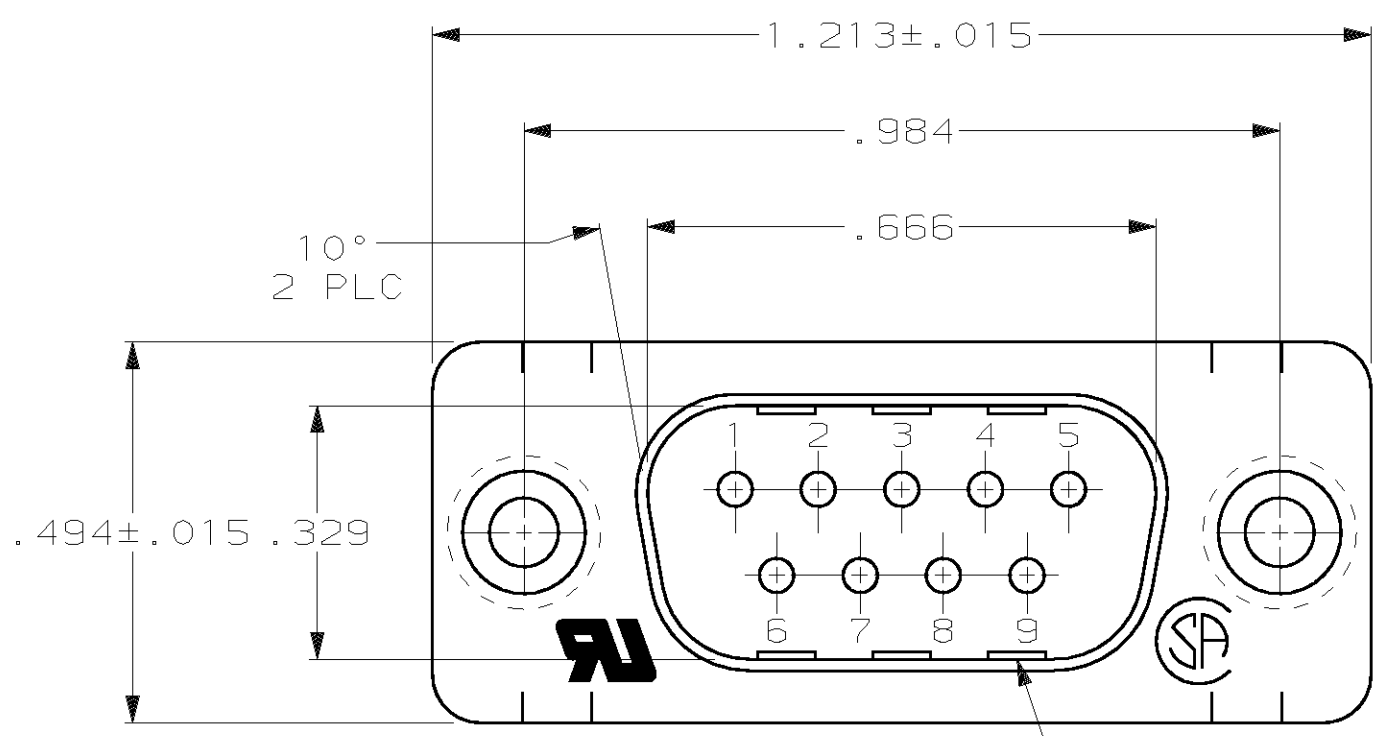
JAMECO[®]
ELECTRONICS

www.Jameco.com ♦ 1-800-831-4242

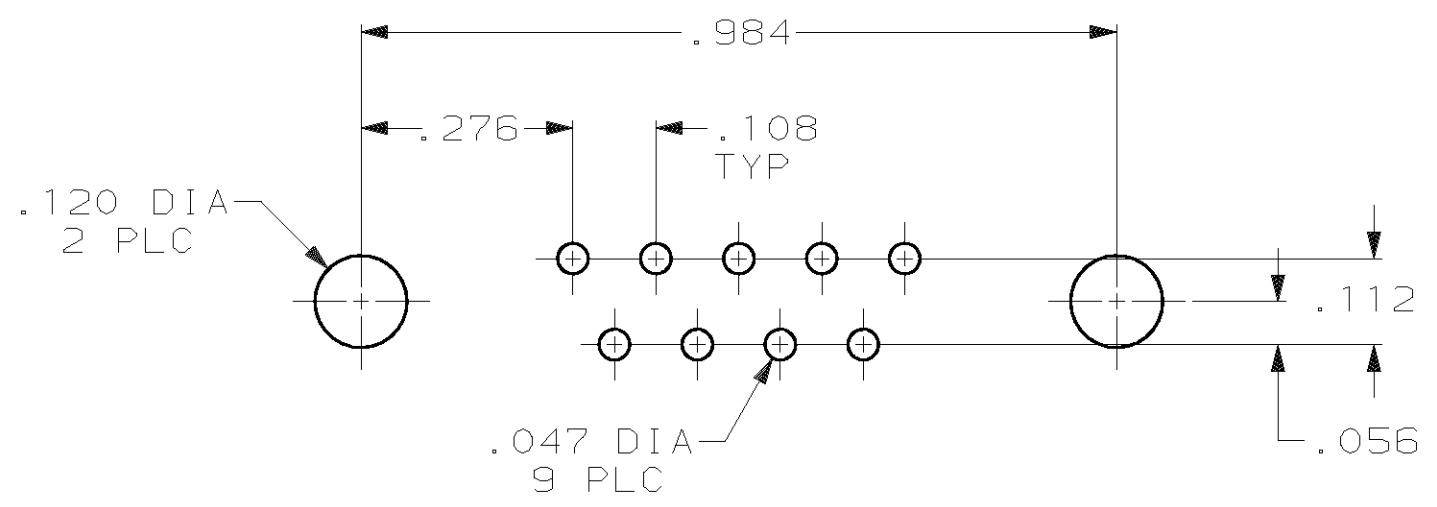
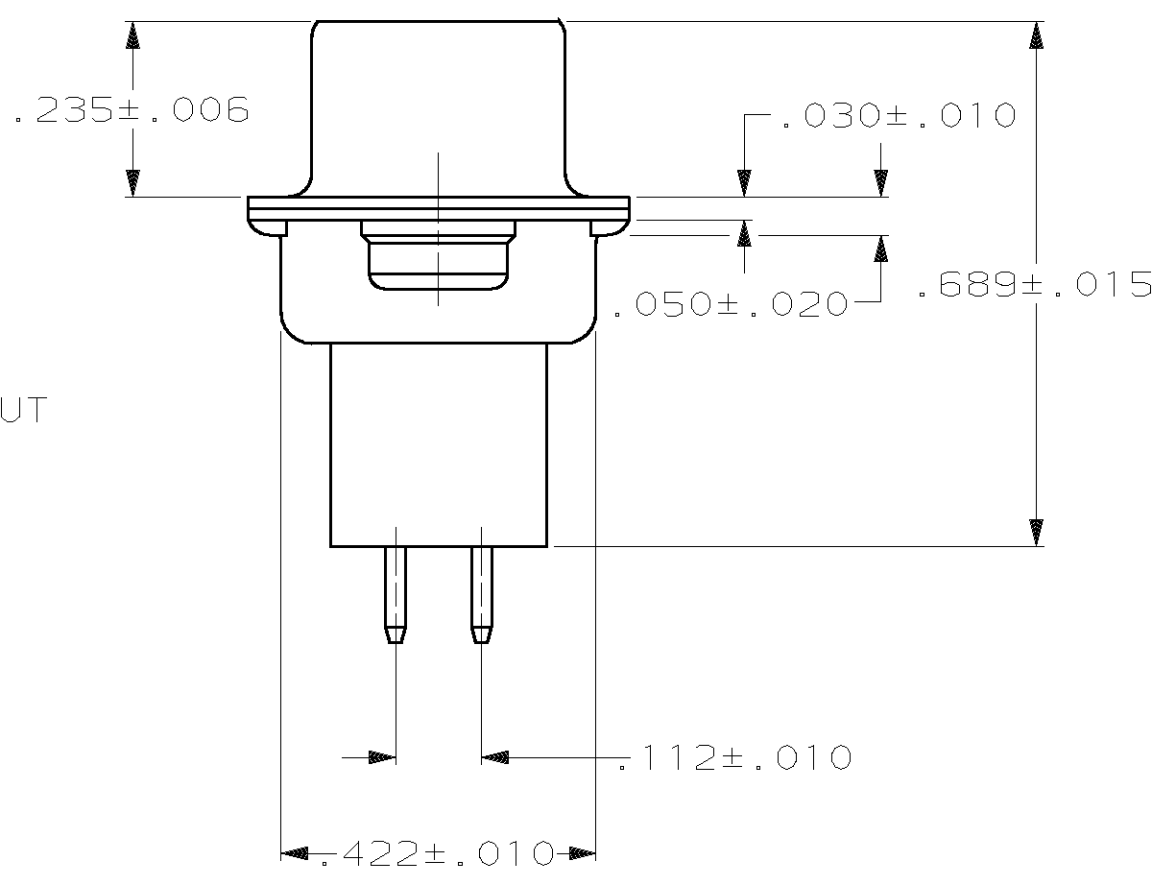
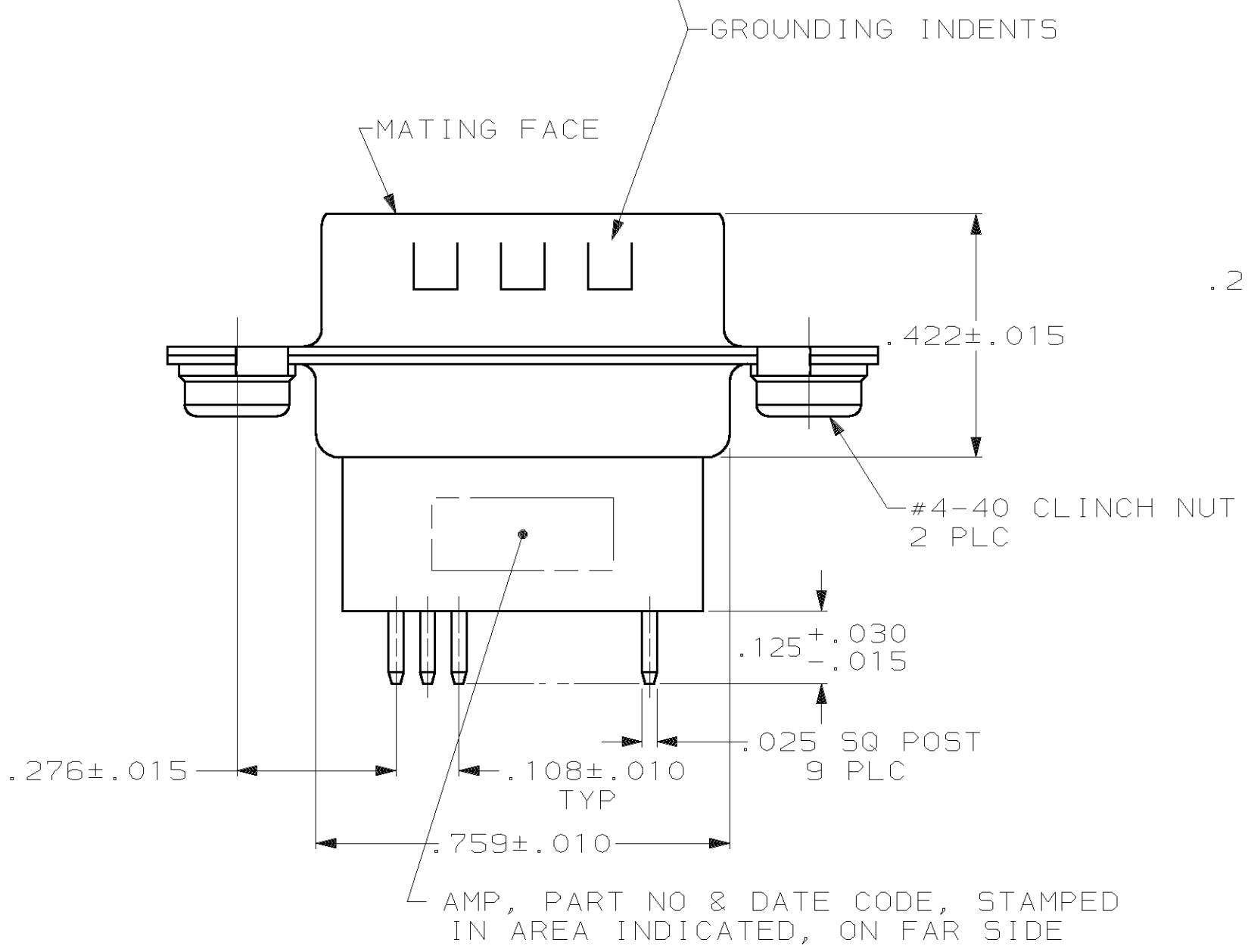
The content and copyrights of the attached
material are the property of its owner.

Jameco Part Number 758452

LOC		DIST		REVISIONS				DATE	APPD
GP	00	P	F	ZONE	LTR	DESCRIPTION			
						C REVISED PER EC 0513-0437-02	16JAN03	JG	



1. CONNECTOR MATES WITH ANY 9 POSN RECEPTACLE IN AMPLIMITE® SERIES.
2. FLAME RETARDANT 94V-0 RATED GLASS FILLED NYLON OR POLYESTER; COLOR: BLACK.
3. STEEL PER ASTM A109.
4. BRASS PER MIL-C-50D.
5. TIN PLATING PER MIL-T-10727, GOLD PLATING PER MIL-G-45204, NICKEL PLATING PER QQ-N-290, ZINC PLATING PER ASTM B633, TYPE II, CLASS SCI, YELLOW CHROMATE.
6. BRIGHT TIN PLATED.
7. ZINC PLATED.
8. GOLD PLATED FOR LENGTH OF .150 MIN FROM MATING END, .000030 MIN GOLD IN MATED AREA, .000100-.000200 TIN OR TIN-LEAD ON SOLDER END, ALL OVER .000050 MIN NICKEL ON ENTIRE CONTACT.



PC BOARD MOUNTING DIMENSIONS

DO NOT SCALE PRINT. UNLESS SPECIFIED DIMENSIONS IN INCHES TOLERANCES ON: 2 PLC DEC ± .005 3 PLC DEC ± .005 ANGLES ± 2°		DR 8-30-88 L.SIPE	8 CONTACT FINISH		749014-1 PART NO
MATERIAL MOLDED PARTS: 2 SHELLS: 3 CONTACTS: 4 CLINCH NUTS: STEEL	CHK 8-31-88 W.LENKER	APPD 9-1-88 M.NIER	AMP INCORPORATED Harrisburg, Pa. 17105		
FINISH 5 SHELLS: 6 CONTACTS: SEE TABLE CLINCH NUTS: 7	APPD 9-2-88 C.ROHDE	PRODUCT SPEC 108-1106	NAME PLUG ASSEMBLY, SIZE 1, 9 POSN, VERTICAL, W/ GROUNDING INDENTS & CLINCH NUTS, AMPLIMITE® HDP-20		
	APPLICATION SPEC -	SIZE C	FSCM NO 00779	DRAWING NO 749014	
	WEIGHT -	SCALE 4:1		SHEET 1 OF 1	