



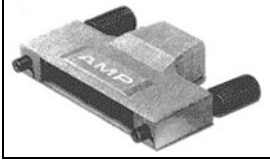
Have a Question?
 Chat with a Product Information Specialist

What can we help you find?

[Products](#) [Industries](#) [Resources](#) [About TE](#) [My Account](#) [Innovation](#) [Support Center](#)

749081-1 Product Details

[Share](#) [Print](#) [Email](#)



749081-1

TE Internal Number: 749081-1

Active

.050 Series Cable Connectors (SCSI)
 Not EU RoHS or ELV Compliant (Find RoHS Compliant Alternates)

Product Highlights:

- Hardware
- Hardware Type = Backshell Kit
- 100 Positions
- Applies To Wire/Cable
- Cable Insulation Diameter = 12.70 mm

[View all Features](#)

- Quick Links**
- ▶ [Pricing & Availability](#)
 - ▶ [Search for Tooling](#)
 - ▶ [Product Feature Selector](#)
 - ▶ [Contact Us About This Product](#)

[Add to My Part List](#) [Request Sample](#) [Find Similar Products](#) [Buy Product](#)

Documentation & Additional Information	
<p>Product Drawings:</p> <ul style="list-style-type: none"> • INDIVIDUAL KIT, BACKSHELLS WITH MALE JACKSCREWS, 100... (PDF, English) <p>Catalog Pages/Data Sheets:</p> <ul style="list-style-type: none"> • None Available <p>Product Specifications:</p> <ul style="list-style-type: none"> • Connector, AMPLIMITE, Shielded, .050 Series (PDF, English) <p>Application Specifications:</p> <ul style="list-style-type: none"> • AMPLIMITE .050 Series Cable End Insulation Displacem... (PDF, English) <p>Instruction Sheets:</p> <ul style="list-style-type: none"> • Manual Arbor Frame Assembly 58024-1 (PDF, English) • Adapter Kits for GREENERD Manual Frame Assemblies 3A... (PDF, English) • Repair Tool 58430-1 for AMPLIMITE .050 Series Connectors (PDF, English) • AMPLIMITE .050 Series Connectors (Round-to-Flat Cable) (PDF, English) • Installation and Use of Mass Termination Tooling (PDF, English) • Cover Lacing Fixture 91293-1 for AMPLIMITE .050 Seri... (PDF, English) • Seating Tool Assemblies 856371-[] for AMPLIMITE Ser... (PDF, English) • Manual Miniature Applicator Frame Assembly 91295-1 (PDF, English) • Cover Closing Kits 543508-1 and 543526-1 and Staple ... (PDF, English) • Tooling Kit 768900-1 (PDF, English) <p>CAD Files:</p> <ul style="list-style-type: none"> • None Available 	<p>Related Products:</p> <ul style="list-style-type: none"> • Tooling

[List all Documents](#)

Product Features (Please use the Product Drawing for all design activity)	
<p>Product Type Features:</p> <ul style="list-style-type: none"> • Product Type = Hardware • Mating Connector Lock = With • Mating Connector Lock Type = Male Jackscrew • Product Series = Series III • Backshell Kit Exit Style = Straight (180°) • Color = Black <p>Mechanical Attachment:</p> <ul style="list-style-type: none"> • Hardware Type = Backshell Kit <p>Dimensions:</p> <ul style="list-style-type: none"> • Cable Insulation Diameter (mm [in]) = 12.70 [0.500] <p>Body Features:</p> <ul style="list-style-type: none"> • Backshell Material = Zinc • Backshell Plating = Nickel over Copper • Jackscrew Material = Steel • Jackscrew Head Material = PVC • Jackscrew Plating = Zinc • Screw Material = Stainless Steel • Strain Relief Clip Material = Carbon Steel 	<p>Configuration Features:</p> <ul style="list-style-type: none"> • Number of Positions = 100 • Shielded = Yes <p>Industry Standards:</p> <ul style="list-style-type: none"> • RoHS/ELV Compliance = Not ELV/RoHS compliant • Lead Free Solder Processes = Not relevant for lead free process <p>Conditions for Usage:</p> <ul style="list-style-type: none"> • Applies To = Wire/Cable <p>Other:</p> <ul style="list-style-type: none"> • Brand = AMP • Comment = Each backshell kit includes upper and lower backshells, two jackscrews, one strain relief staple and two 2-56 screws. All are packaged unassembled

- Strain Relief Clip Material = Carbon Steel

Corporate Information

- [About TE](#)
- [Investors](#)
- [News Room](#)
- [Supplier Portal](#)
- [Careers](#)
- [Terms & Conditions](#)
- [Privacy Policy](#)

Quick Links

- [Distributor Inventory](#)
- [Product Cross Reference](#)
- [Documents & Drawings](#)
- [Product Compliance Support Center](#)
- [Site Map](#)

Customer Support

- [Email or Chat With Us](#)
- [Find a Phone Number](#)
- [Knowledge Base](#)
- [Manage Your Account](#)

Keep Me Informed

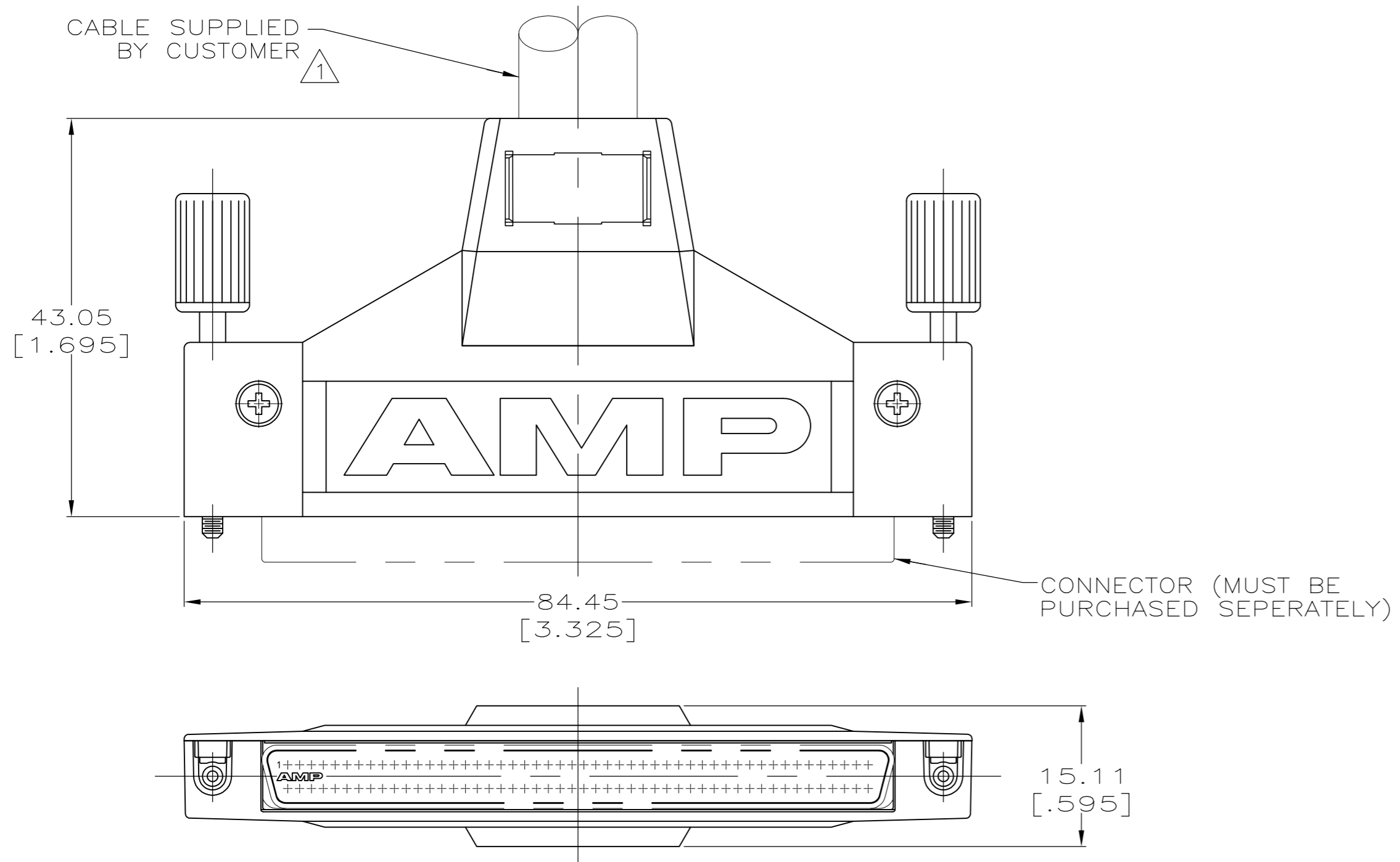


© 2013 TE Connectivity Ltd. family of companies. All Rights Reserved |

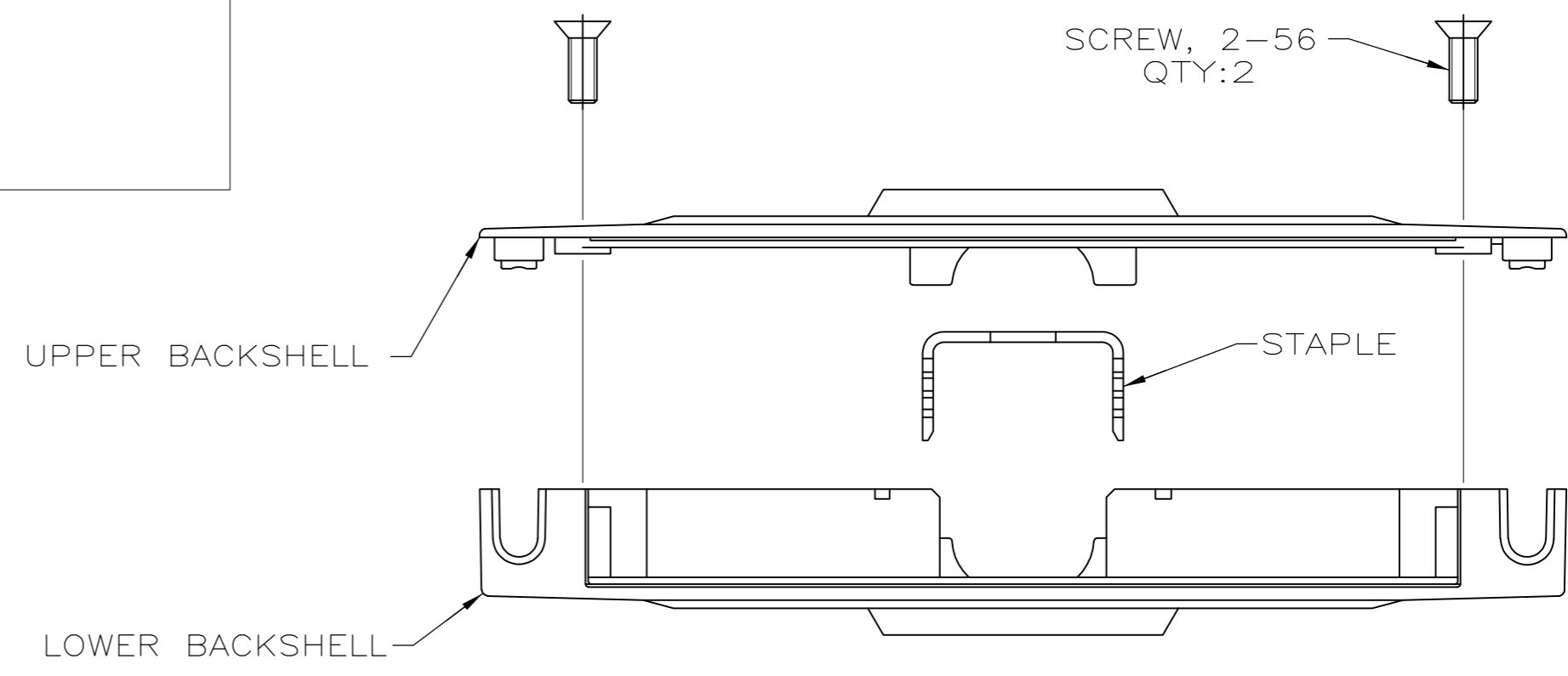
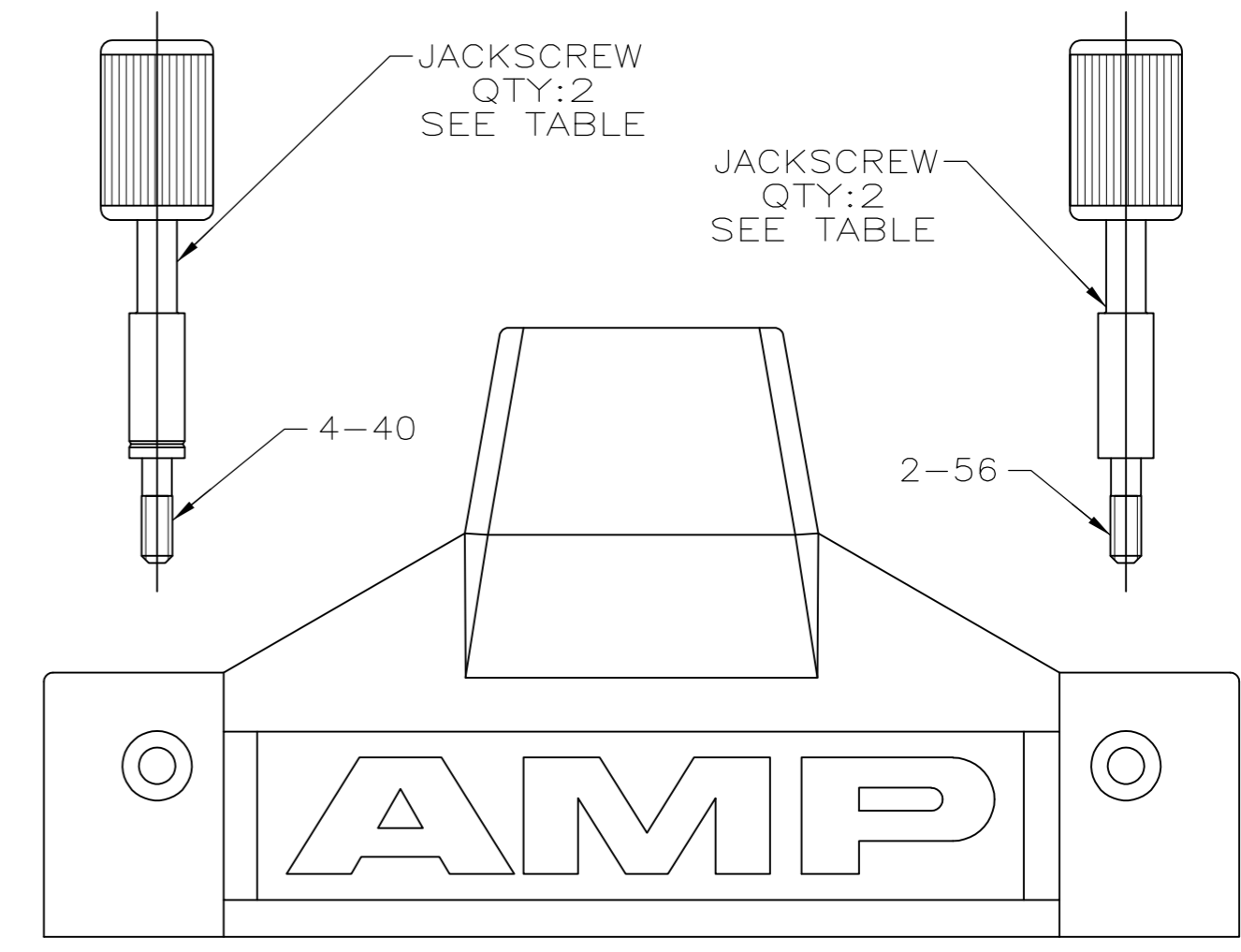
 Provide Website Feedback

THIS DRAWING IS UNPUBLISHED. RELEASED FOR PUBLICATION
 © COPYRIGHT - By - ALL RIGHTS RESERVED.

LOC		DIST		REVISIONS			
P	LTR	DESCRIPTION		DATE	DWN	APVD	
GP	00	F		REVISED PER ECO-11-012218	14JUL2011	CJV	SLB



ASSEMBLED VIEW



- 1 12.70[.500] MAX CABLE DIA.
- 2 BACKSHELLS: ZINC PER ASTM AG40A, UNS Z33521.
- 3 BACKSHELLS: NICKEL PLATED.
- 4 STAPLE, JACKSCREW BODY: STEEL PER ASTM A109.
- 5 STAPLE: BRIGHT TIN-LEAD PLATED.
- 6 JACKSCREW HEAD: POLYPROPYLENE OR NYLON, UL94V-0 RATED, BLACK.
- 7 JACKSCREWS: BLACK ZINC PLATED.
- 8 STAPLE: BRIGHT TIN PLATED.
- 9 SCREWS: STAINLESS STEEL.

SUPERSEDED BY 5749081-1	2-56	8	749081-3
OBSOLETE	4-40	5	749081-2
	2-56	5	749081-1
	JACKSCREW THREAD	STAPLE FINISH	PART NO

THIS DRAWING IS A CONTROLLED DOCUMENT.		DWN	JACK ROOT	11-23-88	TE TE Connectivity			
DIMENSIONS: mm [INCHES]		CHK	M.WATERS	12-01-88				
TOLERANCES UNLESS OTHERWISE SPECIFIED:		APVD	-	-	INDIVIDUAL KIT, BACKSHELLS WITH MALE JACKSCREWS, 100 POSITION AMPLIMITE .050 SERIES			
0 PLC ± -		PRODUCT SPEC	-	-				
1 PLC ± -		APPLICATION SPEC	-	-	SIZE	CAGE CODE	DRAWING NO	RESTRICTED TO
2 PLC ± 0.38 [.015]		WEIGHT	-	-	A2	00779	C=749081	-
3 PLC ± -		CUSTOMER DRAWING		SCALE	2:1	SHEET	1 of 1	REV
4 PLC ± -								F
ANGLES ± -								
FINISH								
2 4 6 9								
3 5 7 8								