

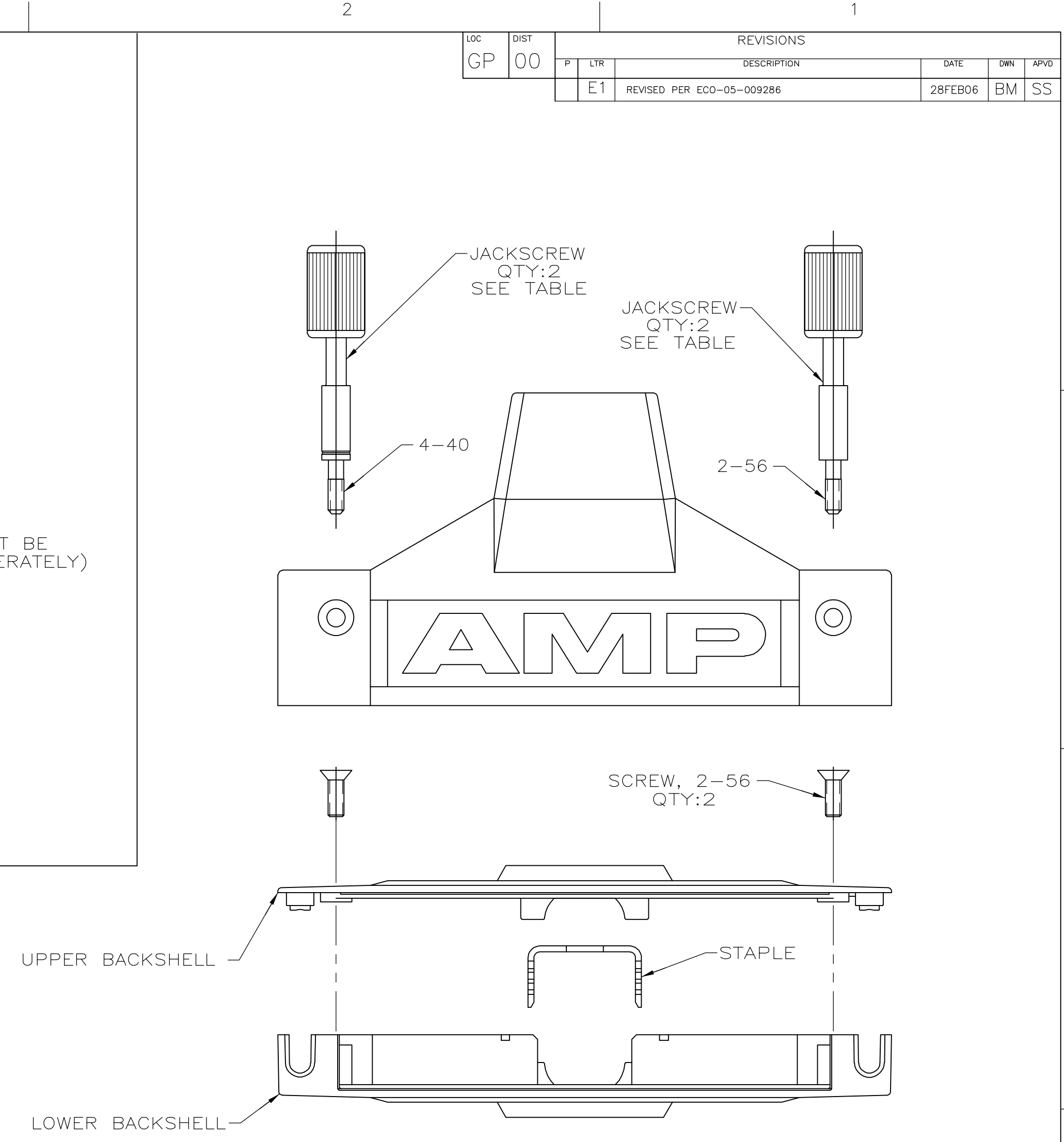
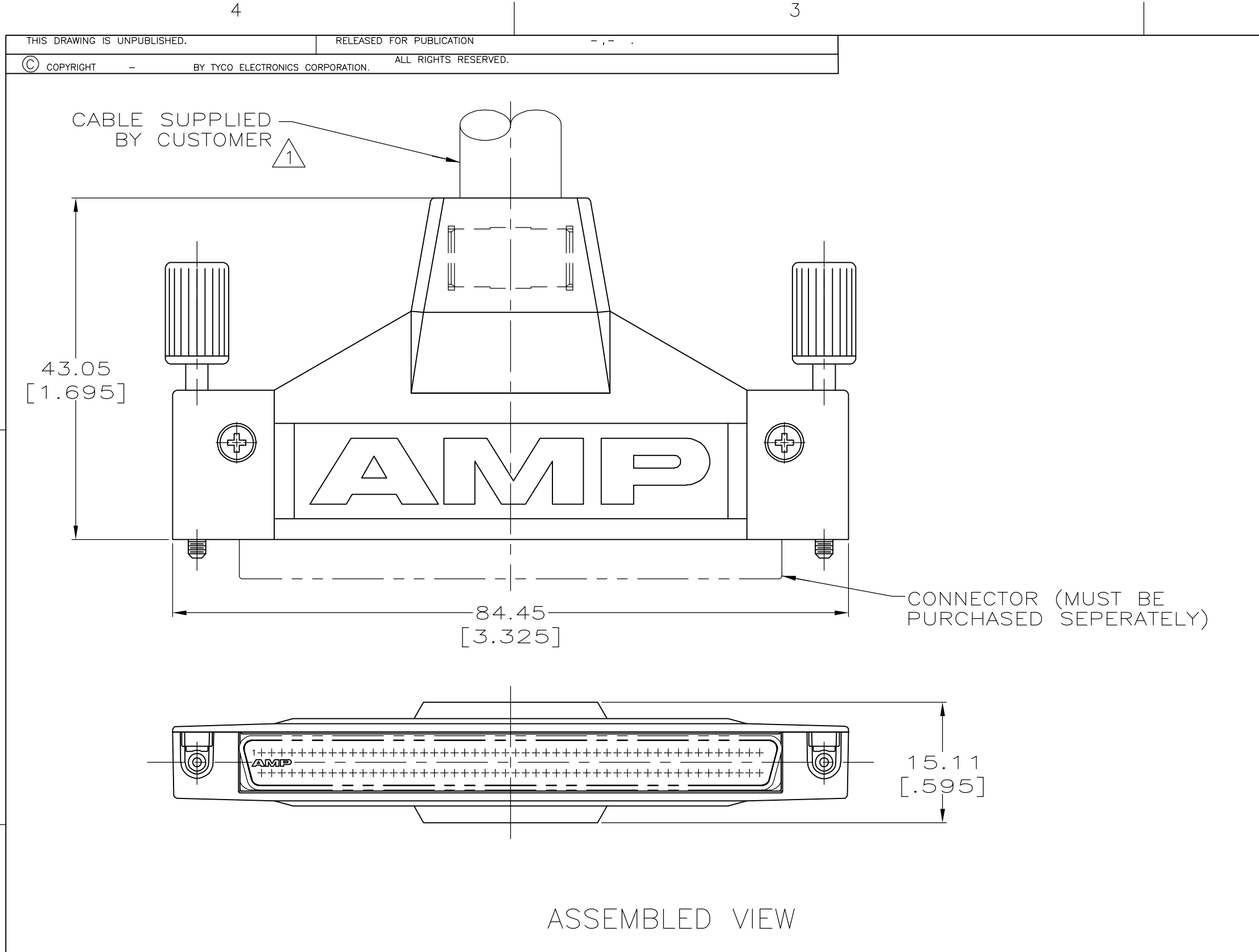
Distributed by:

**JAMECO**<sup>®</sup>  
ELECTRONICS

**www.Jameco.com ♦ 1-800-831-4242**

The content and copyrights of the attached  
material are the property of its owner.

Jameco Part Number 758495



SUPERSEDED BY 5749081-1	2-56	⑧	749081-3
	4-40	⑤	749081-2
	2-56	⑤	749081-1
	JACKSCREW THREAD	STAPLE FINISH	PART NO

THIS DRAWING IS A CONTROLLED DOCUMENT.		DWN JACK ROOT 11-23-88	<b>tyco</b> Electronics	Tyco Electronics Corporation Harrisburg, PA 17105-3608	
DIMENSIONS: mm [INCHES]		CHK M. WATERS 12-01-88		NAME	
TOLERANCES UNLESS OTHERWISE SPECIFIED:		APVD -	PRODUCT SPEC		
0 PLC ± -		APVD -	APPLICATION SPEC		
1 PLC ± -		APVD -	WEIGHT		
2 PLC ± 0.38 [.015]		APVD -	SIZE A2	CAGE CODE 00779	DRAWING NO C-749081
3 PLC ± -		APVD -	RESTRICTED TO		
4 PLC ± -		APVD -	CUSTOMER DRAWING		
ANGLES ± -		APVD -	SCALE 2:1		
MATERIAL		APVD -	SHEET 1 of 1		
FINISH		APVD -	REV E1		