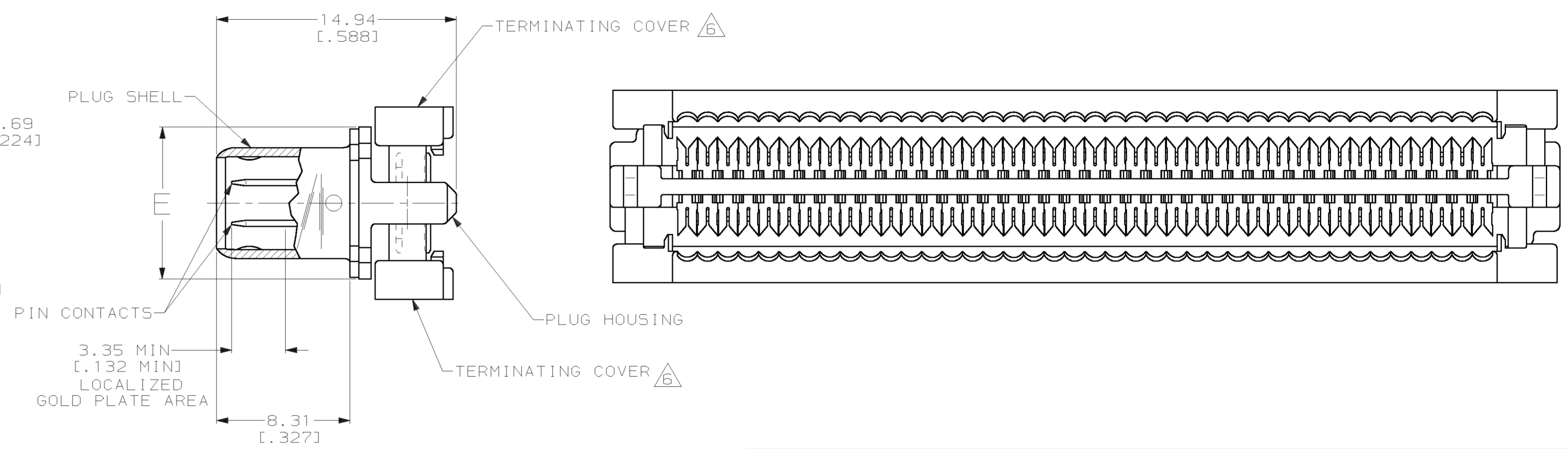
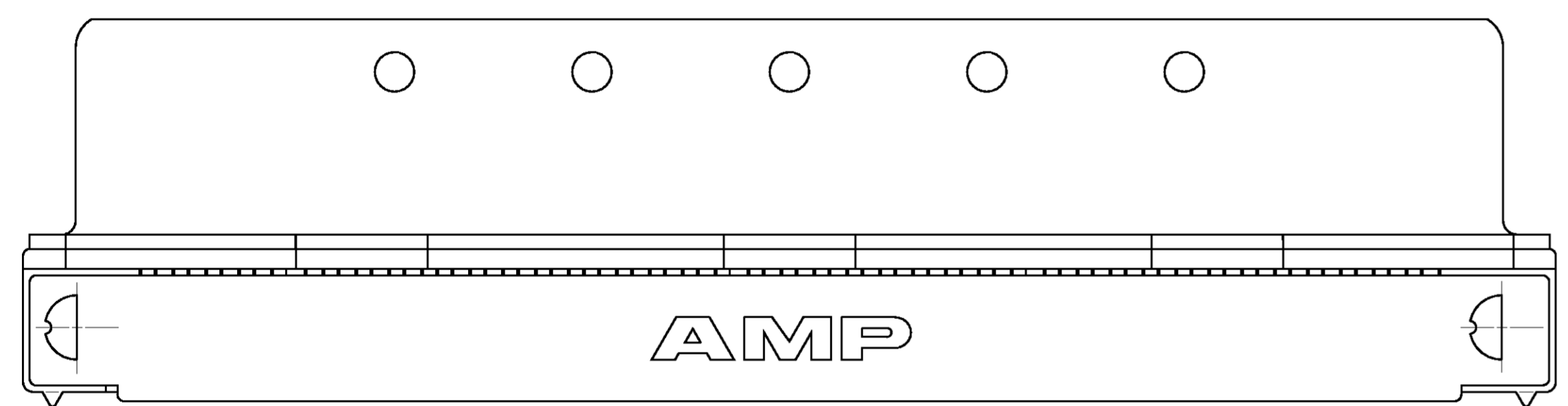
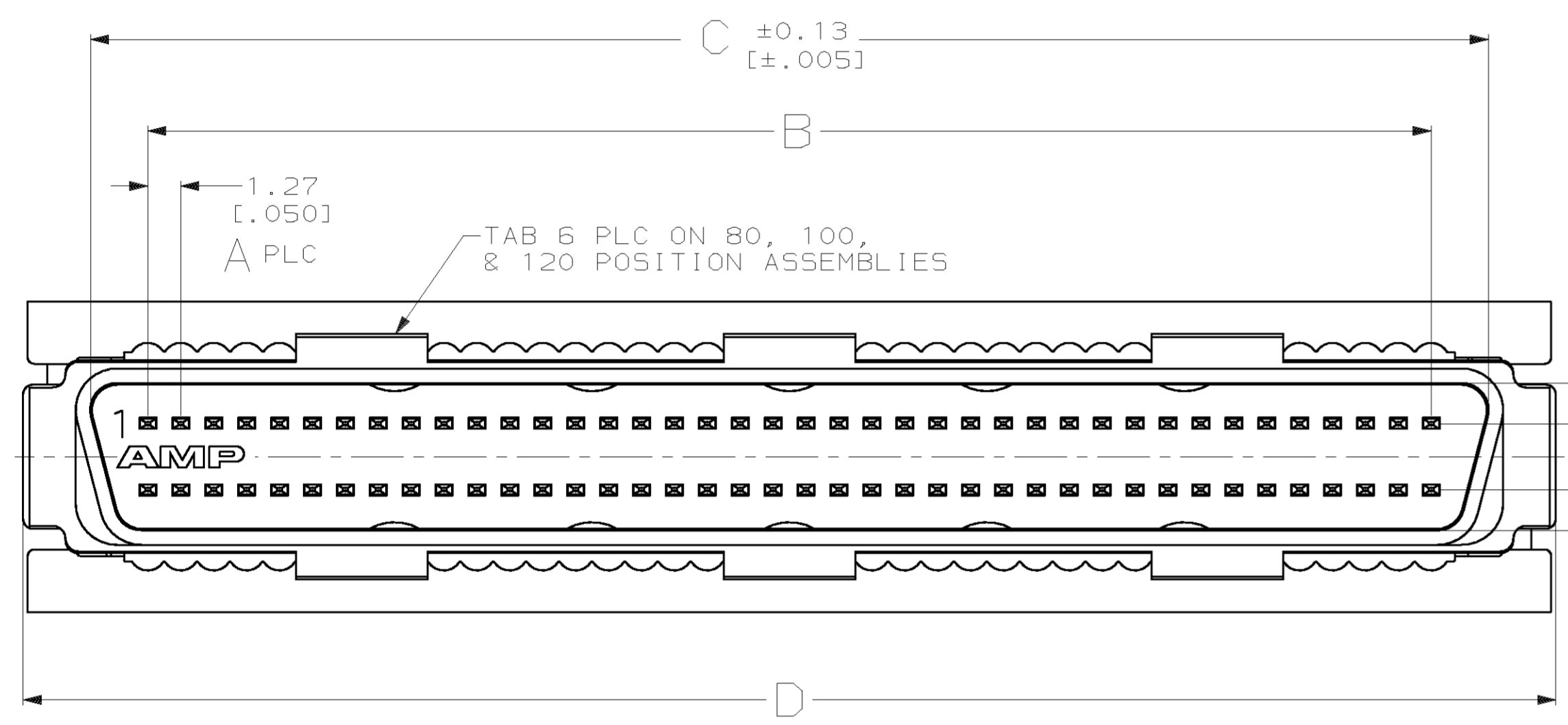


REVISONS				DATE	APPD
LOC	DIST	P	F	DESCRIPTION	
GP	00			U REVISED PER EC 0513-0174-03	16JUN03 JG



9.47 [.373]	71.86 [2.829]	66.60 [2.622]	62.23 [2.450]	49	△9	△11	100	1-749621-8
7.44 [.293]	40.11 [1.579]	34.85 [1.372]	30.48 [1.200]	24	△9	△11	50	1-749621-7
7.44 [.293]	51.54 [2.029]	46.28 [1.822]	41.91 [1.650]	33	△10	△3	68	1-749621-6
7.44 [.293]	40.11 [1.579]	34.85 [1.372]	30.48 [1.200]	24	△9	△4	50	△5 1-749621-5
7.44 [.293]	31.22 [1.229]	25.96 [1.022]	21.59 [.850]	17	△9	△3	36	△8 1-749621-1
9.47 [.373]	84.56 [3.329]	79.30 [3.122]	74.93 [2.950]	59	△9	△3	120	1-749621-0
9.47 [.373]	71.86 [2.829]	66.60 [2.622]	62.23 [2.450]	49	△9	△3	100	749621-9
9.47 [.373]	59.16 [2.329]	53.90 [2.122]	49.53 [1.950]	39	△9	△3	80	749621-8
7.44 [.293]	51.54 [2.029]	46.28 [1.822]	41.91 [1.650]	33	△9	△3	68	749621-7
7.44 [.293]	46.46 [1.829]	41.20 [1.622]	36.83 [1.450]	29	△9	△3	60	△8 749621-6
7.44 [.293]	40.11 [1.579]	34.85 [1.372]	30.48 [1.200]	24	△9	△3	50	749621-5
7.44 [.293]	33.76 [1.329]	28.50 [1.122]	24.13 [.950]	19	△9	△3	40	749621-4
7.44 [.293]	26.14 [1.029]	20.88 [.822]	16.51 [.650]	13	△9	△3	28	749621-3
7.44 [.293]	24.87 [.979]	19.61 [.772]	15.24 [.600]	12	△9	△3	26	749621-2
7.44 [.293]	21.06 [.829]	15.80 [.622]	11.43 [.450]	9	△9	△3	20	749621-1

- △1 PIN CONTACTS: PHOSPHOR BRONZE.
PLUG SHELL: STEEL.
PLUG HOUSING AND TERMINATING COVERS: THERMOPLASTIC, BLACK, UL V-0 RATED.
- △2 0.25µm[.000010] MIN TIN-NICKEL OVER 3.81µm[.000150] MIN NICKEL OVER 2.54 µm [.000100] MIN COPPER.
- △3 0.76µm[.000030] MIN GOLD IN LOCALIZED GOLD PLATE AREA, 1.52µm[.000060] MIN TIN-LEAD IN TERMINATION AREA, ALL OVER 1.27µm[.000050] MIN NICKEL.
- △4 GOLD FLASH IN LOCALIZED GOLD PLATE AREA, 1.52µm[.000060] MIN TIN-LEAD IN TERMINATION AREA, ALL OVER 1.27µm[.000050] MIN NICKEL.
- △5 500 CYCLES DURABILITY PER 108-1228 DOES NOT APPLY FOR CONNECTORS WITH LESS THAN 0.76µm[.000030] THICK GOLD.
- △6 TERMINATING COVERS ARE PACKAGED SEPARATELY.
- 7. RECOMMENDED WIRE:
28 AWG OR 30 AWG, SOLID OR 7 STRAND, WITH A 0.74-0.91 [.029-.036] INSULATION DIAMETER. WIRE MUST BE APPROVED BY AMP INCORPORATED.
- △8 OBSOLETE PART NUMBER.
- △9 2.54µm-7.62µm[.000100-.000300] TIN-NICKEL OVER 3.81µm-5.08µm[.000150-.000200] NICKEL OVER 2.54µm[.000100] MIN COPPER.
- △10 5.08µm-10.16µm[.000200-.000400] TIN-LEAD OVER 1.27µm-2.54µm[.000050-.000100] COPPER. LUBRICATED AFTER PLATING.
- △11 0.76µm[.000030] MIN GOLD IN LOCALIZED GOLD PLATE AREA, 3.00µm[.000100] MIN TIN IN TERMINATION AREA, ALL OVER 1.27µm[.000050] MIN NICKEL.

E	D	C	B	A	SHELL FINISH	CONTACT FINISH	NO OF POSN	PART NO
DO NOT SCALE PRINT. UNLESS SPECIFIED DIMENSIONS IN mm [INCHES] TOLERANCES ON: 2 PLC DEC ±0.38 [.015] 3 PLC DEC ± ANGLES ± -					DR 03/31/89 M.E. SHIRK CHK 04/03/89 JOHN A. ROOT APPD 04/04/89 WAYNE S. DAVIS APPD 04/04/89 ROBERT WHITEMAN PRODUCT SPEC 108-1228 △5		AMP AMP INCORPORATED Harrisburg, Pa. 17105	
MATERIAL △1					NAME		KIT, PLUG ASSEMBLY, AMPLIMITE®.050 Series	
FINISH SHELL: SEE TABLE CONTACTS: SEE TABLE					APPLICATION SPEC 114-40029		SIZE D	FSCM NO 00779
					WEIGHT		DRAWING NO 749621	SHEET 1 OF 1
					SCALE 5:1			