

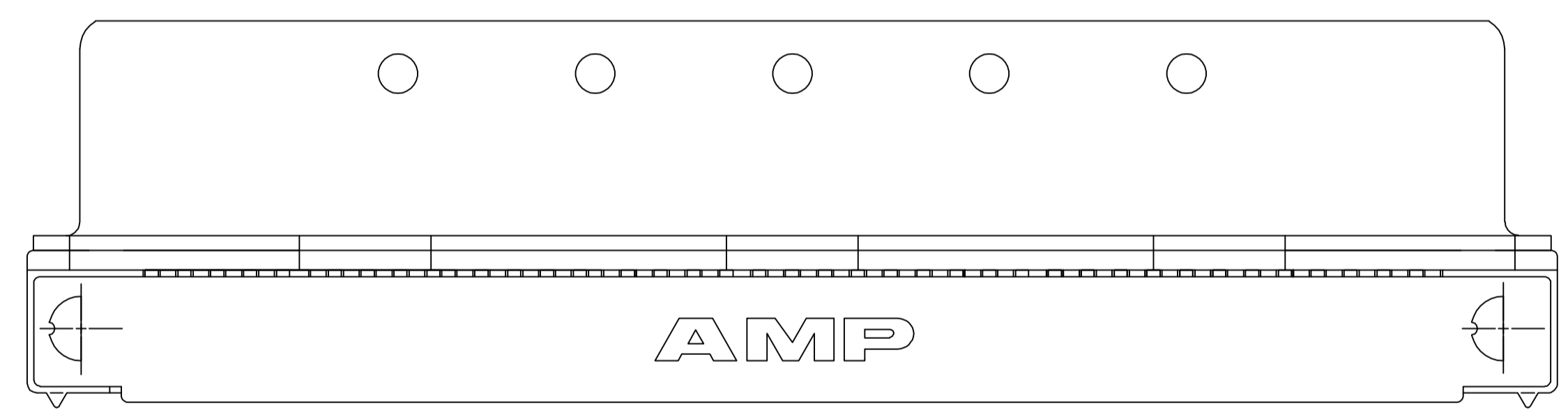
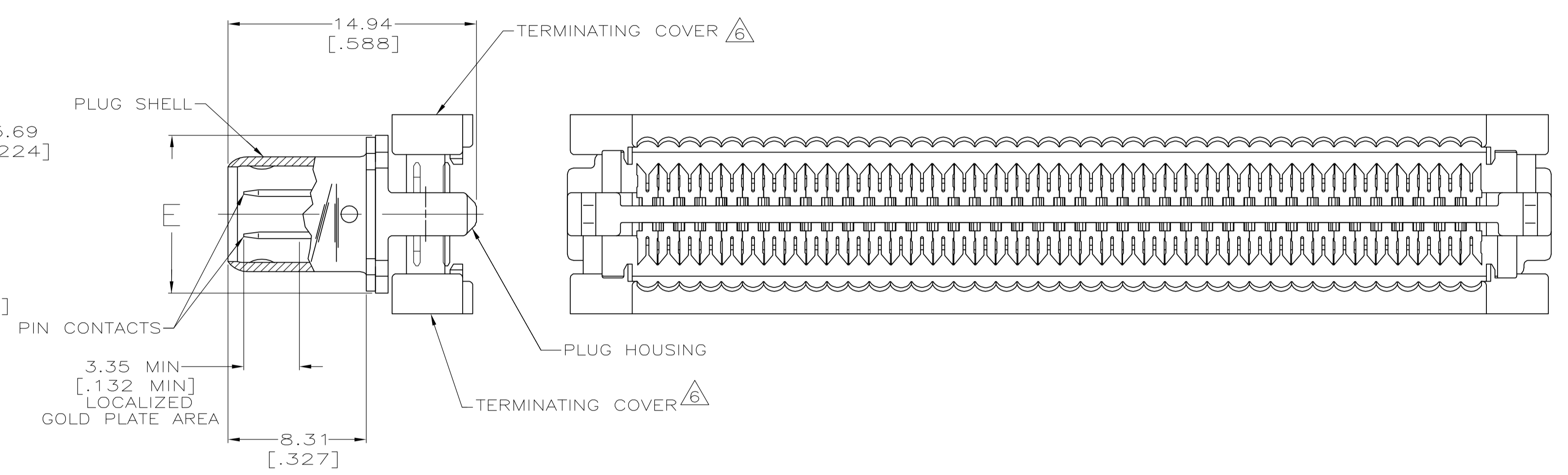
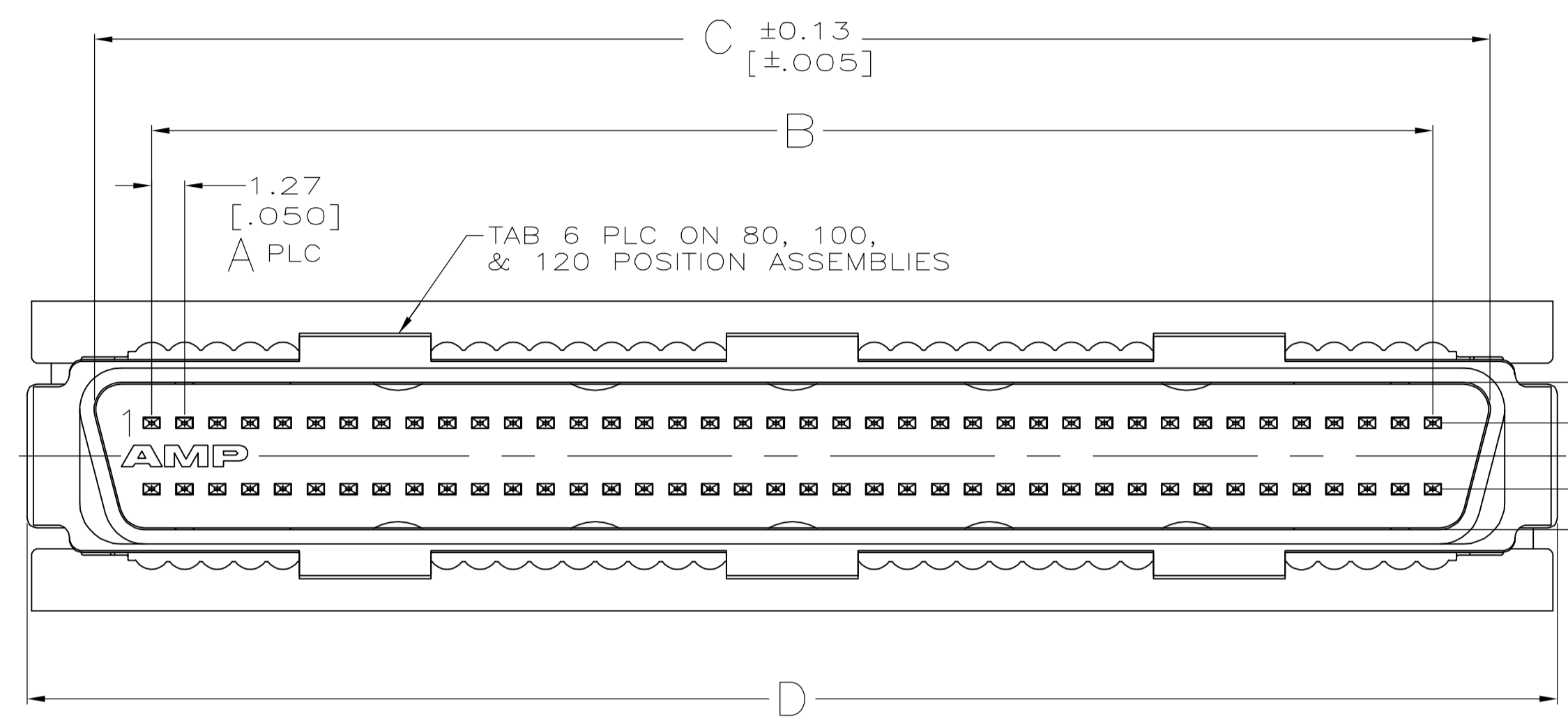
Distributed by:

JAMECO[®]
ELECTRONICS

www.Jameco.com ♦ 1-800-831-4242

The content and copyrights of the attached
material are the property of its owner.

Jameco Part Number 838495



- △ PIN CONTACTS: PHOSPHOR BRONZE.
PLUG SHELL: STEEL.
PLUG HOUSING AND TERMINATING COVERS: THERMOPLASTIC, BLACK, UL V-O RATED.
- △ 0.25 μm [.000010] MIN TIN-NICKEL OVER 3.81 μm [.000150] MIN NICKEL OVER 2.54 μm [.000100] MIN COPPER.
- △ 0.76 μm [.000030] MIN GOLD IN LOCALIZED GOLD PLATE AREA, 1.52 μm [.000060] MIN TIN-LEAD IN TERMINATION AREA, ALL OVER 1.27 μm [.000050] MIN NICKEL.
- △ GOLD FLASH IN LOCALIZED GOLD PLATE AREA, 1.52 μm [.000060] MIN TIN-LEAD IN TERMINATION AREA, ALL OVER 1.27 μm [.000050] MIN NICKEL.
- △ 500 CYCLES DURABILITY PER 108-1228 DOES NOT APPLY FOR CONNECTORS WITH LESS THAN 0.76 μm [.000030] THICK GOLD.
- △ TERMINATING COVERS ARE PACKAGED SEPARATELY.
- 7. RECOMMENDED WIRE:
28 AWG OR 30 AWG, SOLID OR 7 STRAND, WITH A 0.74-0.91 [.029-.036] INSULATION DIAMETER. WIRE MUST BE APPROVED BY AMP INCORPORATED.
- △ OBSOLETE PART NUMBER.
- △ 2.54 μm - 7.62 μm [.000100 - .000300] TIN-NICKEL OVER 3.81 μm - 5.08 μm [.000150 - .000200] NICKEL OVER 2.54 μm [.000100] MIN COPPER.
- △ 5.08 μm - 10.16 μm [.000200 - .000400] TIN-LEAD OVER 1.27 μm - 2.54 μm [.000050 - .000100] COPPER. LUBRICATED AFTER PLATING.
- △ 0.76 μm [.000030] MIN GOLD IN LOCALIZED GOLD PLATE AREA, 3.00 μm [.000100] MIN TIN IN TERMINATION AREA, ALL OVER 1.27 μm [.000050] MIN NICKEL.

9.47 [.373]	71.86 [2.829]	66.60 [2.622]	62.23 [2.450]	49	△9	△11	100	1-749621-8
7.44 [.293]	40.11 [1.579]	34.85 [1.372]	30.48 [1.200]	24	△9	△11	50	1-749621-7
7.44 [.293]	51.54 [2.029]	46.28 [1.822]	41.91 [1.650]	33	△10	△3	68	1-749621-6
7.44 [.293]	40.11 [1.579]	34.85 [1.372]	30.48 [1.200]	24	△9	△4	50	△5 1-749621-5
7.44 [.293]	31.22 [1.229]	25.96 [1.022]	21.59 [.850]	17	△9	△3	36	△8 1-749621-1
9.47 [.373]	84.56 [3.329]	79.30 [3.122]	74.93 [2.950]	59	△9	△3	120	1-749621-0
9.47 [.373]	71.86 [2.829]	66.60 [2.622]	62.23 [2.450]	49	△9	△3	100	749621-9
9.47 [.373]	59.16 [2.329]	53.90 [2.122]	49.53 [1.950]	39	△9	△3	80	749621-8
7.44 [.293]	51.54 [2.029]	46.28 [1.822]	41.91 [1.650]	33	△9	△3	68	749621-7
7.44 [.293]	46.46 [1.829]	41.20 [1.622]	36.83 [1.450]	29	△9	△3	60	△8 749621-6
7.44 [.293]	40.11 [1.579]	34.85 [1.372]	30.48 [1.200]	24	△9	△3	50	749621-5
7.44 [.293]	33.76 [1.329]	28.50 [1.122]	24.13 [.950]	19	△9	△3	40	749621-4
7.44 [.293]	26.14 [1.029]	20.88 [.822]	16.51 [.650]	13	△9	△3	28	749621-3
7.44 [.293]	24.87 [.979]	19.61 [.772]	15.24 [.600]	12	△9	△3	26	749621-2
7.44 [.293]	21.06 [.829]	15.80 [.622]	11.43 [.450]	9	△9	△3	20	749621-1
E	D	C	B	A	SHELL FINISH	CONTACT FINISH	NO OF POSN	PART NUMBER

OBSOLETE

THIS DRAWING IS A CONTROLLED DOCUMENT. DWN: M.E. SHIRK 03/31/89
 CHK: JOHN A. ROOT 04/03/89

DIMENSIONS: INCHES	TOLERANCES UNLESS OTHERWISE SPECIFIED:	PRODUCT SPEC	108-1228
0 PLC ± -	1 PLC ± -	APPLICATION SPEC	114-40029
2 PLC ± -	3 PLC ± -	SIZE	A1
4 PLC ± -	ANGLES ± -	CAGE CODE	00779
MATERIAL	FINISH	DRAWING NO	749621
	SHELL: SEE TABLE	RESTRICTED TO	
		CUSTOMER DRAWING	

tyco Electronics Tyco Electronics Corporation Harrisburg, PA 17105-3608
 KIT, PLUG ASSEMBLY, AMPLIMITE .050 Series
 SCALE 5:1 SHEET 1 OF 1 REV U1