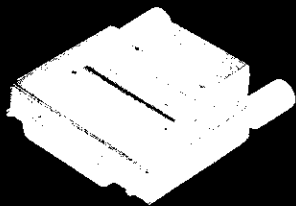


AMPLIMITE .050 Series Shielded Backshell Kits, With Jackscrews, Series III

AMPLIMITE .050 Series Connectors, Series III



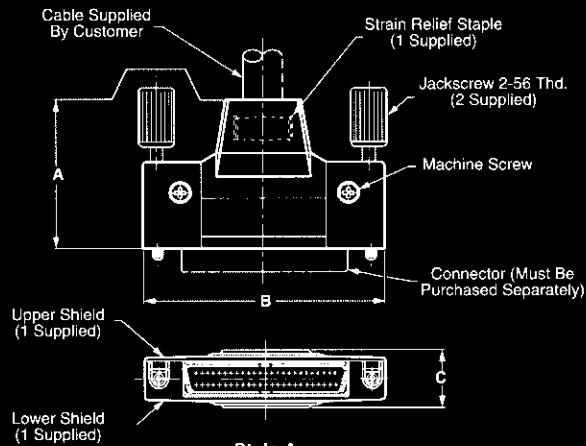
Straight Exit Male Jackscrews Style A



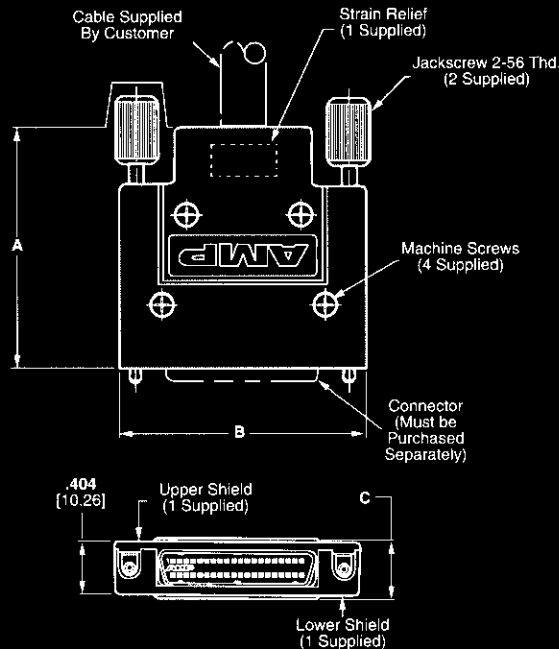
Straight Exit Male Jackscrews Style B



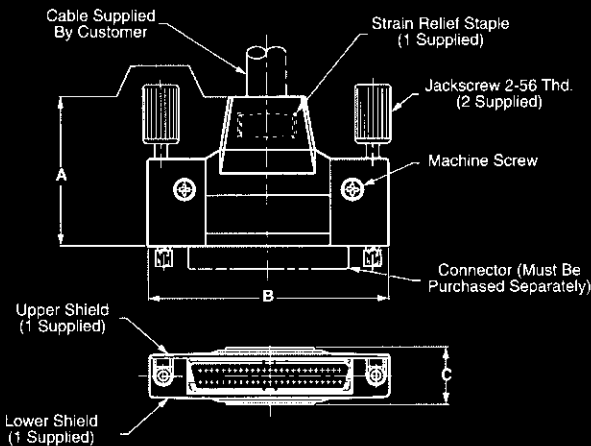
Straight Exit Female Jackscrews Style A



Style A Straight Exit Male Jackscrews



Style B Straight Exit Male Jackscrews



Style A Straight Exit Female Jackscrews

Materials:

- Jackscrews**—Stainless steel or steel, black electroless nickel plated
- Jackscrew Caps**—Polyolefin or PVC, black
- 2-56 Screws**—Stainless steel
- Backshell**—Zinc, plated nickel over copper
- Strain Relief Staple**—Steel, plated tin-lead over nickel

Technical Documents:

- Product Specifications**—108-1228
- Application Specifications**—114-40029
- Instruction Sheet**—408-9427