

THIS DRAWING IS UNPUBLISHED.

RELEASED FOR PUBLICATION

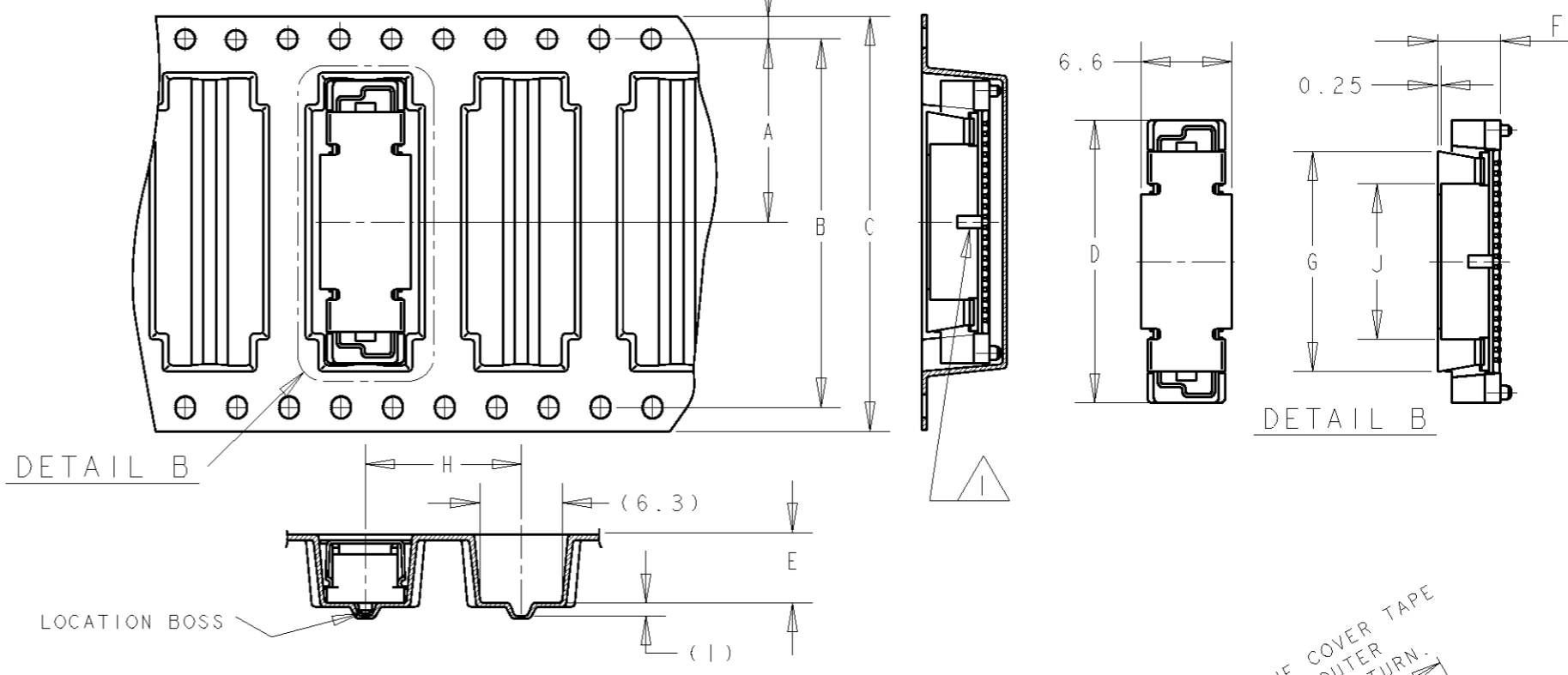
© COPYRIGHT - BY - ALL RIGHTS RESERVED.

LOC		DIST		REVISIONS					
DY		-		P	LTR	DESCRIPTION	DATE	DWN	APVD
				E1		REVISED PER ECO-11-005139	19MAR11	RK	HMR

Notes:

- 1 CUTOUT FEATURE AVAILABLE ONLY ON 5H ASSY P/N -1 (40P) AND -2 (60P).
- 2 0.00038 MIN GOLD PLATING (15u INCHES GOLD PLATING)

DIRECTION OFF TOP OF REEL

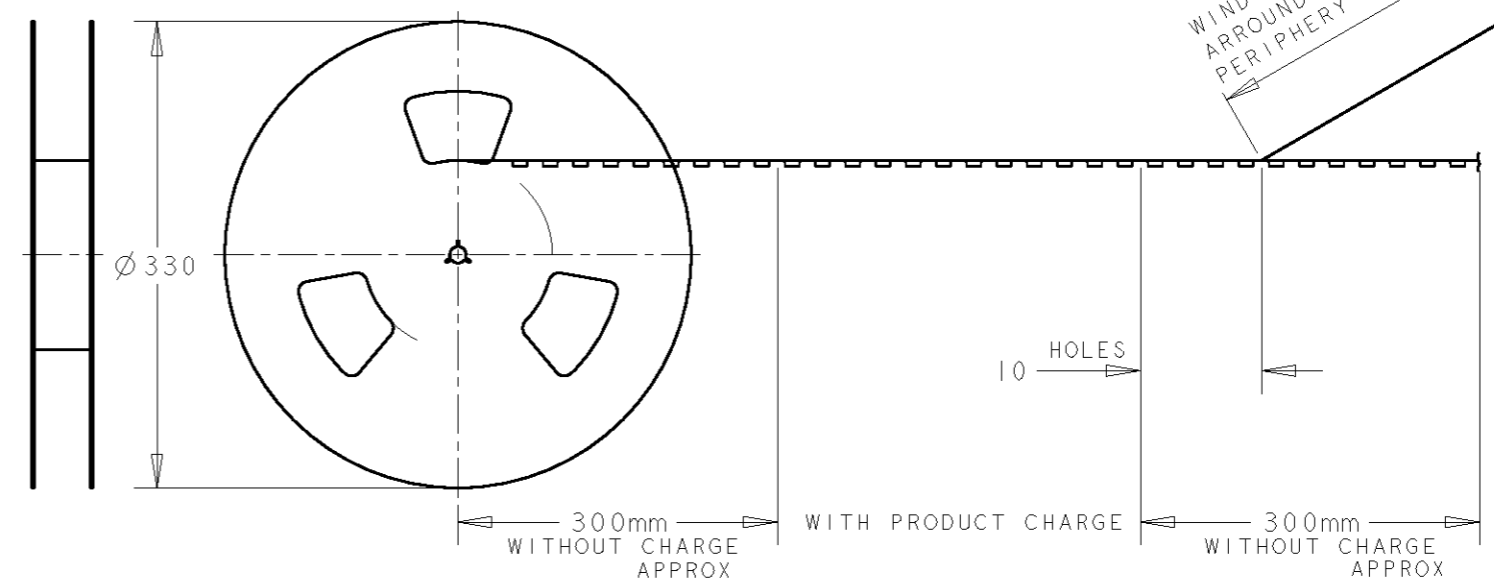


DETAIL B

DETAIL B

LOCATION BOSS

WINDING THE COVER TAPE AROUND THE OUTER PERIPHERY IN A TURN.



HEIGHT	TYPE	J	H	G	F	E	D	C	B	A	POS	CONN	P/N	PART NO.	
450	16						61.8	88	84.4	42.2	140	1-	-6	7-	-6
700	7H	12					53.8	88	84.4	42.2	120	1-	-5	7-	-5
550	16						45.8	72	68.4	34.2	100	1-	-4	7-	-4
800	6H	12					37.8	56	52.4	26.2	80	1-	-3	7-	-3
900	5H	12	12	17	4.85	5.25	29.8	44	40.4	20.2	60	1-	-2	7-	-2
450	7H	12	16	17	6.85	7.25	21.8	32	28.4	14.2	40	1-5179030-1	7-5177986-1		
400	16						69.8	88	84.4	42.2	160		-8	6-	-8
600	8H	12					61.8	88	84.4	42.2	140		-6	6-	-6
450	16						53.8	88	84.4	42.2	120		-5	6-	-5
700	7H	12					45.8	72	68.4	34.2	100		-4	6-	-4
550	16						37.8	56	52.4	26.2	80		-3	6-	-3
800	6H	12					29.8	44	40.4	20.2	60		-2	6-	-2
900	5H	12	12	17	4.85	5.25	21.8	32	28.4	14.2	40	5084614-1	6-5177986-1		
450	7H	12	16	17	6.85	7.25	69.8	88	84.4	42.2	160		-8	5-	-8
400	16						61.8	88	84.4	42.2	140		-6	5-	-6
600	8H	12					53.8	88	84.4	42.2	120		-5	5-	-5
450	16						45.8	72	68.4	34.2	100		-4	5-	-4
700	7H	12					37.8	56	52.4	26.2	80		-3	5-	-3
550	16						29.8	44	40.4	20.2	60		-2	5-	-2
800	6H	12					21.8	32	28.4	14.2	40	5179030-1	2-5177986-1		
900	5H	12	12	17	4.85	5.25	61.8	88	84.4	42.2	140		-6	1-	-6
450	16						53.8	88	84.4	42.2	120		-5	1-	-5
700	7H	12					45.8	72	68.4	34.2	100		-4	1-	-4
550	16						37.8	56	52.4	26.2	80		-3	1-	-3
800	6H	12					29.8	44	40.4	20.2	60		-2	1-	-2
900	5H	12	12	17	4.85	5.25	21.8	32	28.4	14.2	40	5179029-1	1-5177986-1		

DIMENSIONS: mm		TOLERANCES UNLESS OTHERWISE SPECIFIED: 0 PLC ±0.3 1 PLC ±0.25 2 PLC ±0.2 3 PLC ±0.2 4 PLC ±0.2 ANGLES ±3°		DWN FLORENCE TAN 30AUG04	STE TE Connectivity
MATERIAL -		FINISH -		CHK ERIC TNG	
APVD SE I FONG		PRODUCT SPEC 108-5390		NAME PLUG ASSEMBLY (0.5 BOSS LENGTH) FOR FH 0.8 B-T-B CONN. ON TAPING	
APPLICATION SPEC 114-5254		WEIGHT -		SIZE A3	CAGE CODE 00779
CUSTOMER DRAWING		SCALE 2:1		DRAWING NO C=5177986	SHEET 1 OF 1
				REV E1	