

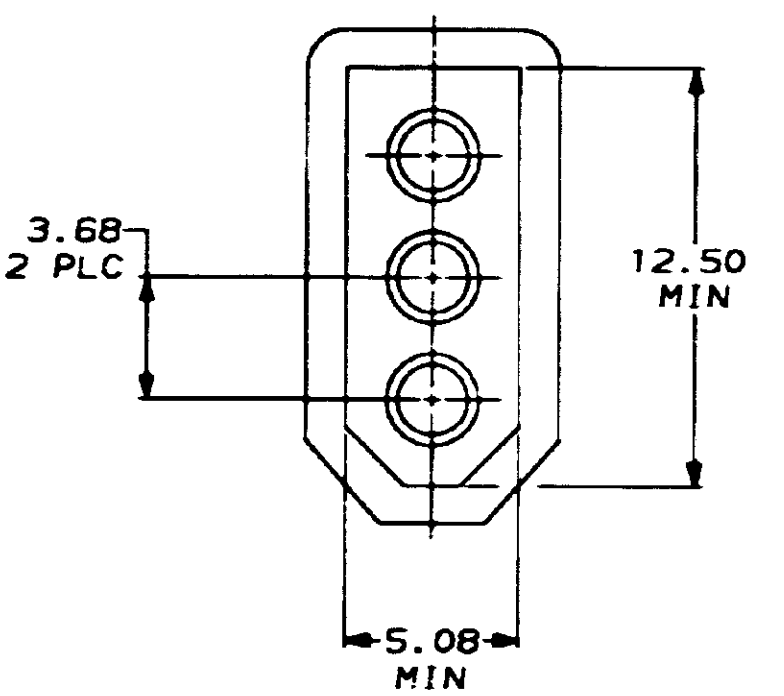
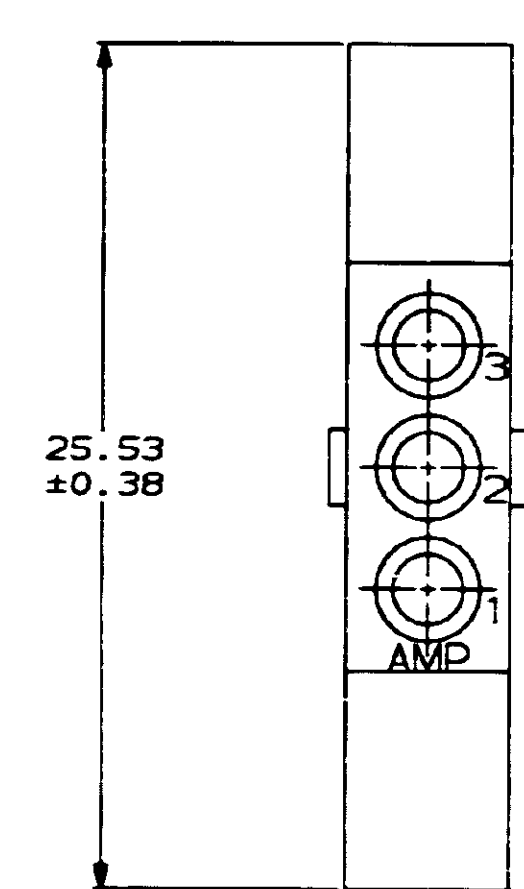
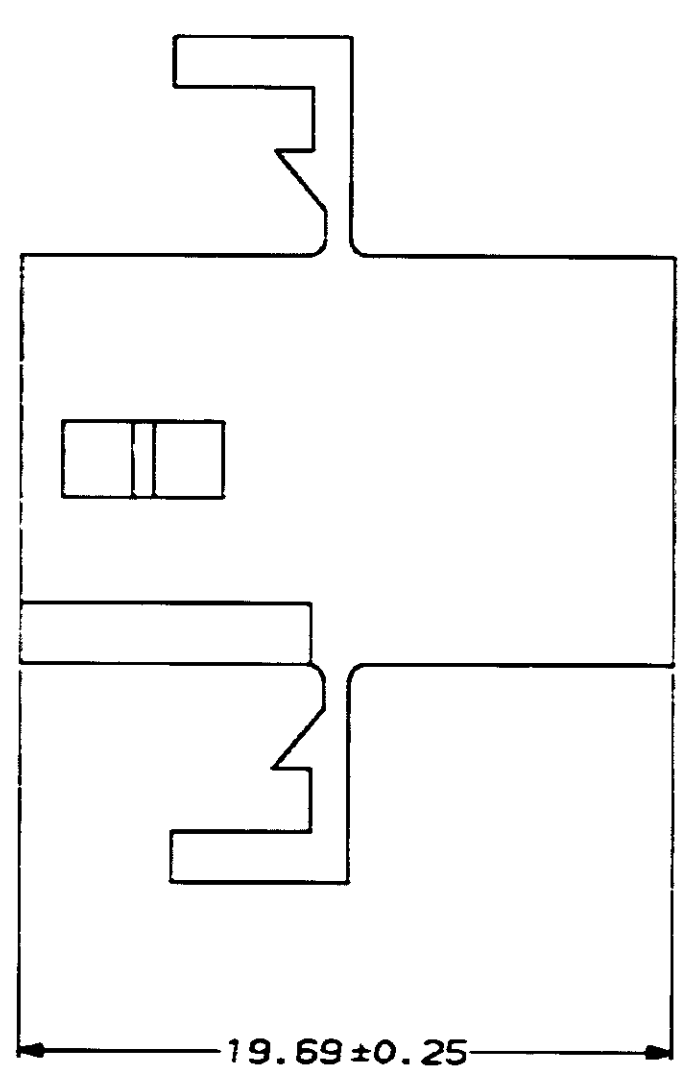
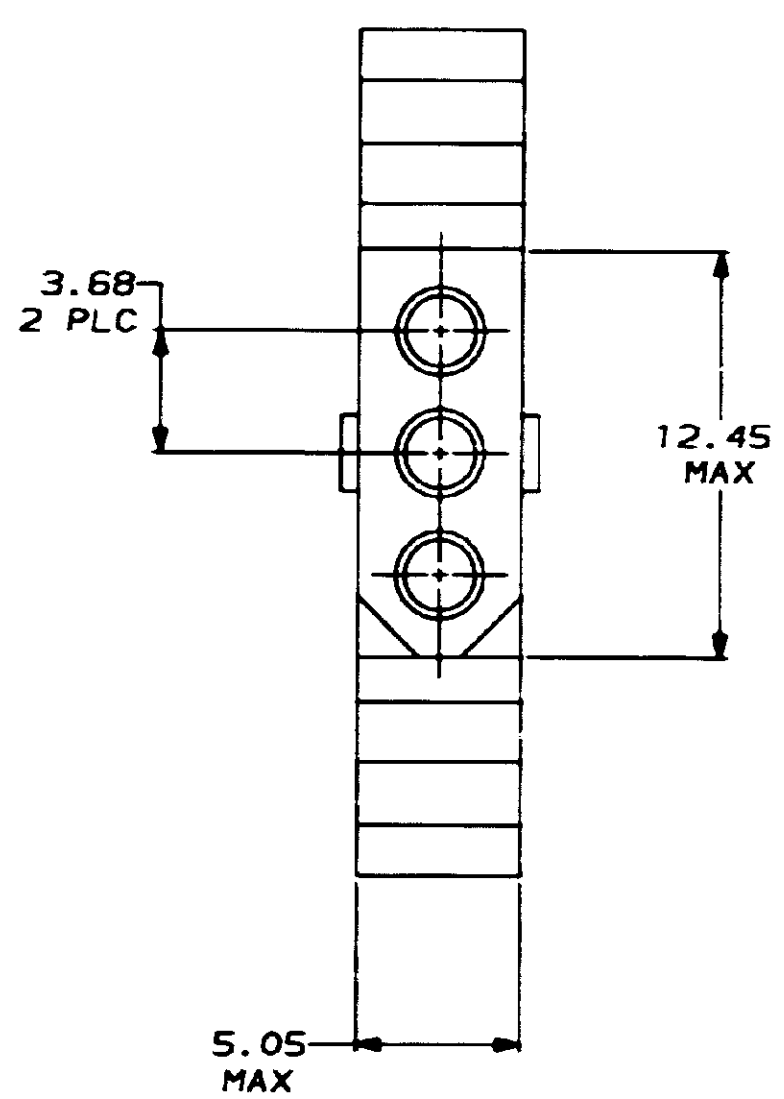
Distributed by:

JAMECO[®]
ELECTRONICS

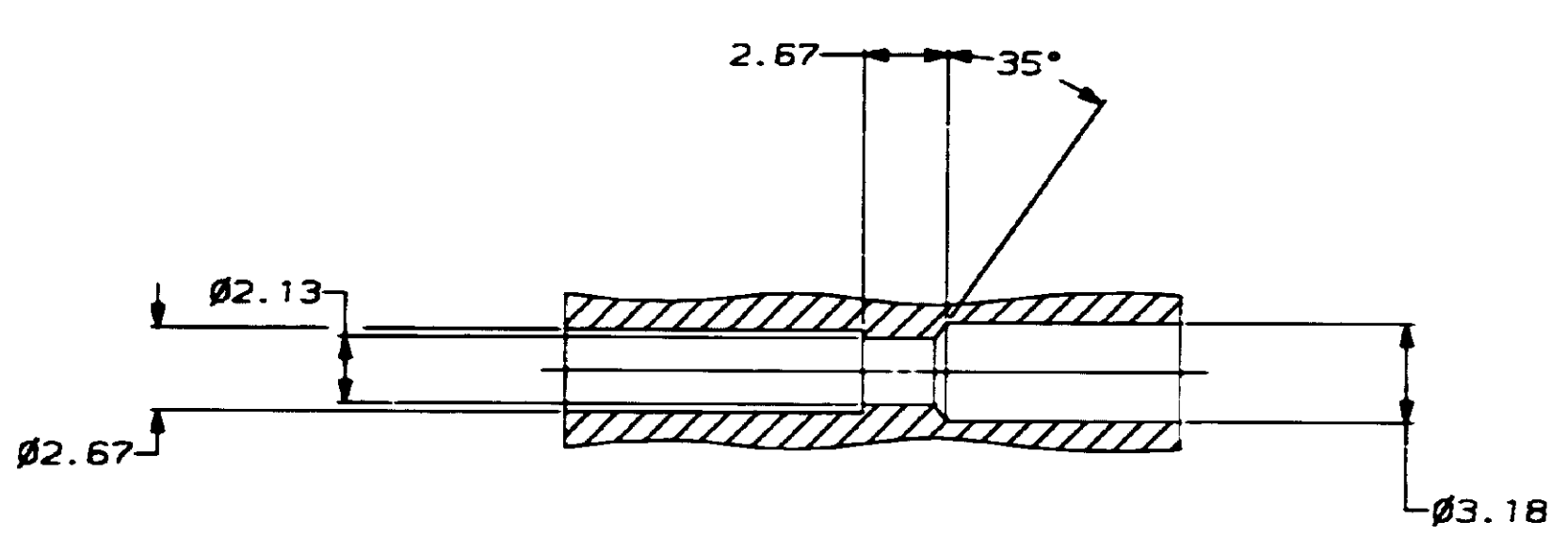
www.Jameco.com ♦ 1-800-831-4242

The content and copyrights of the attached
material are the property of its owner.

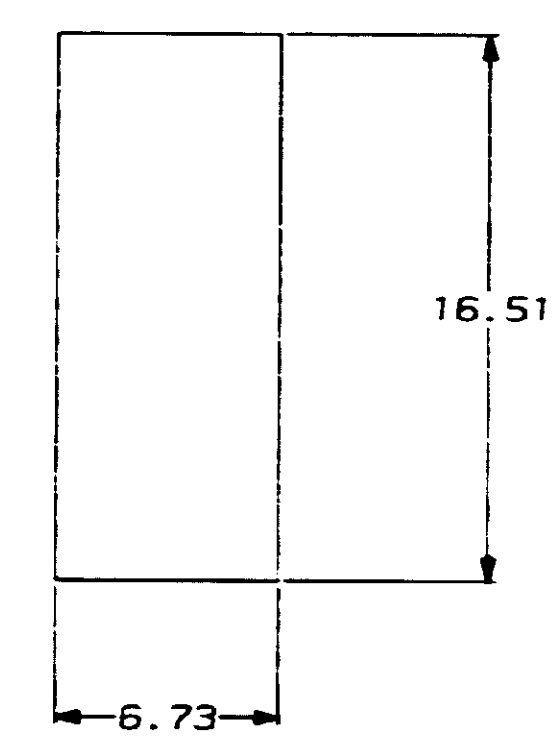
Jameco Part Number 758874



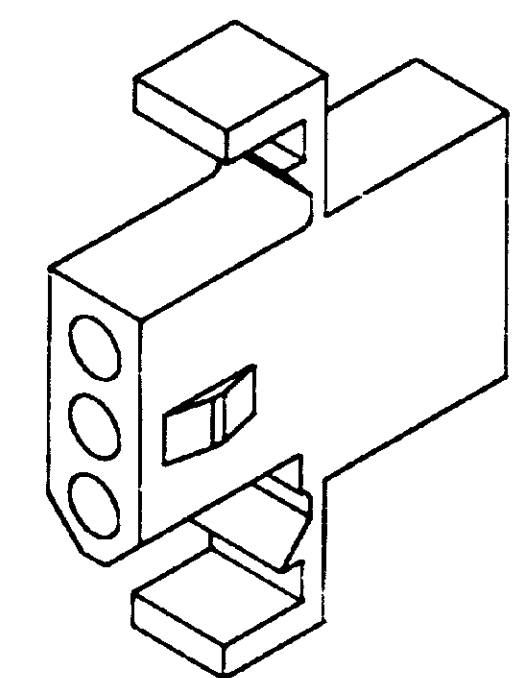
MATING CONNECTOR INTERFACE



TYPICAL RECEPTACLE CAVITY SECTION (DIMENSIONS REFERENCE ONLY)



RECOMMENDED CUT OUT FOR 1.52 MAX THICK PANEL



3-DIMENSIONAL MODEL NTS

2.13	.084	6.73	.265	-	-
1.57	.062	5.08	.200	25.53	1.005
1.52	.060	5.05	.199	19.69	.775
0.38	.015	3.68	.145	16.51	.650
0.25	.010	3.18	.125	12.50	.492
0.13	.005	2.67	.105	12.45	.490
MM	IN	MM	IN	MM	IN

CONVERSION TABLE



THIS DRAWING IS A CONTROLLED DOCUMENT FOR AMP INCORPORATED. IT IS SUBJECT TO CHANGE AND THE CONTROLLING ENGINEERING ORGANIZATION SHOULD BE CONTACTED FOR THE LATEST REVISION.

DO NOT SCALE PRINT. UNLESS SPECIFIED DIMENSIONS IN mm (INCHES) TOLERANCES ON: 2 PLC DEC ± 0.13 3 PLC DEC ± 0.10 ANGLES ± 1°		DR 11-4-93 K. WHITAKER	770326-1 PART NO	
MATERIAL NYLON, UL 94V-2 NATURAL		CHK 11-4-93 R. SWING	AMP AMP Incorporated Harrisburg, PA 17105-3508	
FINISH -		APPD 11-4-93 C. CASH	NAME RECEPTACLE, PANEL MOUNT, 3 CIRCUIT, .062 PIN AND SOCKET	
APPLICATION SPEC -		APPD 11-4-93 C. CASH	SIZE D	CAGE CODE 00779
WEIGHT -		PRODUCT SPEC -	DRAWING NO C-770326	SHEET 1 OF 1
			SCALE 5:1	CUSTOMER DRAWING

A/C BUSHING GROUP 3533 177 34 62 AMP WHITAKER