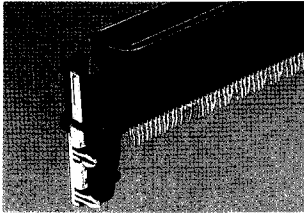


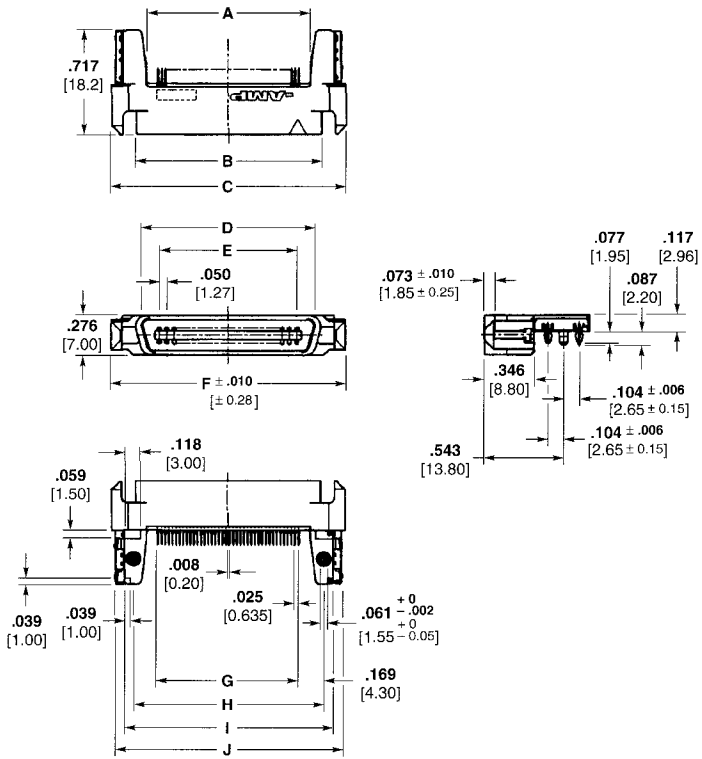
**CHAMP .050 Series I Blindmate,
Single Connector Attachment (SCA-2) for Fibre Channel** (Continued)

**40-Position Plug Assembly,
Blindmate**
Part Number 1123283-5
Part Number 1123283-9
(80-Position)



Material and Finish

Housing — LCP, 94V-0 rated, black
Contacts — Phosphor bronze, plated .000030 [0.00076] min. gold on mating end, .000150 [0.00381] min. tin-lead on solder end, both over .000050 [0.00127] min. nickel underplating

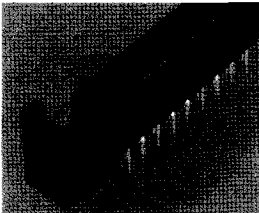


**40-Position Receptacle
Assembly, Vertical Mount**
Part Number 787317-1

(with Polarization Post,
with Solder Tines)

Part Number 796068-1

(with Polarization Post and
Press Fit Tines)

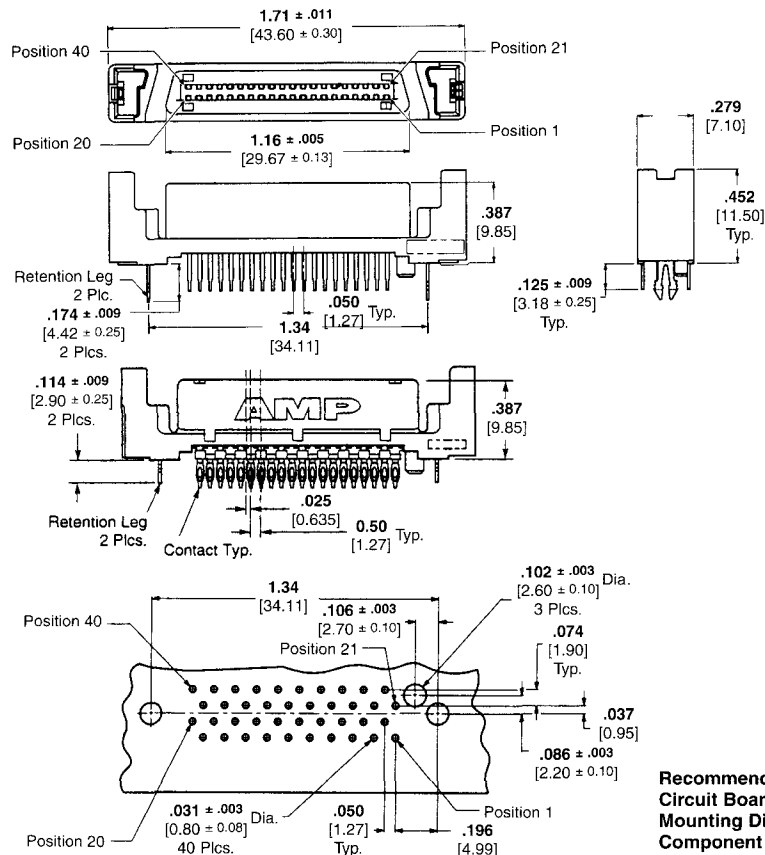


Material and Finish

Housing — Thermoplastic, 94V-0 rated, black
Contacts — Phosphor bronze, plated .000030 [0.00076] min. gold on mating end, .000150 [0.00381] min. tin-lead on solder end, both over .000050 [0.00127] min. nickel underplating

Retention Leg — Brass, plated .000150 [0.00381] min. tin-lead over .000050 [0.00127] min. nickel

Note: Will accept mating PCB .063 [1.60] thick, max.



**Recommended Printed
Circuit Board
Mounting Dimensions –
Component Side**