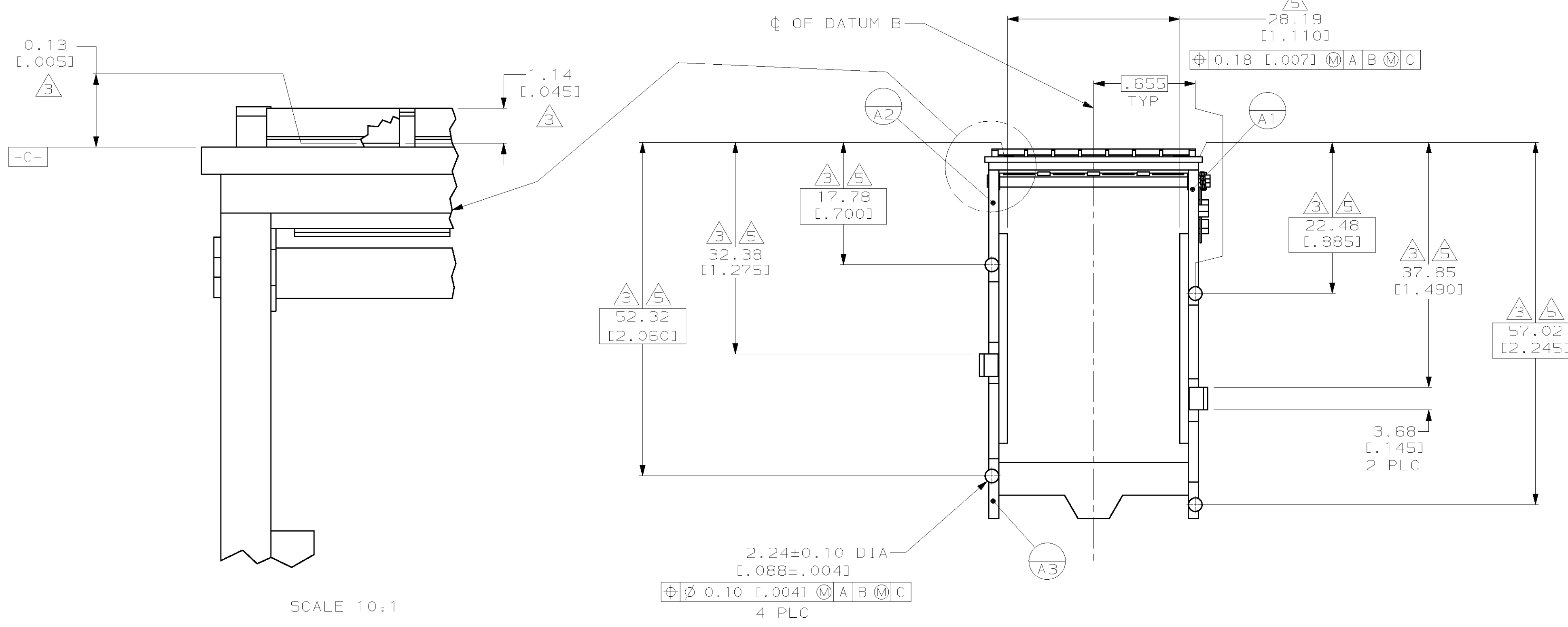
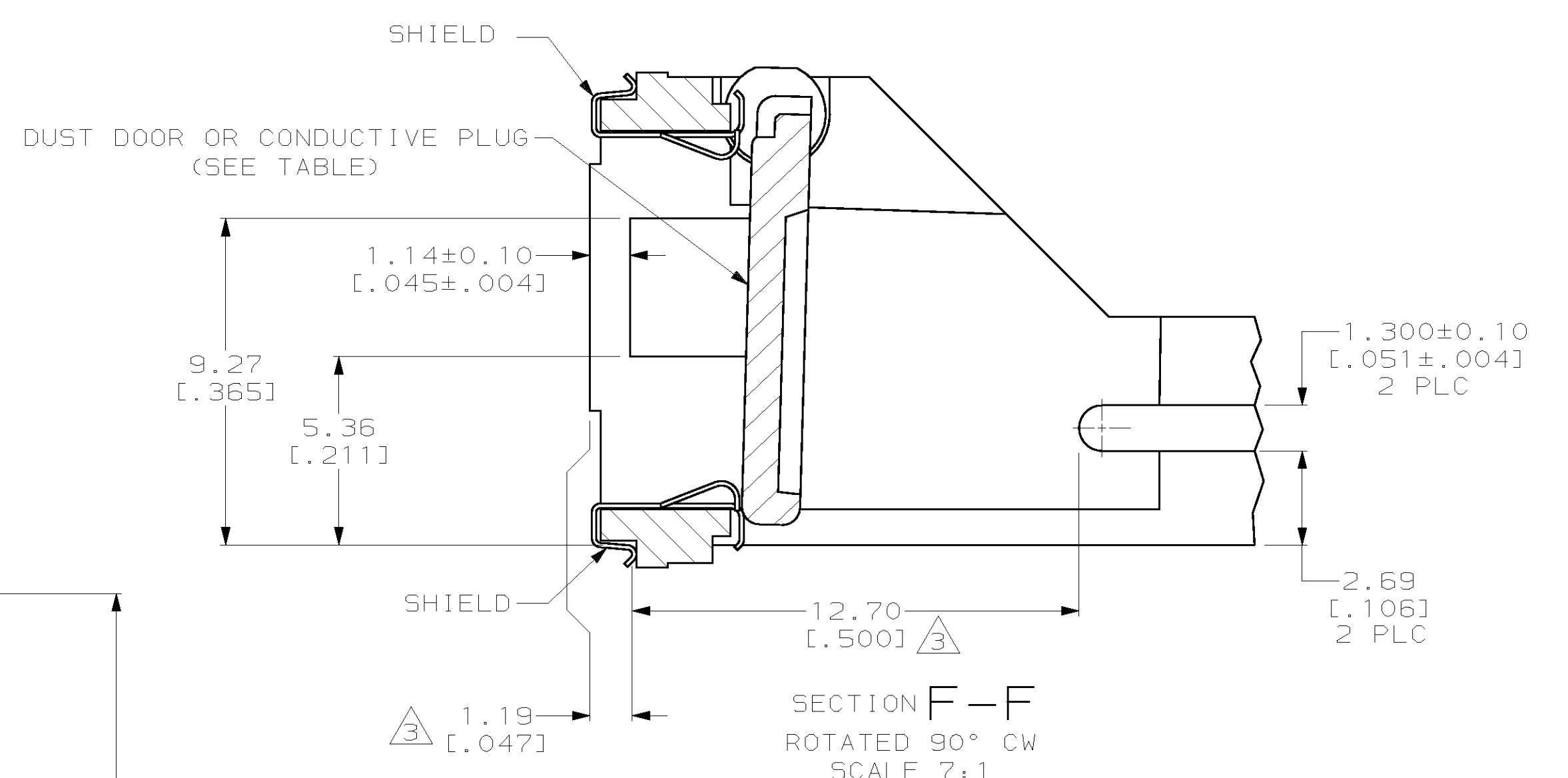
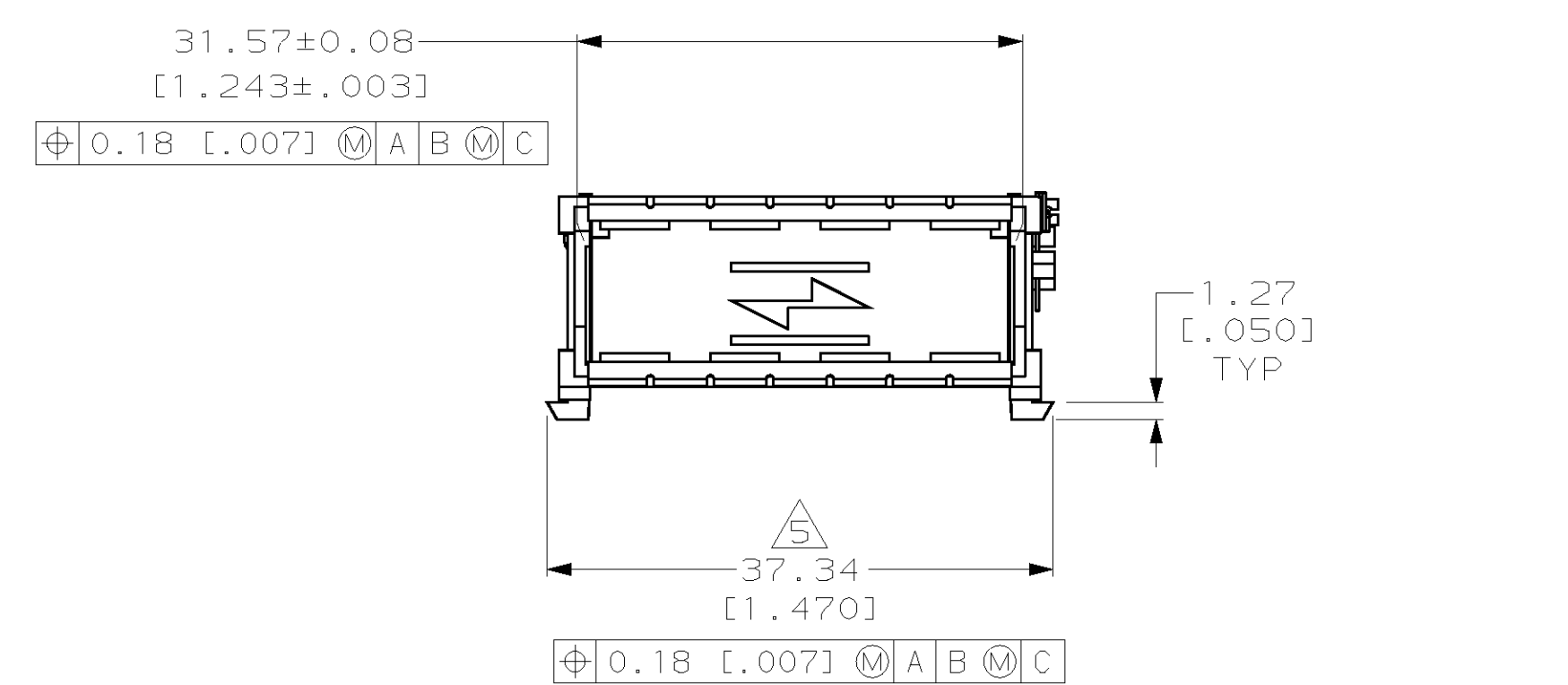
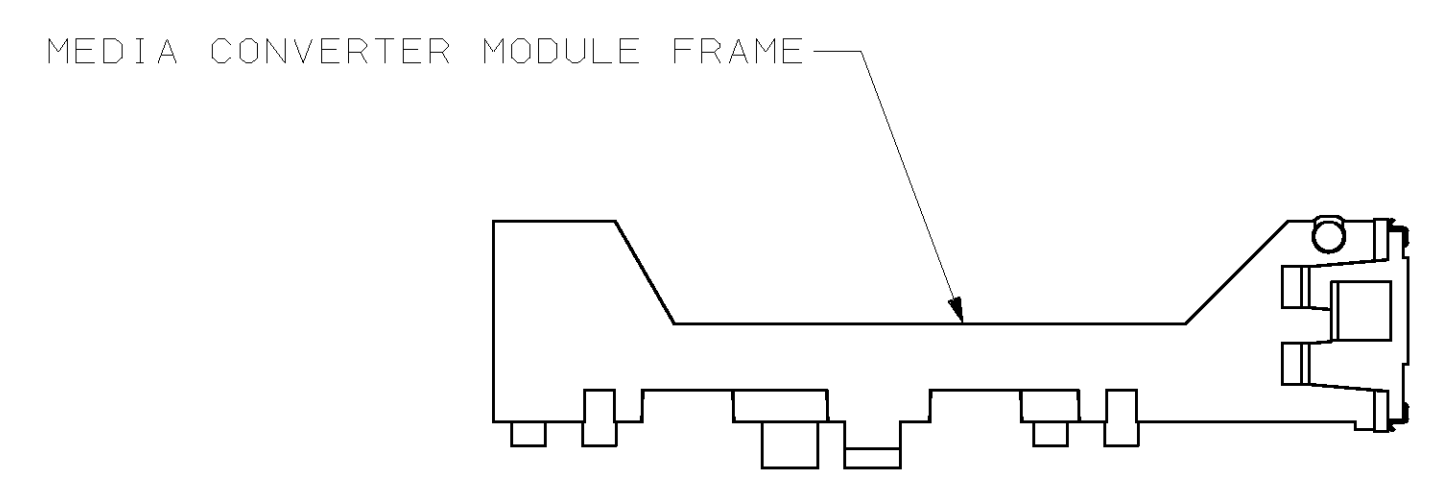
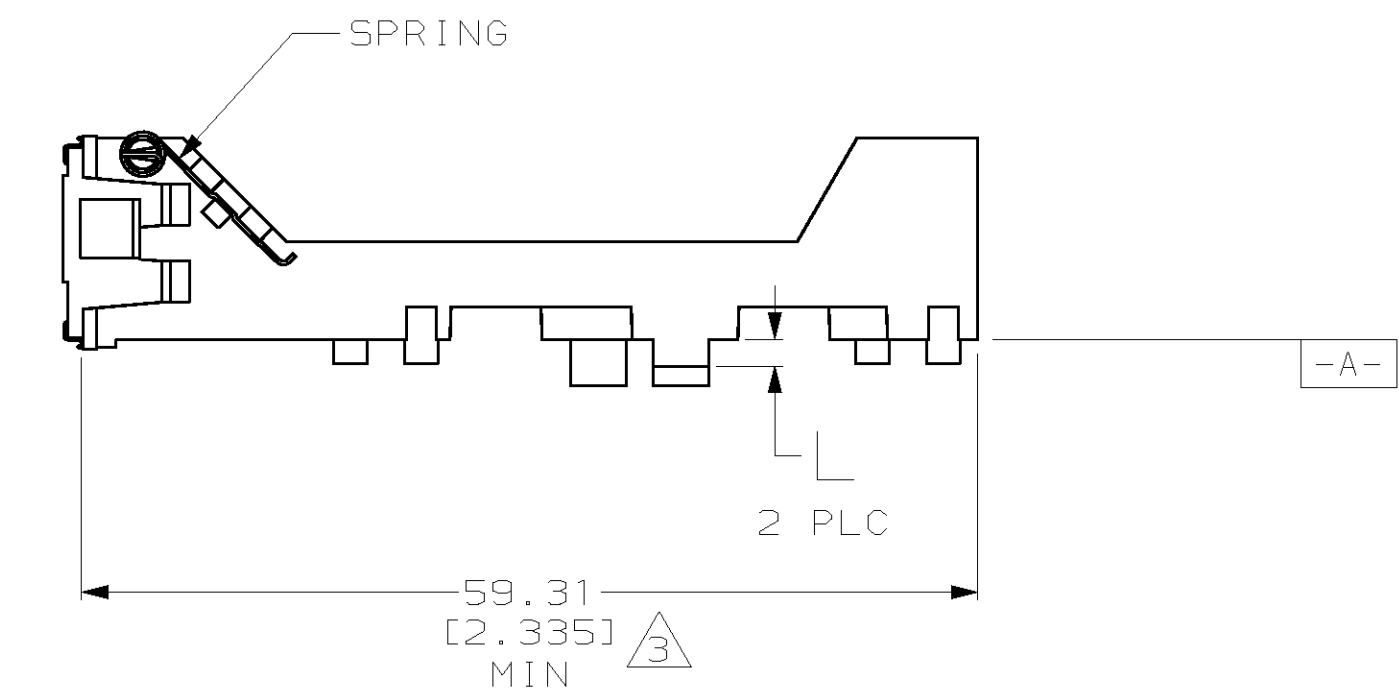
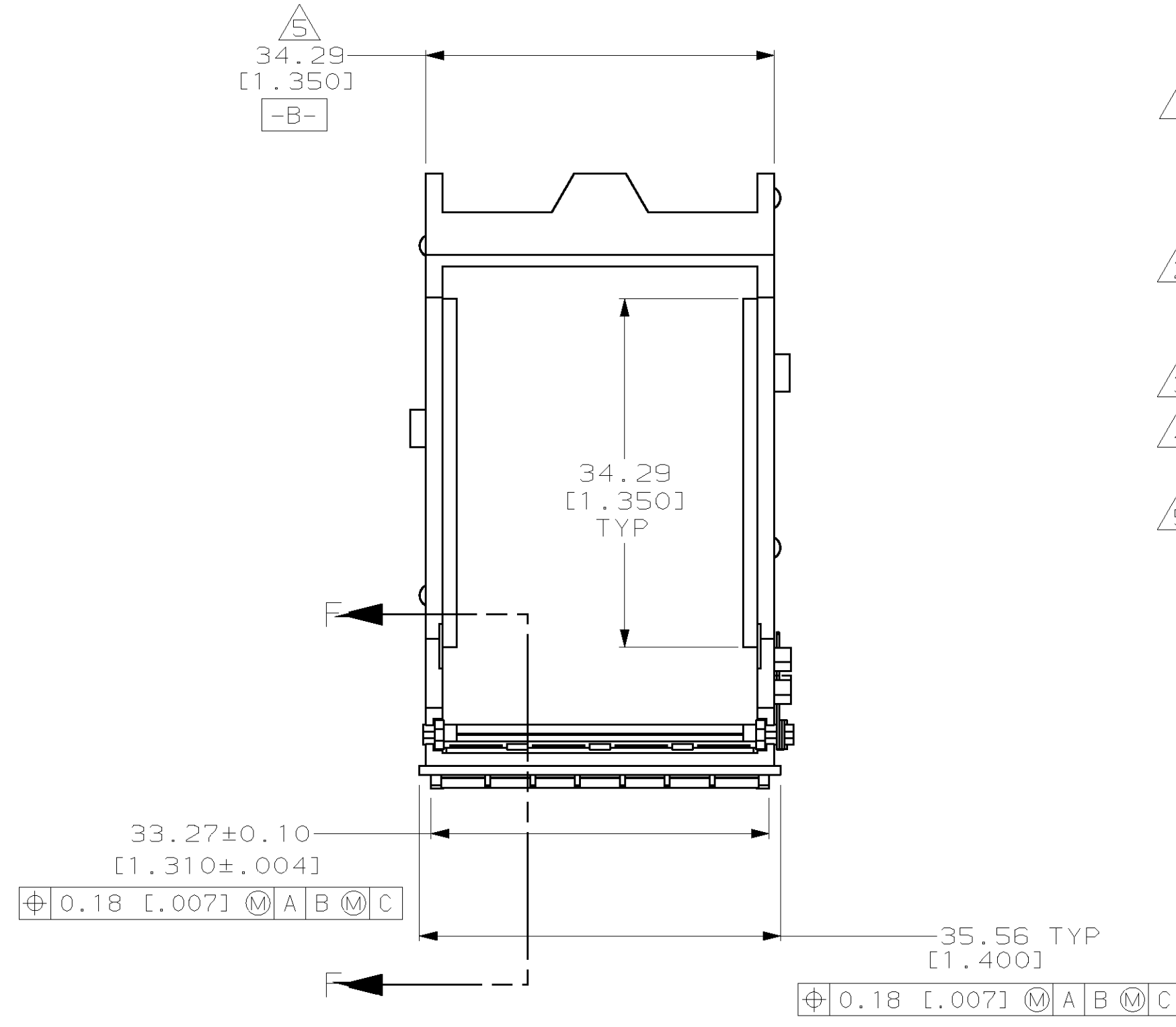


- 1 DUST DOOR: ZINC ALLOY (-3,-4,-5), HTN POLYMER (-6,-7,-8).  
 CONDUCTIVE PLUG: ABS (1-2,1-3,1-4).  
 MEDIA CONVERTER MODULE FRAME: NYLON, BLACK.  
 EMI SHIELD: PHOSPHOR BRONZE.  
 SPRING: STAINLESS STEEL.
- 2 METAL DUST DOOR: 2.54µm [.000100] MIN NICKEL OVER  
 5.08µm [.000200] MIN COPPER.  
 EMI SHIELD: 1.27µm [.000050] MIN NICKEL.
- 3 DIMENSION APPLIES TO FRONT OF SHIELD.
- 4 LOWER EDGE OF PANEL OPENING IS 0.15 [.006]  
 BELOW TOP OF PCB FOR HORIZONTAL APPLICATION.
- 5 DIMENSION APPLIES WHEN ASSEMBLED TO PRINTED  
 CIRCUIT BOARD.

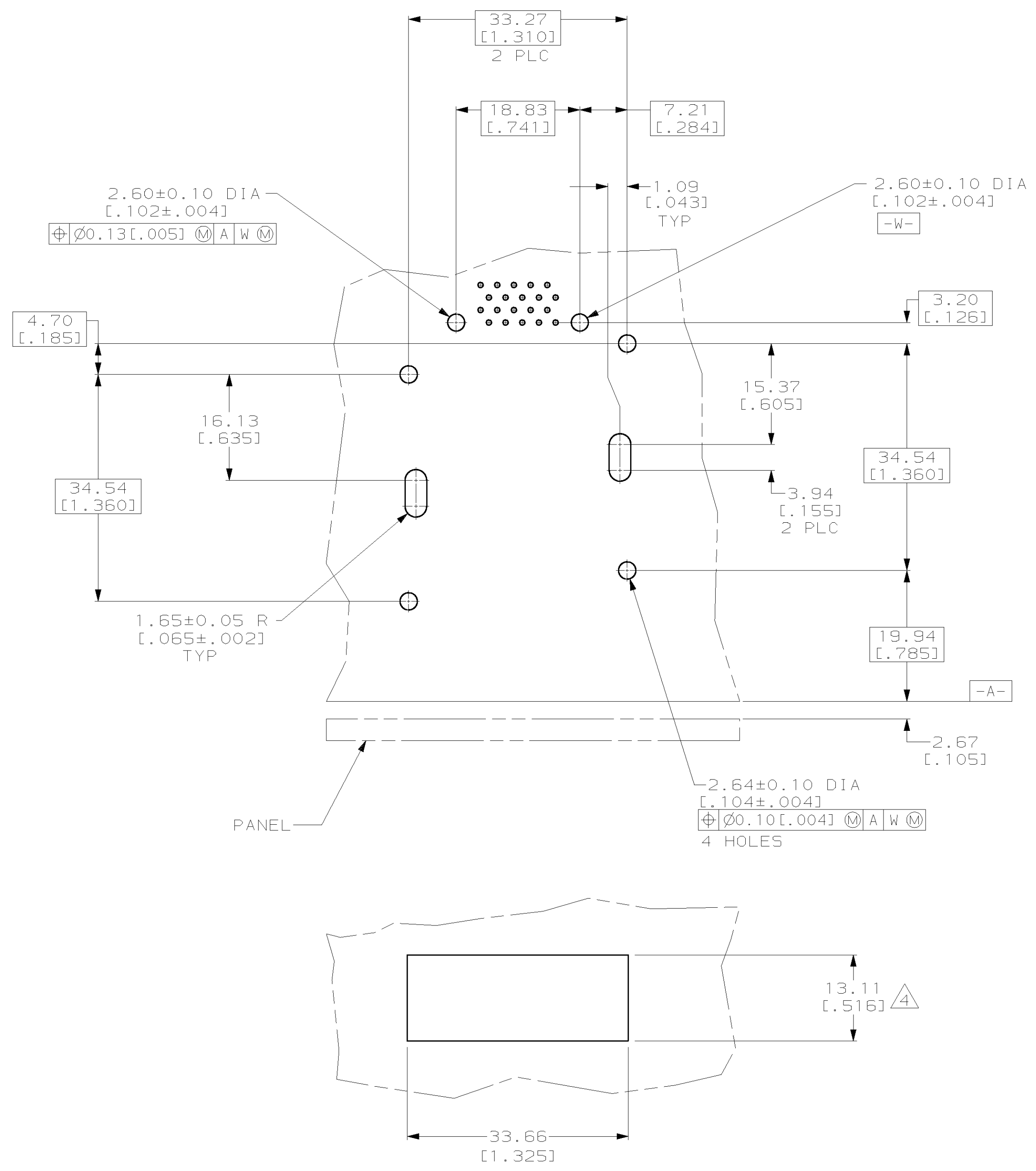


OBSOLETE	CONDUCTIVE PLUG	2.26±0.05 [.089±.002]	1-787663-4
OBSOLETE	CONDUCTIVE PLUG	2.77±0.05 [.109±.002]	1-787663-3
OBSOLETE	CONDUCTIVE PLUG	1.80±0.05 [.071±.002]	1-787663-2
OBSOLETE	NO DOOR OR PLUG	2.26±0.05 [.089±.002]	1-787663-1
OBSOLETE	NO DOOR OR PLUG	2.77±0.05 [.109±.002]	1-787663-0
OBSOLETE	NO DOOR OR PLUG	1.80±0.05 [.071±.002]	787663-9
	PLASTIC DOOR	2.26±0.05 [.089±.002]	787663-8
OBSOLETE	PLASTIC DOOR	2.77±0.05 [.109±.002]	787663-7
	PLASTIC DOOR	1.80±0.05 [.071±.002]	787663-6
	METAL DOOR	2.26±0.05 [.089±.002]	787663-5
	METAL DOOR	2.77±0.05 [.109±.002]	787663-4
	METAL DOOR	1.80±0.05 [.071±.002]	787663-3
OBSOLETE	METAL DOOR	2.77±0.05 [.109±.002]	787663-2
OBSOLETE	METAL DOOR	1.80±0.05 [.071±.002]	787663-1
	DUST DOOR OR CONDUCTIVE PLUG	L	PART NUMBER

SCALE 10:1

THIS DRAWING IS UNPUBLISHED. IT IS SUBJECT TO CHANGE AND THE CONTROLLING ENGINEERING ORGANIZATION SHALL BE ADVISED FOR THE LATEST REVISION.		DWG: C. OBERMAN 11 APR 96 CHK: R. STONE 15 APR 96 PRD: J. SWANK 17 APR 96 NAME:	<b>AMP</b> AMP Incorporated Harrisburg, PA 17105-3608
DIMENSIONS: mm (INCHES)	TOLERANCES UNLESS OTHERWISE SPECIFIED: Ø PLC ±.005 1 PLC ±.005 2 PLC ±.005 3 PLC ±.005 4 PLC ±.005 ANGLES ±.005	PRODUCT SPEC:	APPLICATION SPEC:
MATERIAL:	FINISH:	HEIGHT:	CUSTOMER DRAWING:
GUIDE ASSEMBLY, MEDIA CONVERTER MODULE, CHAMP BLINDMATE		SIZE: A1 CAGE CODE: 00779 DRAWING NO: C-787663	SCALE: 2:1 SHEET: 12 REV: I

LOC		DIST		REVISIONS			
GP	00	TR	LYR	DESCRIPTION	DATE	OWN	APPRO
		T		SEE SHEET 1	-	-	-



RECOMMENDED HOST CARD FOOTPRINT/PANEL CUTOUT

<small>THIS DRAWING IS A CONTROLLED DOCUMENT AND ANY DIMENSIONS                  IT IS SUBJECT TO CHANGE AND THE CONTROLLING ENGINEERING                  REGULATION SHOULD BE CONTACTED FOR THE LATEST REVISION.</small>		DWN C. OBERMAN 11 APR 96 CHK R. STONE 15 APR 96 DFD J. SWANK 17 APR 96	<b>AMP</b> AMP Incorporated Harrisburg, PA 17105-3608
DIMENSIONS: mm (INCHES)	TOLERANCES UNLESS OTHERWISE SPECIFIED:	PRODUCT SPEC APPLICATION SPEC HEIGHT	SIZE CAGE CODE DRAWING NO. A1 00779 C-787663
MATERIAL	FINISH	CUSTOMER DRAWING	SCALE 2:1 SHEET 22 OF 22 REV 1