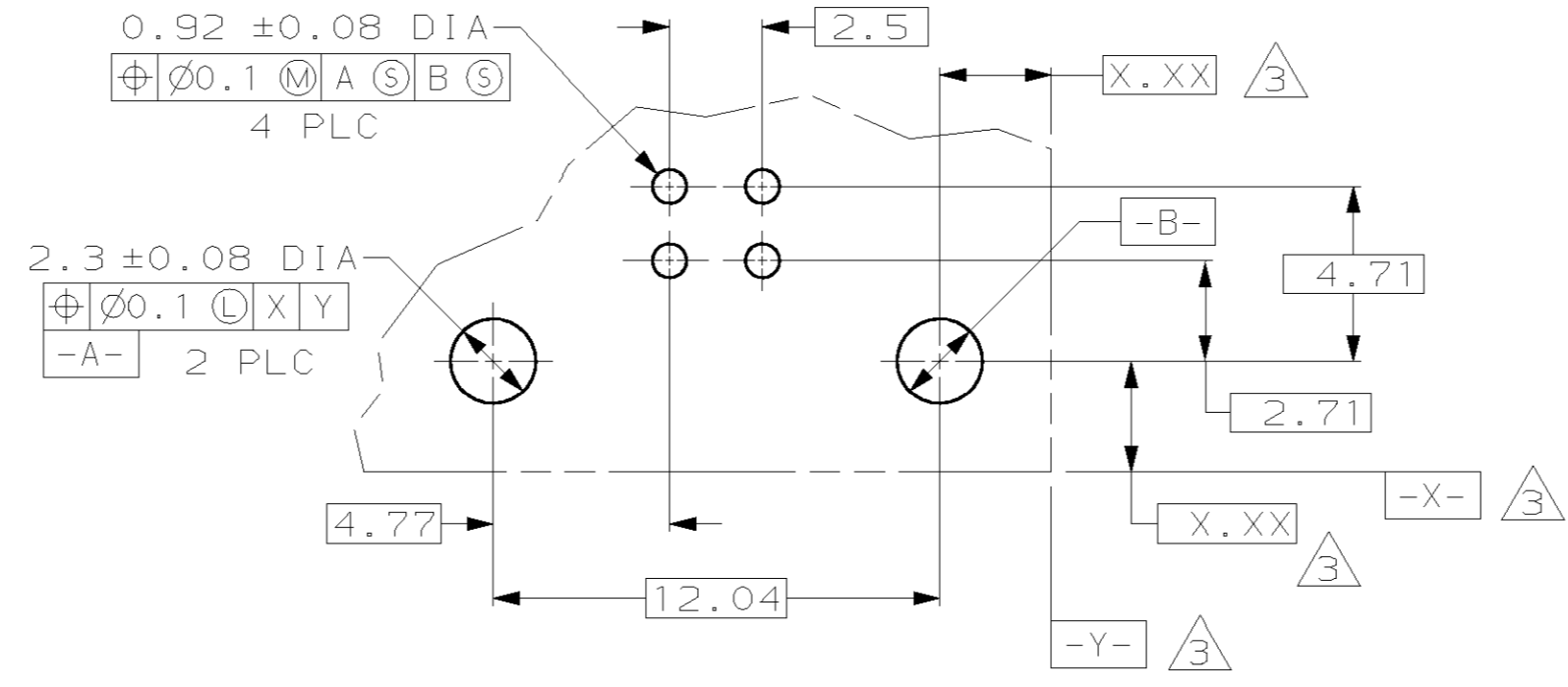
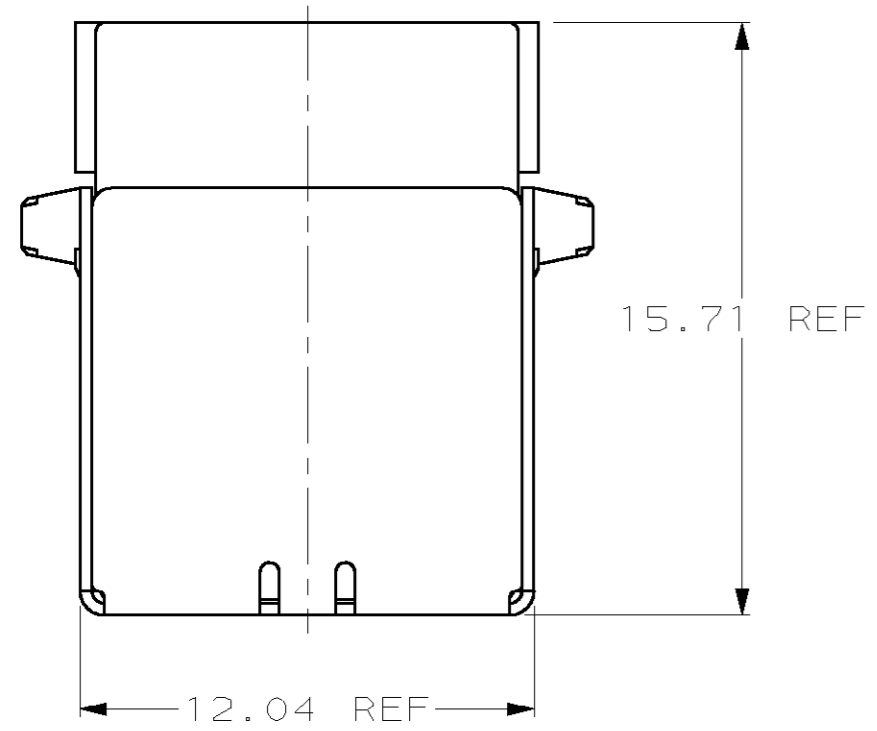
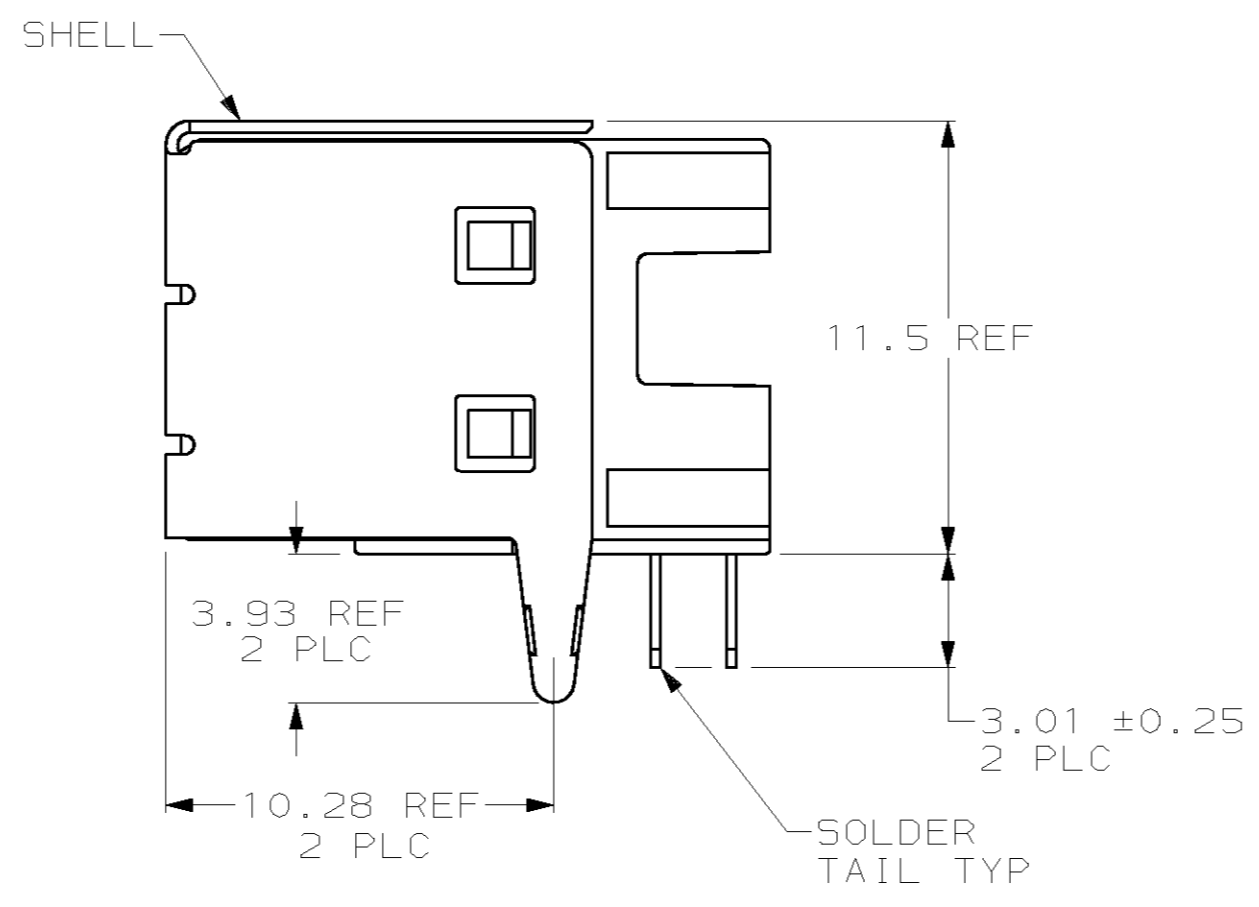
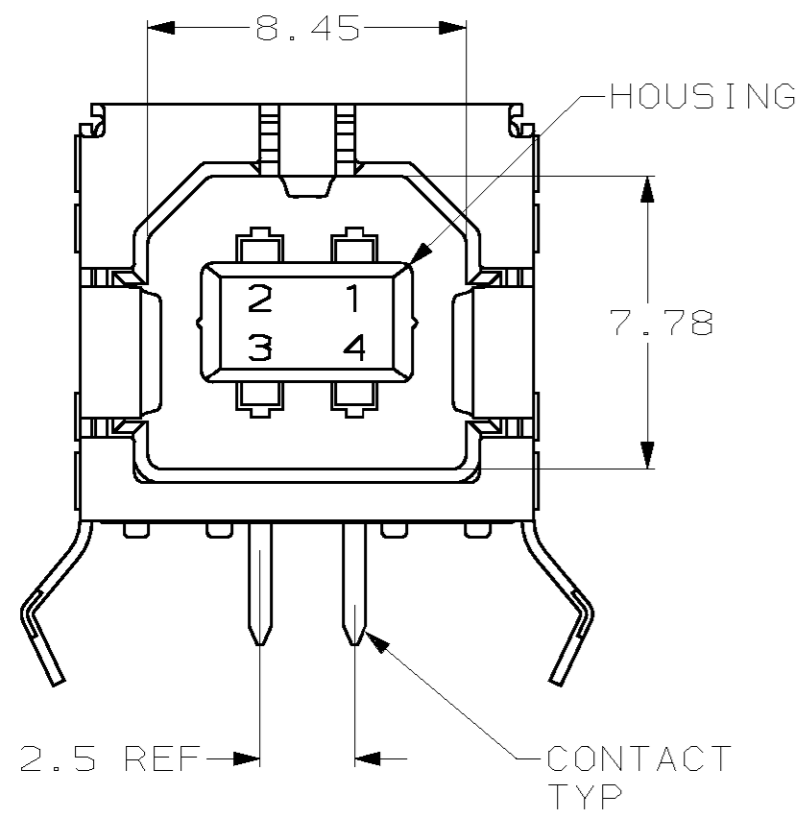


THIS DRAWING IS UNPUBLISHED. RELEASED FOR PUBLICATION .19
 BY AMP INCORPORATED. ALL RIGHTS RESERVED.

LOC		DIST		REVISIONS			
BD	39	P	LTR	DESCRIPTION	DATE	DWN	APVD
		E		REVISED PER EC 051A-0156-00	19JUN00	JG	RW



PC BOARD MOUNTING DIMENSIONS $\Delta 4$



- $\Delta 1$ MATERIAL:
SHELL & CONTACTS: COPPER ALLOY.
HOUSING: UL 94V-0 RATED, THERMOPLASTIC, BLACK.
- $\Delta 2$ PLATING:
CONTACTS: 0.076 μ m MINIMUM GOLD OVER 0.76 μ m MINIMUM PALLADIUM-NICKEL ON MATING AREA.
3.8 μ m MINIMUM TIN-LEAD ON SOLDER TAILS.
BOTH OVER 1.27 μ m MINIMUM NICKEL.
CONTACT ALTERNATE PLATING: 0.76 μ m MIN GOLD ON MATING AREA, 3.8 μ m MIN TIN-LEAD ON SOLDER TAILS, BOTH OVER 1.27 μ m MIN NICKEL.
SHELL: 5.1 μ m MINIMUM TIN.
- $\Delta 3$ DATUM AND BASIC DIMENSIONS ESTABLISHED BY CUSTOMER.
- $\Delta 4$ RECOMMENDED PC BOARD THICKNESS OF 1.57.
- $\Delta 5$ PLATING:
CONTACTS: 0.76 μ m MINIMUM GOLD ON MATING AREA, 3.8 μ m MINIMUM TIN-LEAD ON SOLDER TAILS, BOTH OVER 1.27 μ m MINIMUM NICKEL.
SHELL: 5.1 μ m MINIMUM TIN.
- $\Delta 6$ PLATING:
CONTACTS: 0.38 μ m MINIMUM GOLD ON MATING AREA, 3.8 μ m MINIMUM TIN-LEAD ON SOLDER TAILS, BOTH OVER 1.27 μ m MINIMUM NICKEL.
SHELL: 5.1 μ m MINIMUM TIN.

$\Delta 6$	NO	BLACK	787780-5
$\Delta 5$	NO	BLACK	787780-4
$\Delta 2$	YES	BLACK	787780-3
$\Delta 2$	YES	NATURAL	787780-2
$\Delta 2$	NO	BLACK	787780-1
PLATING	HIGH TEMPERATURE COMPATIBLE	HOUSING COLOR	PART NUMBER

<small>THIS DRAWING IS A CONTROLLED DOCUMENT FOR AMP INCORPORATED. IT IS SUBJECT TO CHANGE AND THE CONTROLLING ENGINEERING ORGANIZATION SHOULD BE CONTACTED FOR THE LATEST REVISION.</small>		DWN M.E.SHIRK 30 AUG 95 CHK WAYNE DAVIS 31 AUG 95 APVD R. WALTER 18 JUN 96	AMP AMP Incorporated Harrisburg, PA 17105-3608
DIMENSIONS: mm 	TOLERANCES UNLESS OTHERWISE SPECIFIED: 0 PLC ±- 1 PLC ±- 2 PLC ±0.1 3 PLC ±- 4 PLC ±- ANGLES ±- FINISH $\Delta 2$	PRODUCT SPEC APPLICATION SPEC WEIGHT -	RECEPTACLE ASSEMBLY, RIGHT ANGLE, 4 POSITION, THRU-HOLE, TYPE B, UNIVERSAL SERIAL BUS SIZE A2 CAGE CODE 00779 DRAWING NO C-787780
MATERIAL $\Delta 1$	CUSTOMER DRAWING		SCALE 5:1 SHEET 1 OF 1 REV E

787780