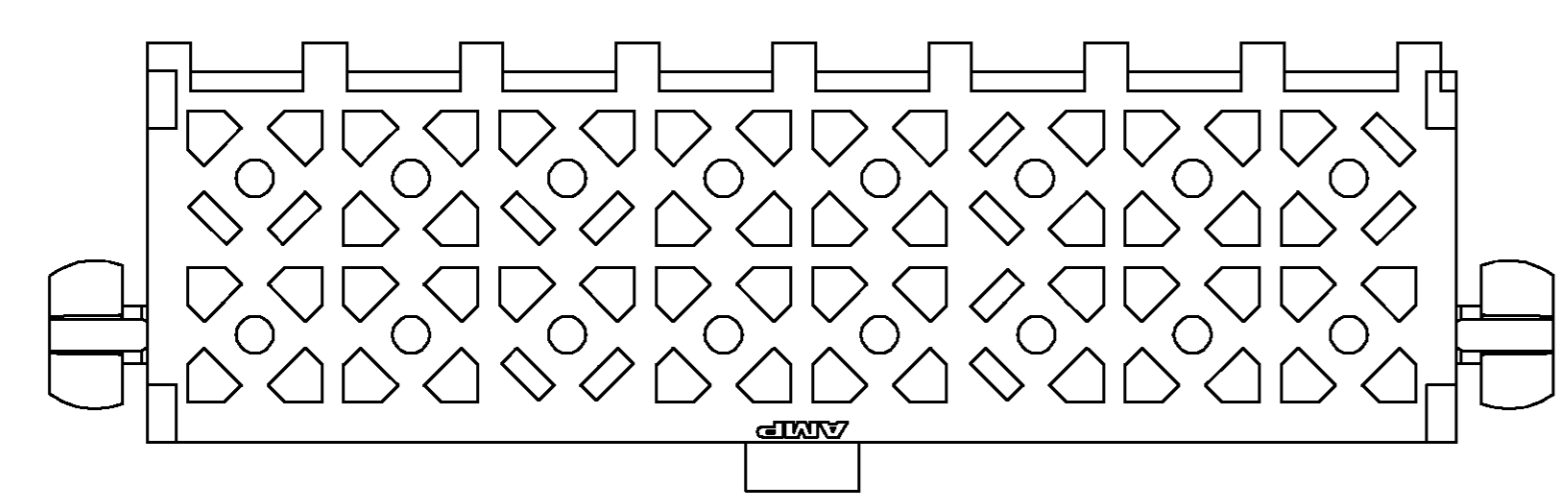
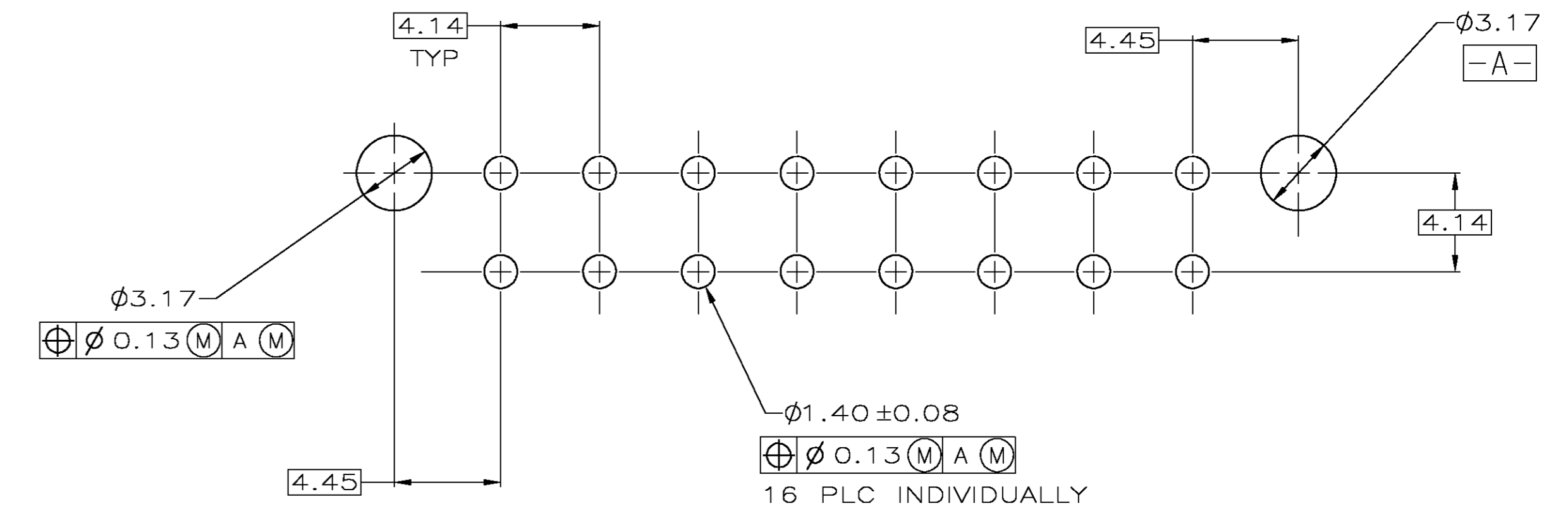
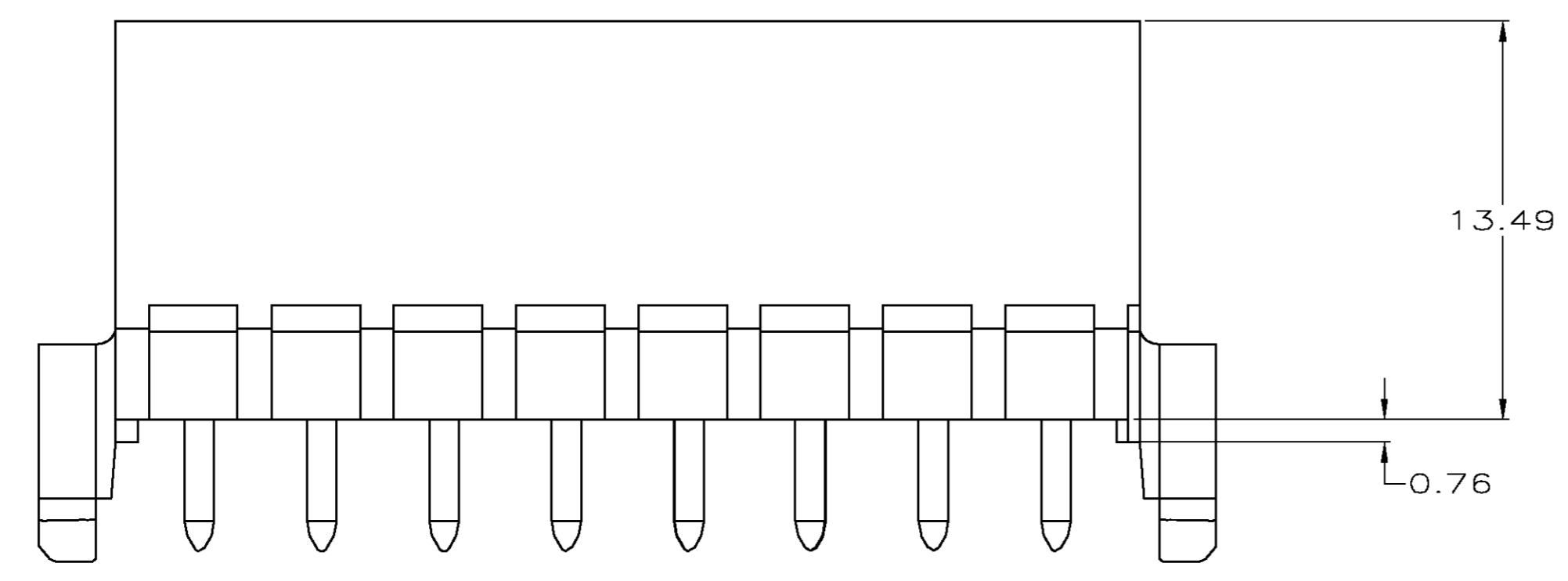
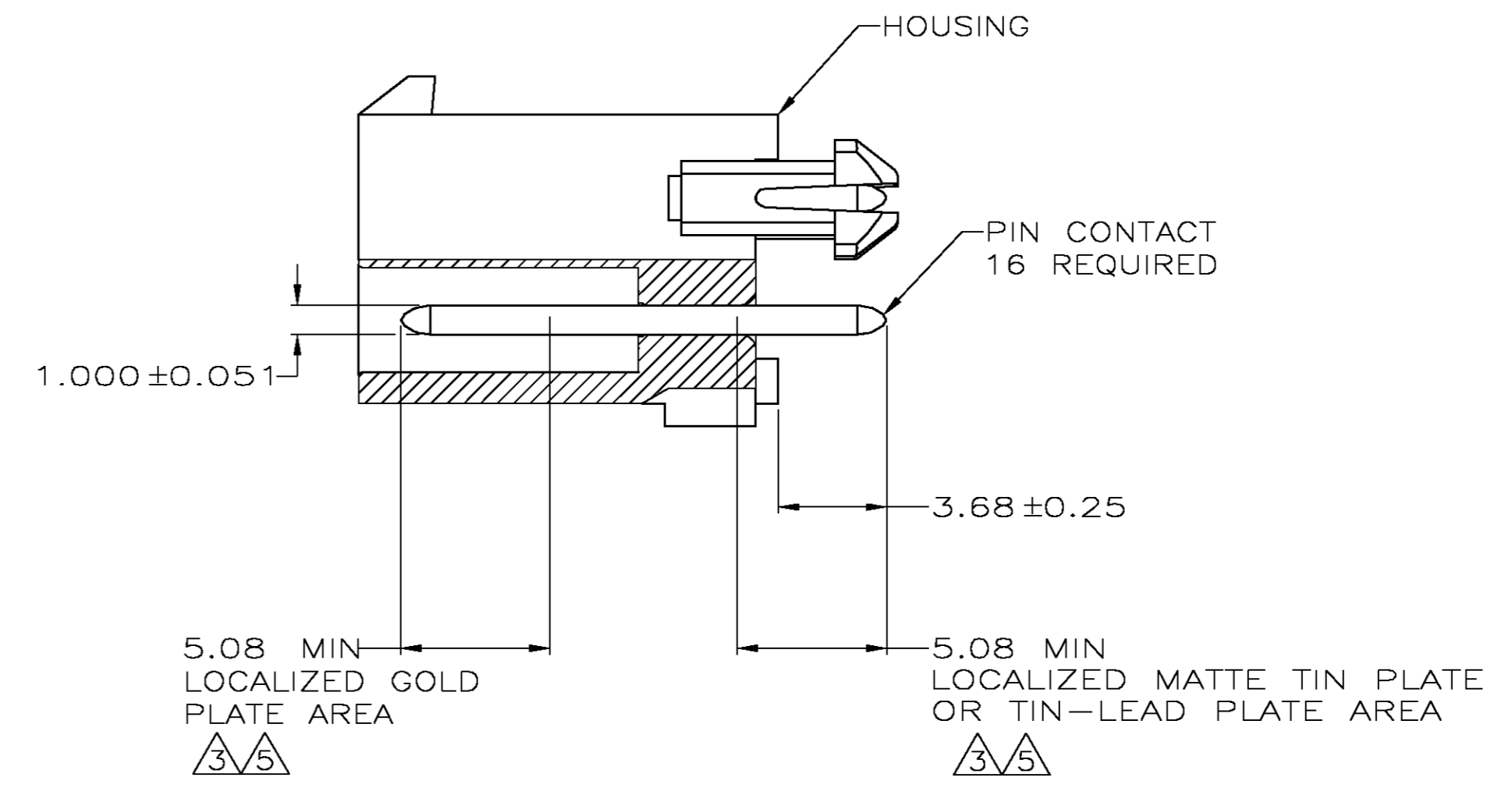
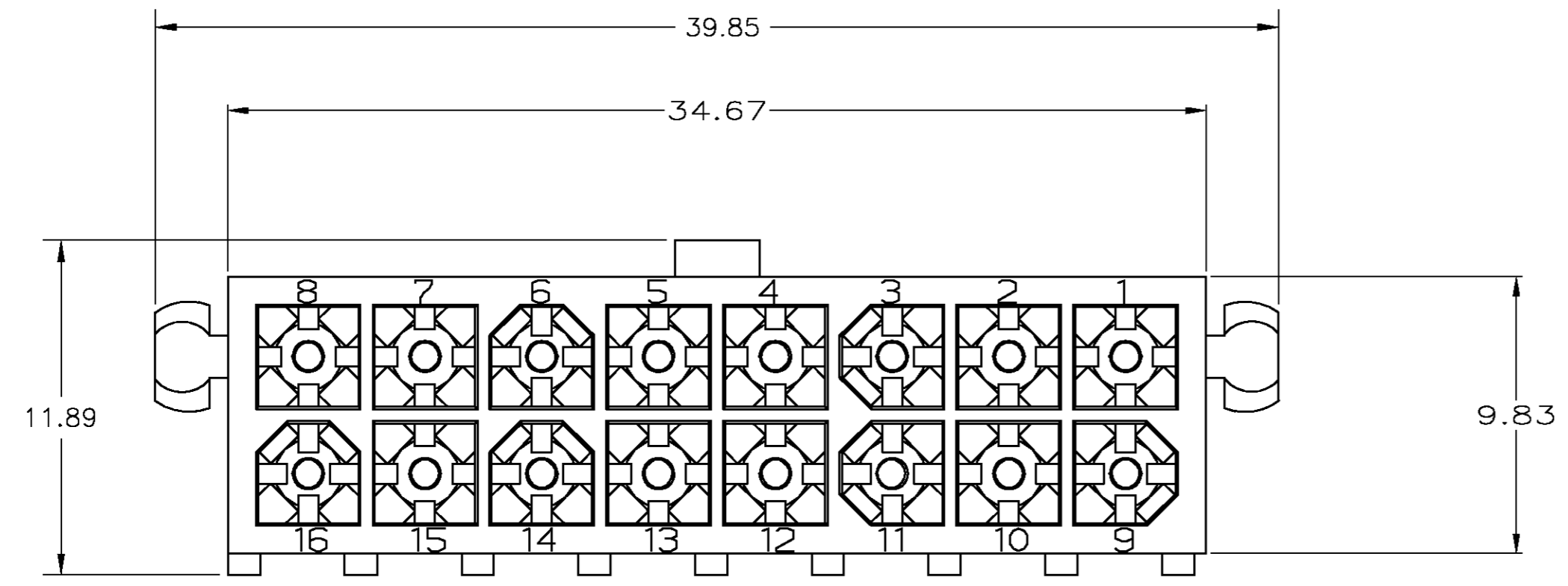


LOC		DIST		REVISIONS			
F	L/R	DESCRIPTION	DATE	DRN	APPD		
E		REVISED PER 0638-0211-05	6/9/05	SS	RJ		

- PINS TO COMPLY WITH AMP SOLDERABILITY SPEC. 108-11-3.
- 0.00381 MIN MATTE TIN LEAD OVER 0.00127 MIN NICKEL.
- 0.00076 MIN GOLD PLATE IN THE LOCALIZED PLATE AREA, 0.00381 MATTE TIN LEAD IN THE LOCALIZED PLATE AREA, BOTH OVER 0.00127 MIN NICKEL.
- 0.00381 MIN MATTE TIN OVER 0.00127 MIN NICKEL.
- 0.00076 MIN GOLD PLATE IN THE LOCALIZED PLATE AREA, 0.00381 MATTE TIN IN THE LOCALIZED PLATE AREA, BOTH OVER 0.00127 MIN NICKEL.



MATERIAL	FINISH	MATERIAL	COLOR	PART NO.
BRASS, GOLD	5	NYLON, UL94V-0	WHITE	1-794068-1
BRASS, TIN	4	NYLON, UL94V-0	WHITE	1-794068-0
BRASS, GOLD	3	NYLON, UL94V-0	WHITE	794068-2
BRASS, TIN-LEAD	2	NYLON, UL94V-0	WHITE	794068-1

THIS DRAWING IS A CONTROLLED DOCUMENT.

DRN: S CARPENTER	09JUN05		Tyco Electronics Corporation
CHK: R JONES	29JUL2003		Harrisburg, Pa 17105-3608
APPD: R JONES	29JUL2003	NAME:	HEADER ASSEMBLY, 16 CKT, DOUBLE ROW VERTICAL, MINI UNIVERSAL MATE-N-LOK
PRODUCT SPEC:		SIZE:	A1
APPLICATION SPEC:		CAGE CODE:	00779
WEIGHT:		DRAWING NO:	794068
CUSTOMER DRAWING		SCALE:	5:1
		SHEET:	1 OF 1
		REV:	E