

Distributed by:

JAMECO[®]
ELECTRONICS

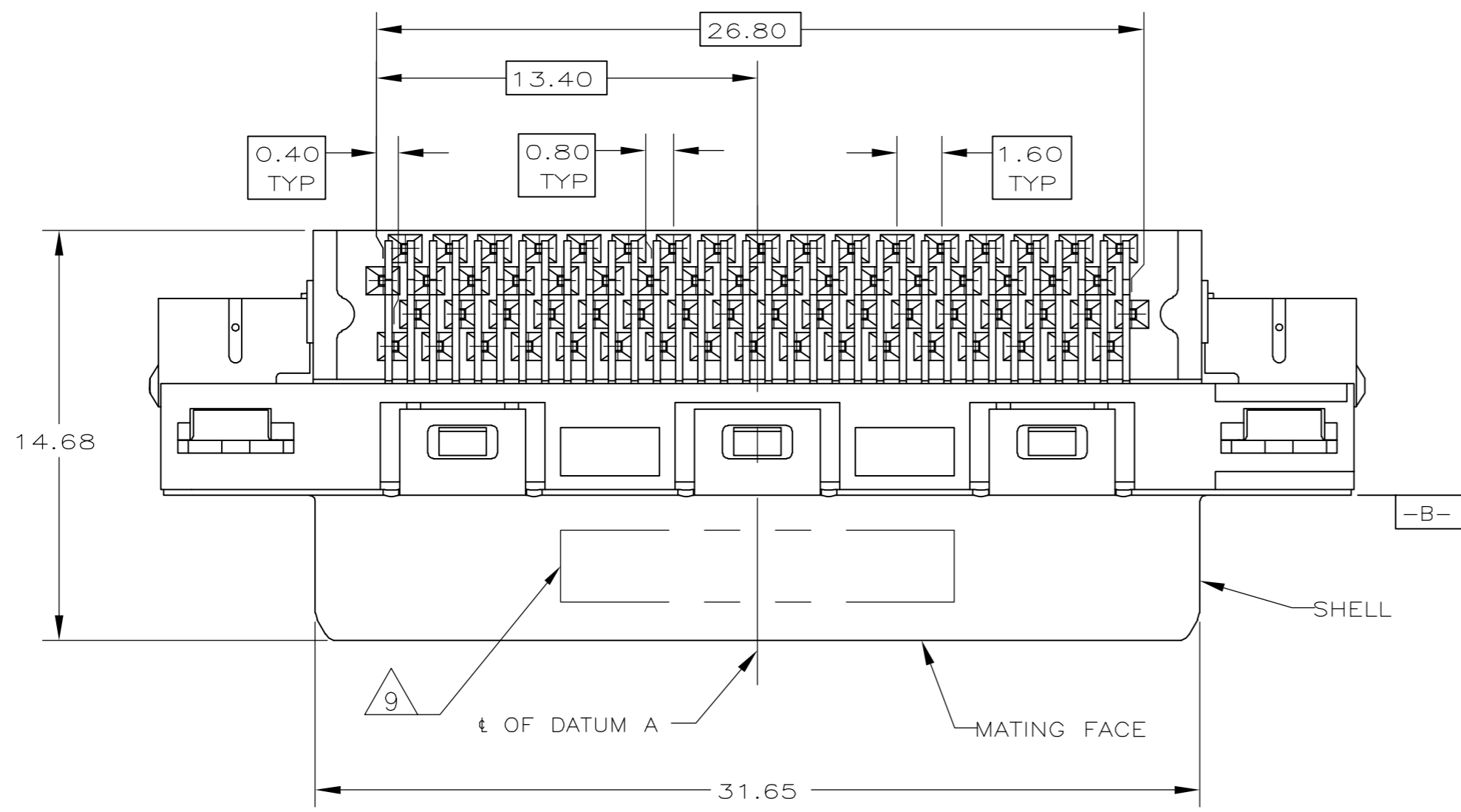
www.Jameco.com ♦ 1-800-831-4242

The content and copyrights of the attached
material are the property of its owner.

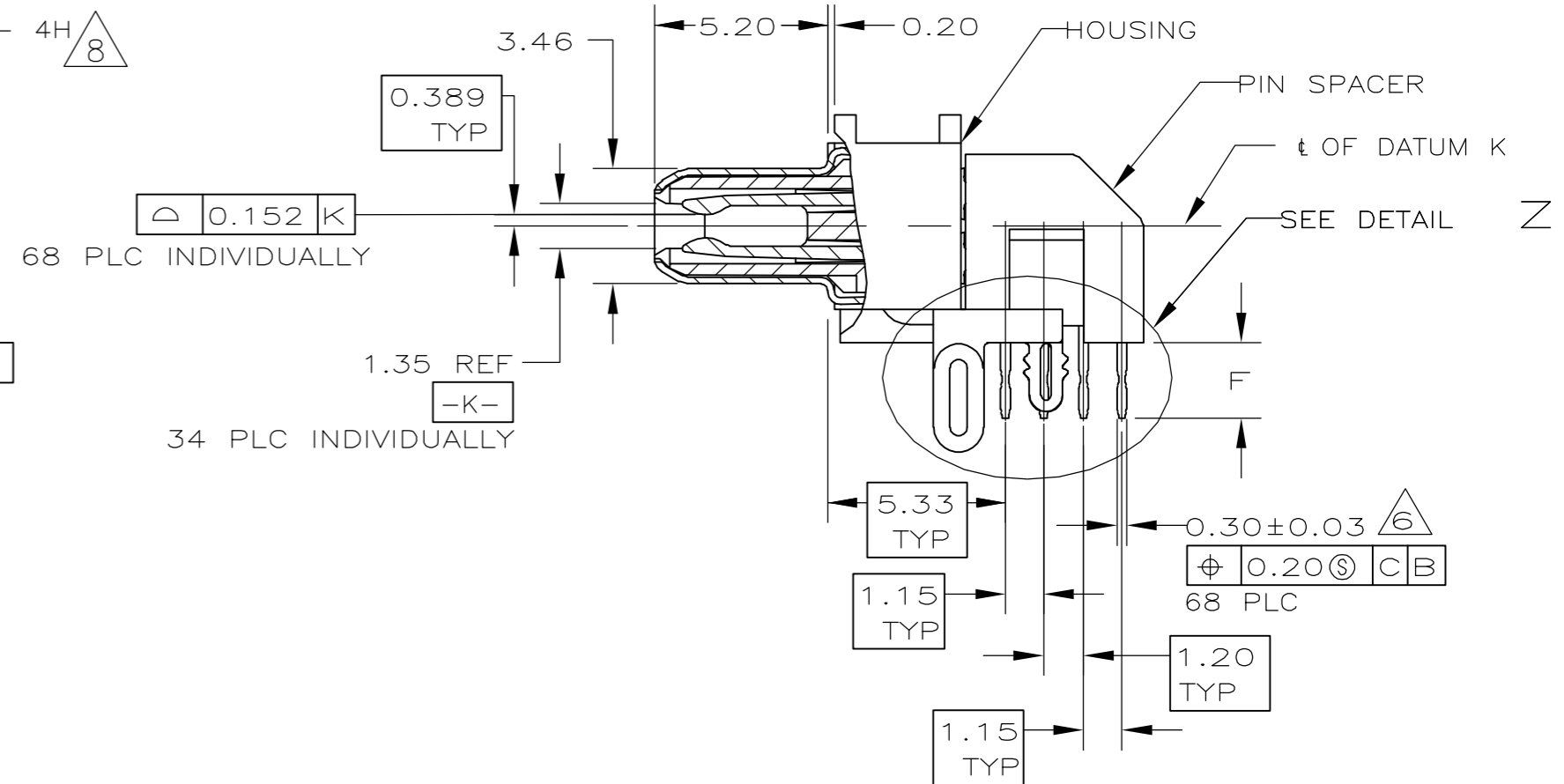
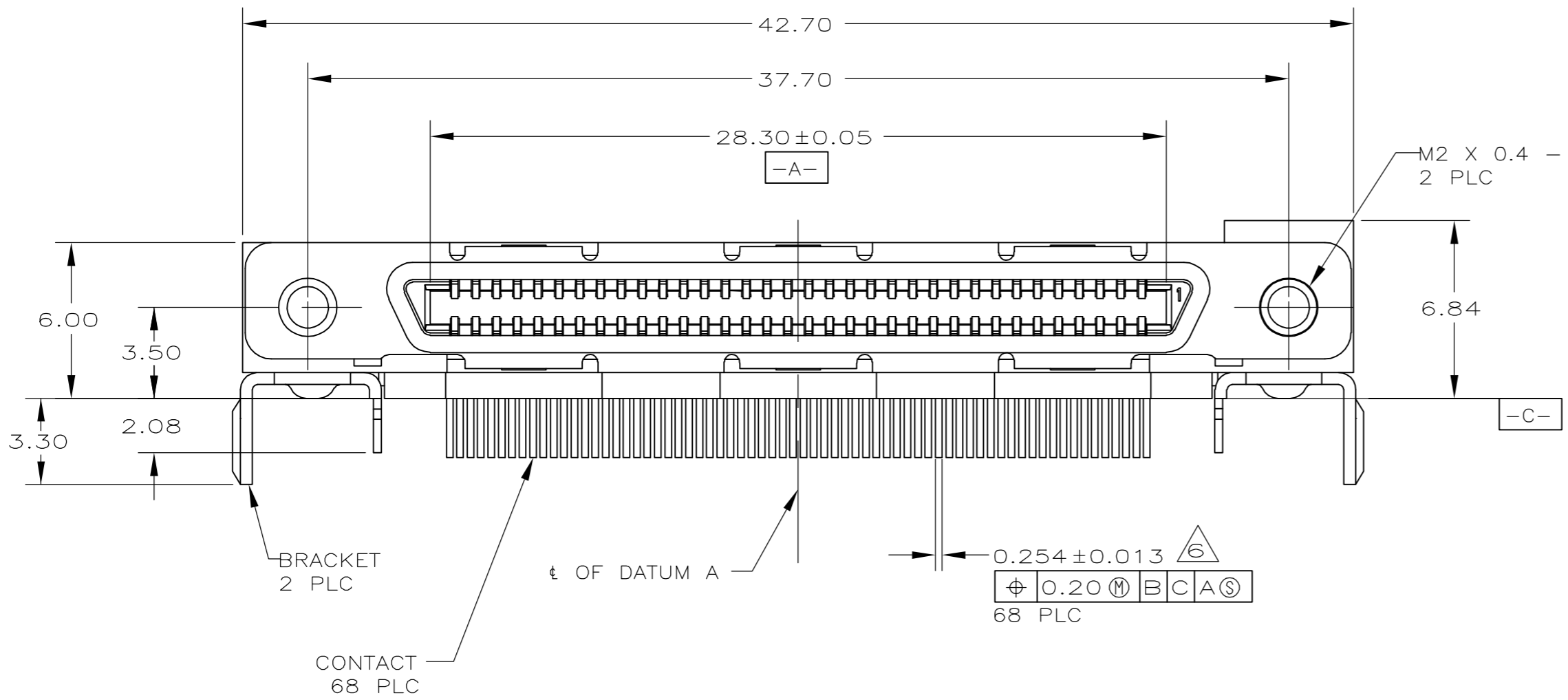
Jameco Part Number 840430

THIS DRAWING IS UNPUBLISHED. RELEASED FOR PUBLICATION
 © COPYRIGHT BY TYCO ELECTRONICS CORPORATION. ALL RIGHTS RESERVED.

| LOC | | DIST | | REVISIONS | | | |
|-----|-----|-------------|---------------------------|-----------|-----|------|--|
| P | LTR | DESCRIPTION | | DATE | DWN | APVD | |
| GP | 00 | N | REVISED PER ECO-05-010789 | 24JUL06 | BM | SS | |



- 1 HOUSING & PIN SPACER: THERMOPLASTIC, BLACK, UL 94V-0 RATED. SHELL: CARBON STEEL. CONTACTS: PHOSPHOR BRONZE. BRACKETS: STEEL.
- 2 SHELL: 5.08 μm MIN NICKEL OVER 2.54 μm MIN COPPER. CONTACTS: 0.76 μm MIN GOLD ON MATING END, 3.75 MIN TIN-LEAD ON SOLDER TAILS, BOTH OVER 1.27 μm MIN NICKEL ON ENTIRE CONTACT. BRACKETS: TIN PLATED.
- 3 CONTACTS DESIGNED FOR USE ON 1.60±0.15 THICK PC BOARD WITH PLATED THRU MOUNTING HOLES.
- 4 RECEPTACLE ASSEMBLY DESIGNED FOR USE WITH 1.12±0.08 THICK PANEL.
- 5 DATUMS AND DIMENSIONS ESTABLISHED BY CUSTOMER.
- 6 POSITION TOLERANCE APPLIES AT CONTACT TIP ONLY.
- 7 CONTACTS DESIGNED FOR USE ON 2.35±0.15 THICK PC BOARD WITH PLATED THRU MOUNTING HOLES.
- 8 MAXIMUM TORQUE 0.45 N-M.
- 9 DATE CODE MARKED IN APPROXIMATE AREA SHOWN.



SUPERSEDED BY 796055-1

| REVISIONS | DATE | PART NUMBER |
|-----------|------|-------------|
| 3 | 2.27 | 796055-3 |
| 7 | 3.55 | 796055-2 |
| 3 | 2.27 | 796055-1 |
| REMARKS | F | PART NUMBER |

| | | | | |
|--|-------------|-------------------------|---|-----------------|
| THIS DRAWING IS A CONTROLLED DOCUMENT. | | DWN T.SHUEY 09MAR05 | Tyco Electronics Corporation Harrisburg, PA 17105-3608 | |
| DIMENSIONS: mm | | CHK J.GERACE 09MAR05 | NAME | |
| TOLERANCES UNLESS OTHERWISE SPECIFIED: | | APVD M.WALMSLEY 09MAR05 | PRODUCT SPEC | |
| 0 PLC ± - | 1 PLC ± - | 108-1471-1 | | |
| 2 PLC ± 0.13 | 3 PLC ± - | APPLICATION SPEC | | |
| 4 PLC ± - | ANGLES ± 1° | 114-6057 | | |
| MATERIAL 1 | FINISH 2 | WEIGHT - | SIZE A2 | CAGE CODE 00779 |
| CUSTOMER DRAWING | | SCALE 5:1 | DRAWING NO C=796055 | RESTRICTED TO - |
| | | SHEET 1 of 2 | REV N | |

